

DOG PARK EXISTING AND PROPOSED GRADES

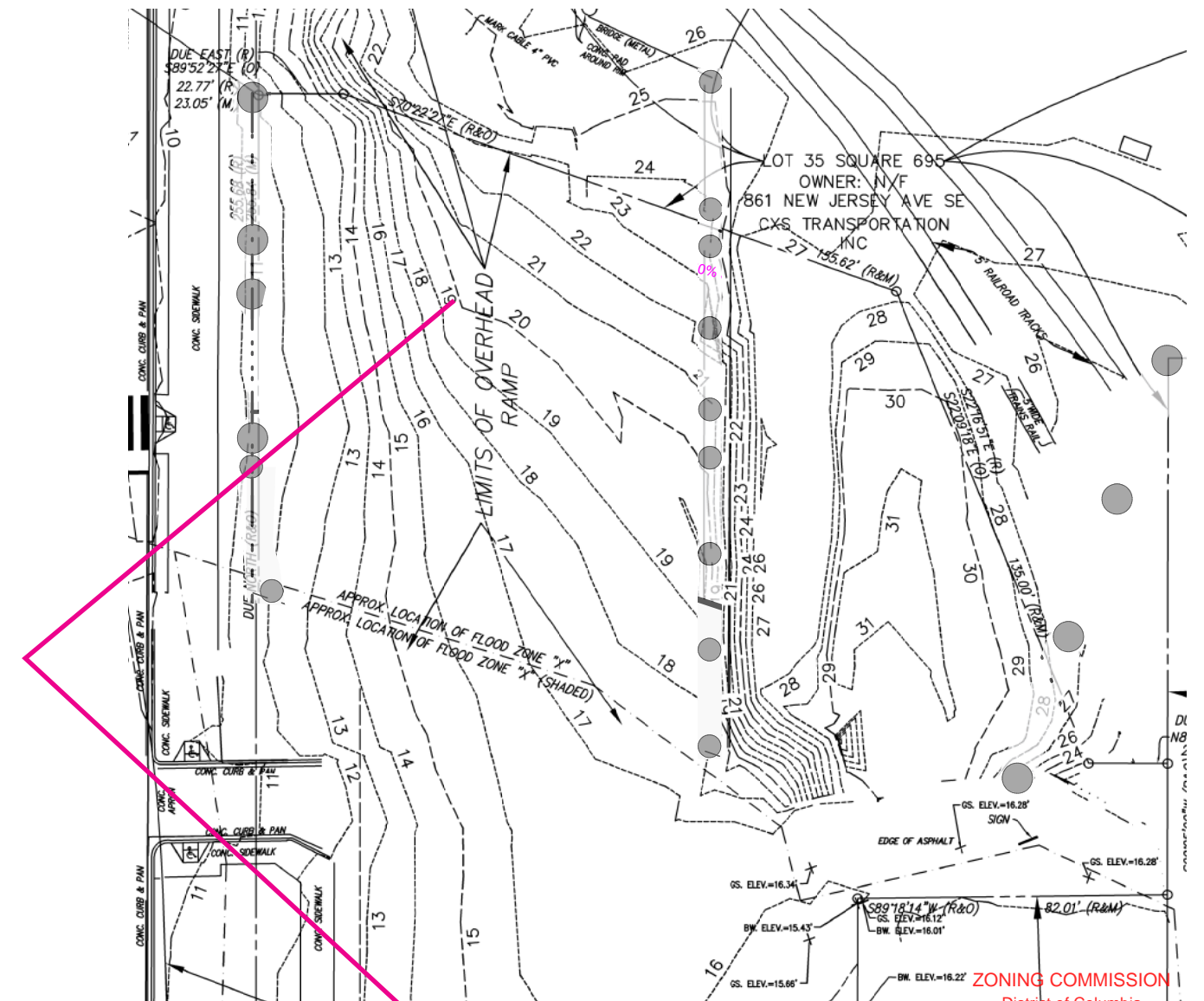
DOG PARK DESIGN NOT FINAL AND
SUBJECT TO DDOT REVIEW



EXISTING GRADE PHOTOS BELOW FREEWAY



PROPOSED GRADE

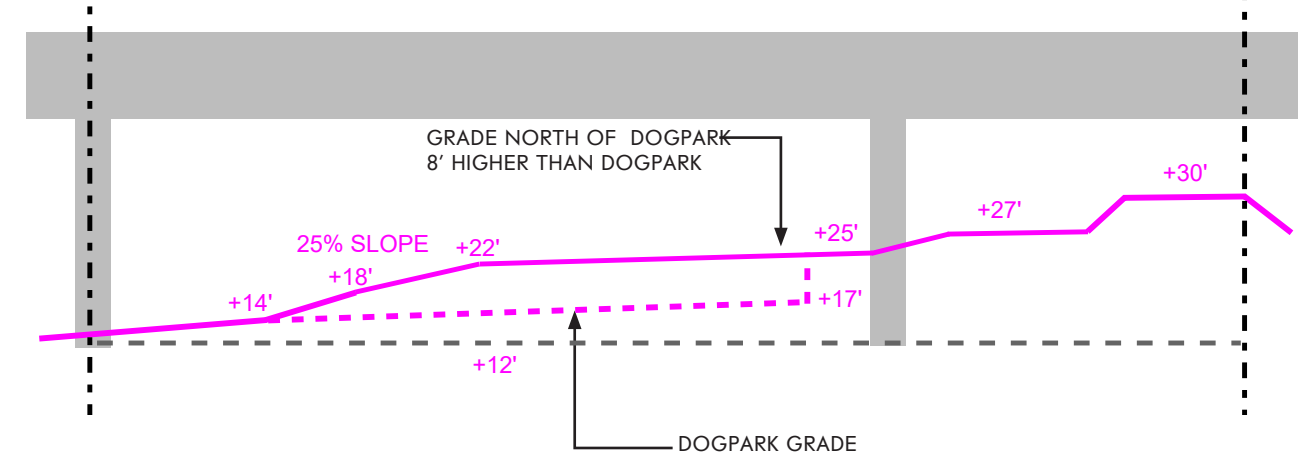
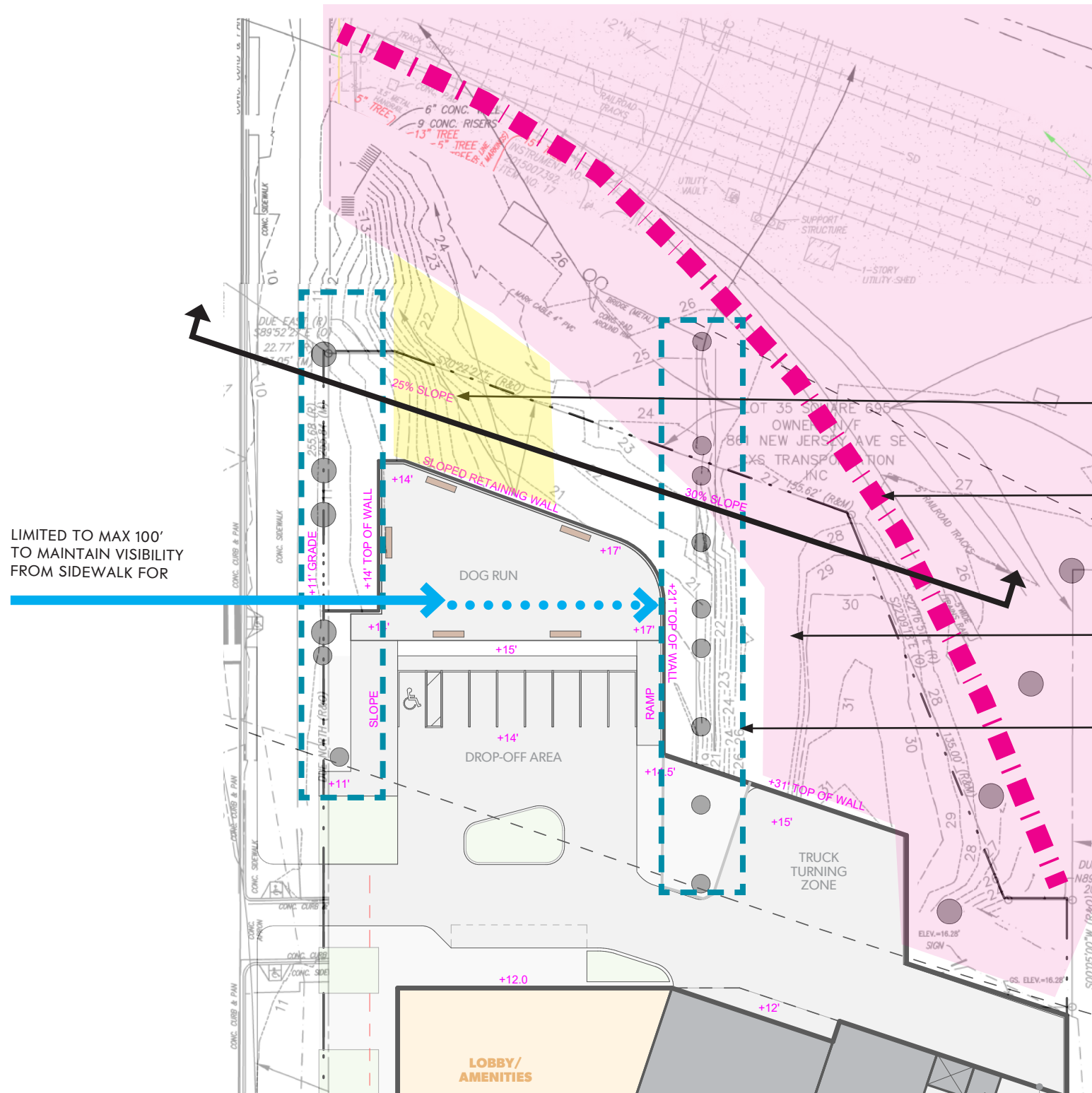


EXISTING GRADE

ZONING COMMISSION
District of Columbia
CASE NO.21-12
EXHIBIT NO.20B

DOG PARK GRADING CONSTRAINTS

DOG PARK DESIGN NOT FINAL AND SUBJECT TO DDOT REVIEW



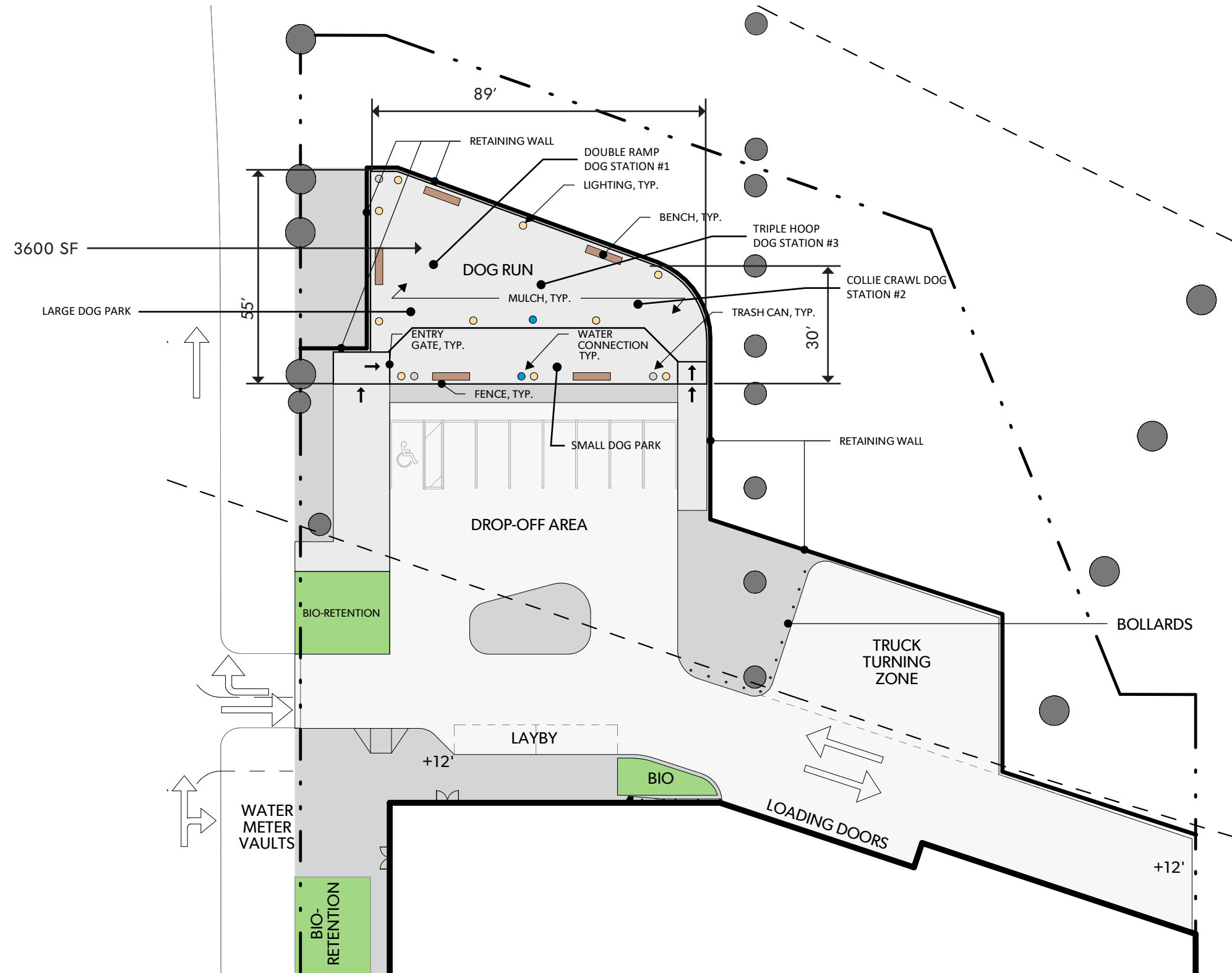
GRADE SECTION NORTH OF DOGPARK

- STEEP GRADES NORTH OF DOGPARK (YELLOW)
- RAILROAD TRACKS (DASHED)
- GRADING BUFFERING RAILROAD TRACKS (PINK)
- CANNOT ALTER GRADE AT HIGHWAY COLUMNS (BLUE DASHED LINE)


LIMITED TO MAX 100' TO MAINTAIN VISIBILITY FROM SIDEWALK FOR

PROPOSED GRADE

OCTOBER 19, 2021

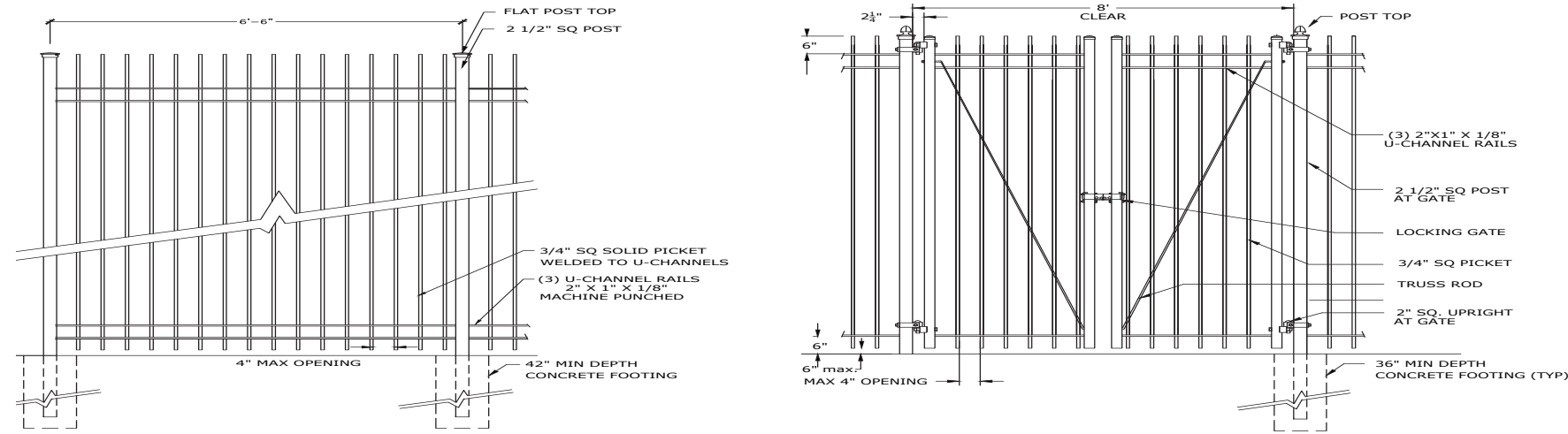


OCTOBER 19, 2021

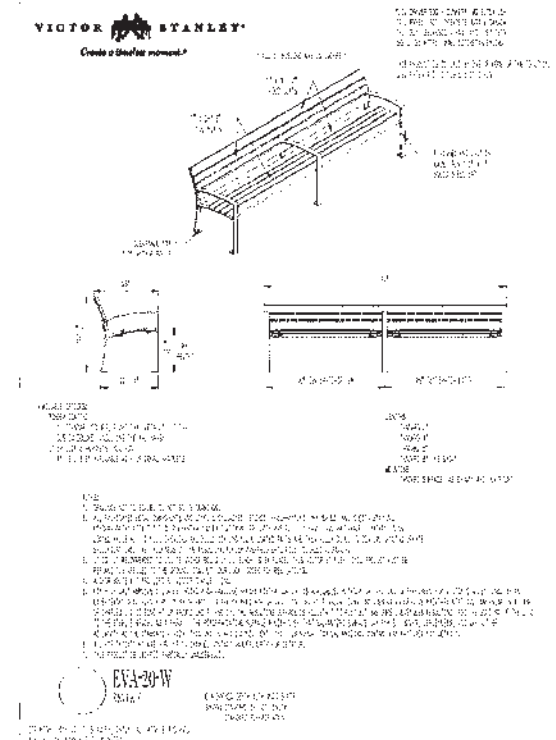
1/32" = 1'-0" 

DOG PARK FENCING AND FURNISHINGS

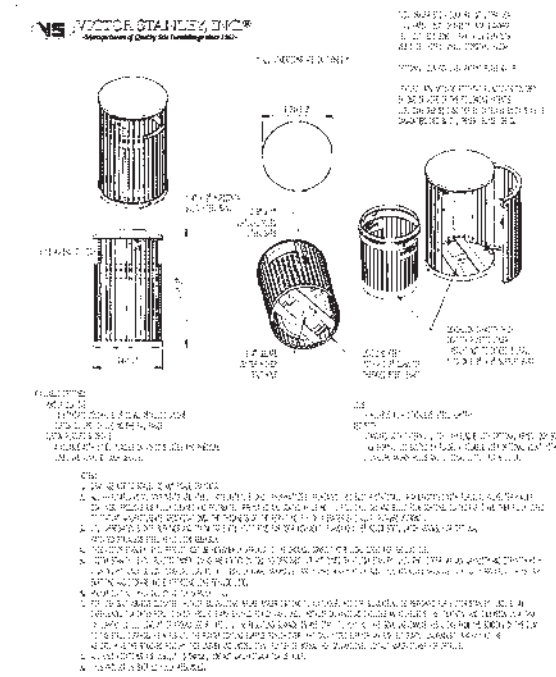
DOG PARK DESIGN NOT FINAL AND
SUBJECT TO DDOT REVIEW



4/L0630 Typ. Chesapeake Iron 42" Fence and Gate



6 8' EVA BENCH SURFACE MOUNT
NOT TO SCALE



7 NSDC-36 TRASH RECEPTACLE
NOT TO SCALE

Rubber Bands are provided to keep customer supplied liners in place. Wrap around liner and on outside of waste station to hold the liner.

ITEM NO.	Part No.	DESCRIPTION	QTY
1	P-01-08-0105	Pet waste station post bottom	1
2	P-01-08-0104	Pet waste station post top	1
3	01-08-0870	Pet waste station sign 9"x12"	1
4	33-04-0888	5/16" Key Nut (Zinc)	8
5	33-04-0891	5/16" Zinc Plated Washer	8
6	33-04-0825	5/16" x 1-3/4" Carriage Bolt	4
7	33-04-0891	5/16" x 1" Machine Bolt (Zinc)	2
8	33-04-0896	5/16" x 1-1/2" Machine Bolt (Zinc)	2
9	01-08-0874	Pet Waste Station Biodegradable Bags	2
10	01-08-0871	Lock	1
11	P-01-08-0095	Assembled Bag Box	1
12	P-01-08-0103	Pet Waste - Half Moon Complete	1
13	01-08-0120	Rubber Band	1

Estimated Required Concrete:
4 - 50lb Bags of Concrete Mix

**BARK-480RD
PET WASTE RECEPTACLE**

Maximum Capacity: 80 lbs. (36 kg) of waste
 The pet waste receptacle is made of heavy-duty 18 gauge stainless steel to ensure long life and resistance to rust. The receptacle is constructed of 18 gauge stainless steel with a 1/2" thick lid. All joints are welded.
 Receptacle Dimensions: 18 1/2" x 12 1/2" x 25 1/2" high
 Receptacle Weight: 25 lbs. (11 kg) (without liner)
 The receptacle is designed to be used with biodegradable bags. The receptacle is designed to be used with biodegradable bags.
 The receptacle is designed to be used with biodegradable bags.
 The receptacle is designed to be used with biodegradable bags.

4 DOG WASTE STATION
NOT TO SCALE

The Deluxe Dog Watering Station features all 14 gauge, 304 stainless steel construction and easy push button operation requiring less than 5 pounds of force to operate. The 18 gauge pet bowl has a slow drain, allowing the dog to quench its thirst while helping to prevent unsafe standing water. The fountain includes a leash hook and hose bibb with vacuum breaker for both pet washing and park maintenance.

**7214
DELUXE DOG
WATERING
STATION**

Heavy 14 gauge, 304 stainless steel pedestal with welded 18 gauge dog bowl

15 different powder coat color options available

ADA Accessible button height

DOG-ON-IT-PARKS
4818 Evergreen Way
Ste 250
Everett, WA 98203
P: 877-348-3647

www.dog-on-it-parks.com
Refer to installation manual for more detailed specifications.
Copyright 2016

5 DOG WATERING STATION
NOT TO SCALE

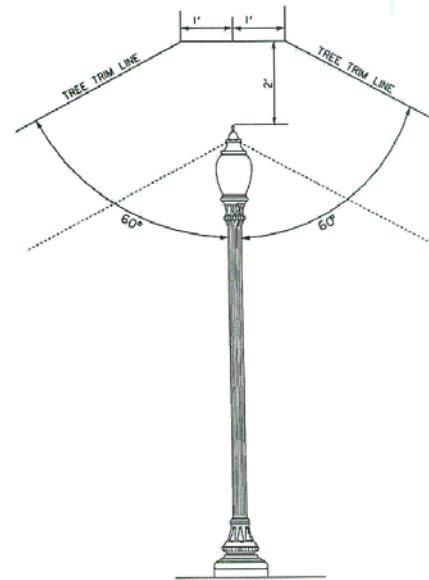
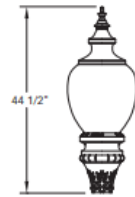
K I N G L U M I N A I R E
Post Top Luminaires • Acorn



K118 WASHINGTON

Of the many acorn globes that found their way onto the city streets of North America in the early 20th century, the shape of the K118 Washington was perhaps the most widely used. Because of its pleasant, well balanced shape, the K118 Washington is one of our most popular ornamental luminaires.

- LED OPTICAL SYSTEMS**
B3 R1 P4
- HID OPTICAL SYSTEMS**
INT EXT VLI



TREE TRIM DETAIL FOR
DECORATIVE STREET LIGHT POLE

K118 DECORATIVE OPTIONS



GE Decorative Ring
An optional accessory that adds to the historical look of the traditional K118 Washington globe – available in all KingCoat™ colors.



Finials - F#1, F#2, F#3
Many decorative finials are available to modify the look of the traditional K118 Washington globe. The F#1 finial is standard; refer to page 43 to view other finial options.



Contempra Ring
An optional accessory that gives a clean decorative look to the traditional K118 Washington globe – available in all KingCoat™ colors.



Solid Spun Aluminum Top
A decorative option that, on its own or when combined with one of the decorative rings, adds to the traditional K118 Washington globe ambience – available in all KingCoat™ colors.



Westinghouse Ring and Struts
An optional accessory based on the original Westinghouse design. This accurate reproduction of a historical design graces the streets of numerous cities and towns.

POST TOP FEATURES



Rotolock™ Globe Mounting
Ensures a precise bug/water seal of globe to capital as well as allowing easy twist turn access.
Not available with Glass Globes.

Visit scgrp.com for specification information. 6

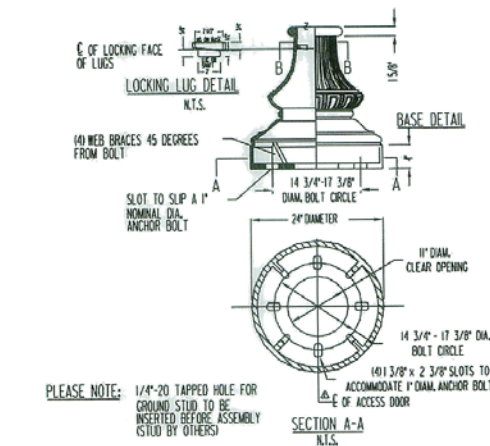
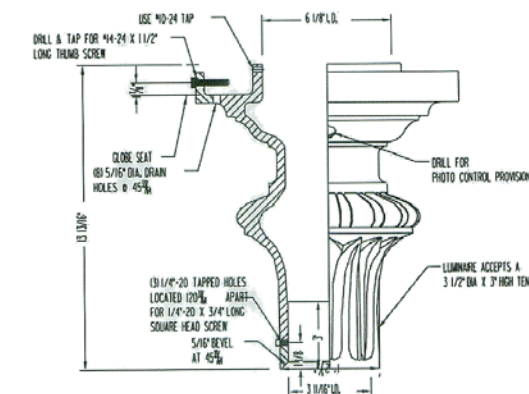
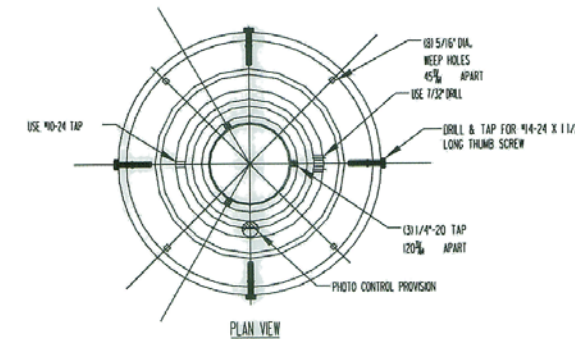
LAMP POST SPECIFICATIONS

STYLE: #6DC STANDARD2 PECEJ
HEIGHT: 13'-2"
LIGHT CENTER: 15'-1"
BASE: 2" DIAMETER
MATERIAL: 2 PIECE, HEAVY WALL CAST IRON PER A.S.T.M. A 48-83 CLASS 30
FINISH: TWO COAT PAINT SYSTEM
ACCESS DOOR: LOCATED IN BASE SECURED WITH TAMPER PROOF HEX SOCKET SECURITY MACHINE SCREWS
ANCHOR BOLTS: 1417x 3/8" x 4"
BOLT PROJECTION: 3" REQUIRED
TENON: 3 1/2" DIAM. X 3" HIGH (TO ACCEPT LUMINAIRE)

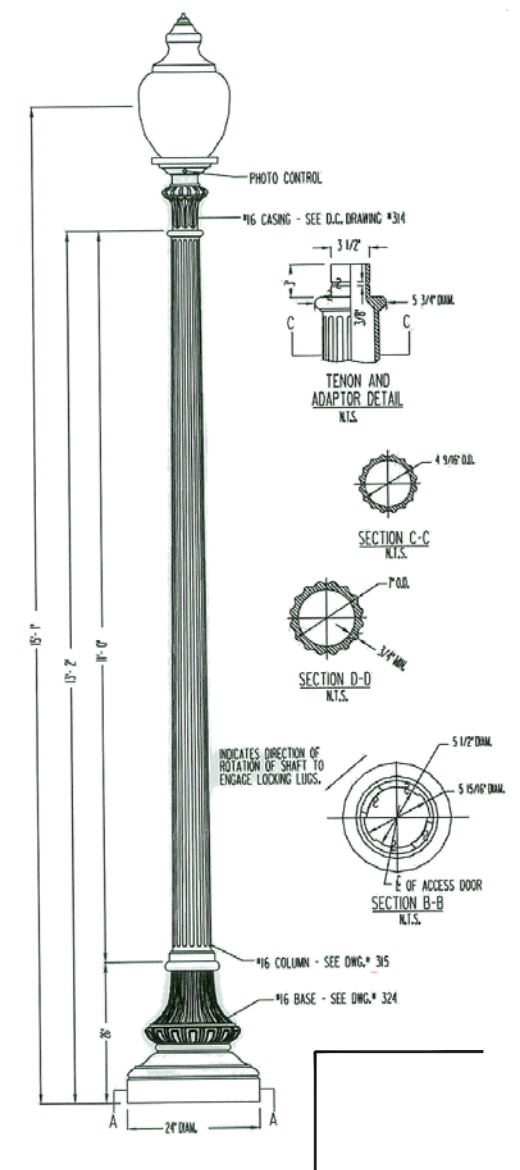
COLOR TO BE:
BLACK FEDERAL COLOR #27038

CASING SPECIFICATIONS

STYLE: D.C. STANDARD
HEIGHT: 13 12/16"
WIDTH: 12" DIAMETER
MATERIAL: CAST IRON PER A.S.T.M. A 48-83 CLASS 30
FINISH: BLACK FEDERAL COLOR #27038



PLEASE NOTE: 1/4"-20 TAPPED HOLE FOR GROUND STUD TO BE INSERTED BEFORE ASSEMBLY (STUD BY OTHERS)

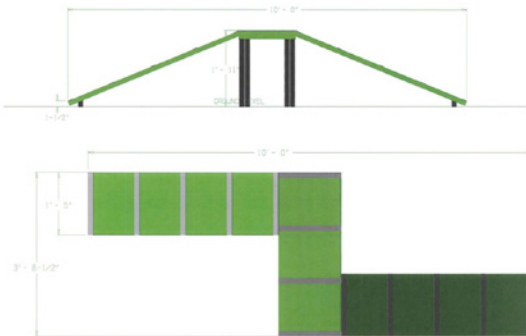




Designed specifically for smaller parks, the Dachshund Double Ramp is similar to the Whippet Walk, but with offset ramps for more fun and challenge. With a maximum height of two feet, this component is ideal for beginners to dog agility and is appropriate for dogs of all sizes and abilities. Standard colors are Green/Black or Red/Blue with custom color options are available as well. All walking surfaces are highly textured with our exclusive PawsGrip™ polyurea coating for traction.



Top and Side Views:



**CC5403
DACHSHUND
DOUBLE RAMP**

10 gauge, rust proof reinforced aluminum planks and aluminum posts with powder coat finish

Highly textured PawsGrip™ coating for maximum slip resistance

Free of perforations and/or step strips

Dimensions:
120"L x 15.5"W x 25"H

DOG-ON-IT-PARKS
4818 Evergreen Way
Ste 250
Everett, WA 98203
P: 877-348-3647
www.dog-on-it-parks.com
Refer to installation manual for more detailed specifications
Copyright 2016



A dual-function and space saving play component that offers both a tunnel and a jump. Featuring durable (and eco-friendly!) HDPE plastic planks with alternating paw and bone details, this piece is exclusive to Dog-ON-It-Parks. The routed wavy planks allow light into the interior so even a dog new to agility tunnels will feel more comfortable. Standard colors are Green or Red with custom colors available as well.



Views:



**CC5502
COLLIE
CRAWL**

Durable, bi-color HDPE plastic with routed dog paws

Heavy wall aluminum posts and vandal resistant hardware

Standard Colors:
Green or Red

Dimensions:
19.5"L x 19"W x 26.5"H

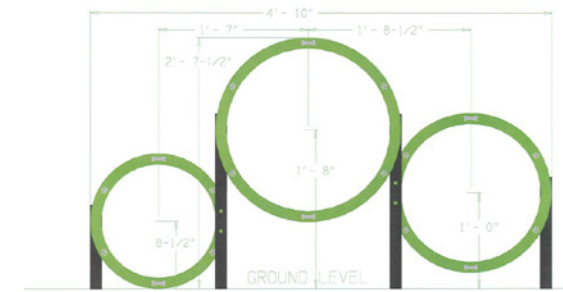
DOG-ON-IT-PARKS
4818 Evergreen Way
Ste 250
Everett, WA 98203
P: 877-348-3647
www.dog-on-it-parks.com
Refer to installation manual for more detailed specifications
Copyright 2016



Designed specifically for smaller parks, the Husky Triple Hoop offers two jump options for smaller dogs and one for their medium sized friends. Featuring eco-friendly and durable three-layered HDPE plastic, heavy wall aluminum uprights and vandal resistant stainless-steel hardware, this is an affordable, space saving component. Standard colors are Green or Red with custom colors available as well.



Views:



**CC5620
HUSKY TRIPLE
HOOP**

Interior Hoop Diameters: Small (14"), Medium (17"), and Large (20")

Paw and bone details aid in depth perception

Rust-proof aluminum posts with UV stable black powdercoat

Dimensions:
58" L x 4" W x 50" H

DOG-ON-IT-PARKS
4818 Evergreen Way
Ste 250
Everett, WA 98203
P: 877-348-3647
Refer to installation manual for more detailed specifications
Copyright 2016