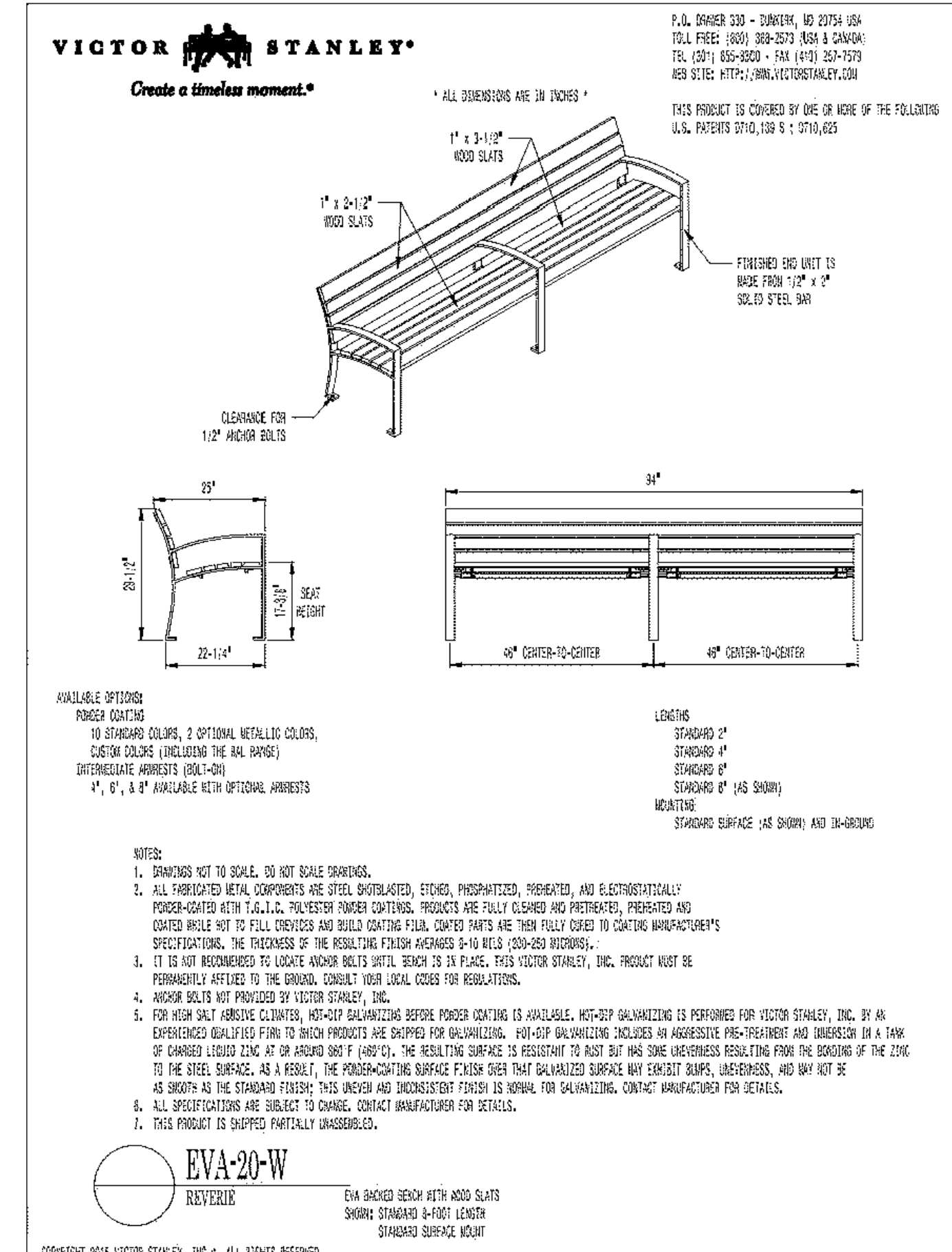


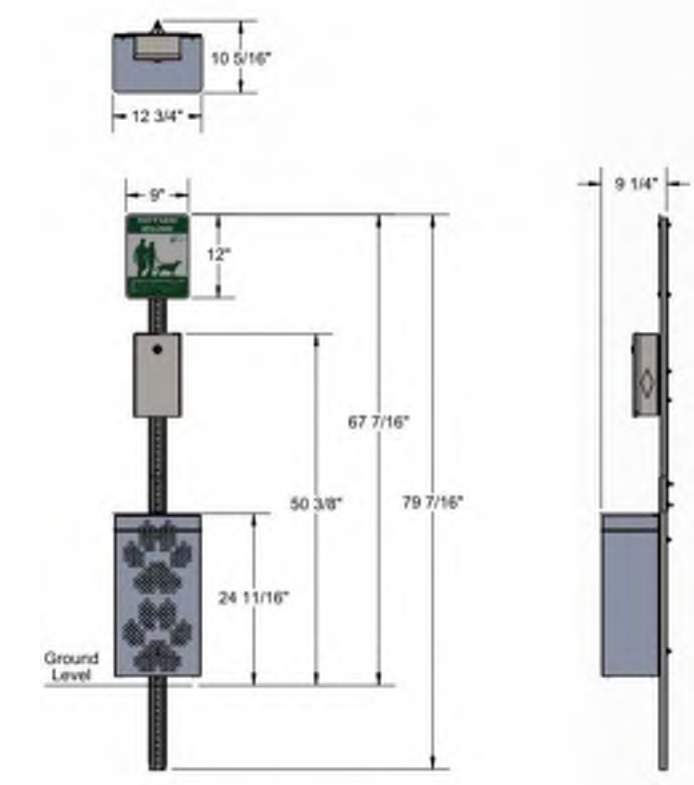
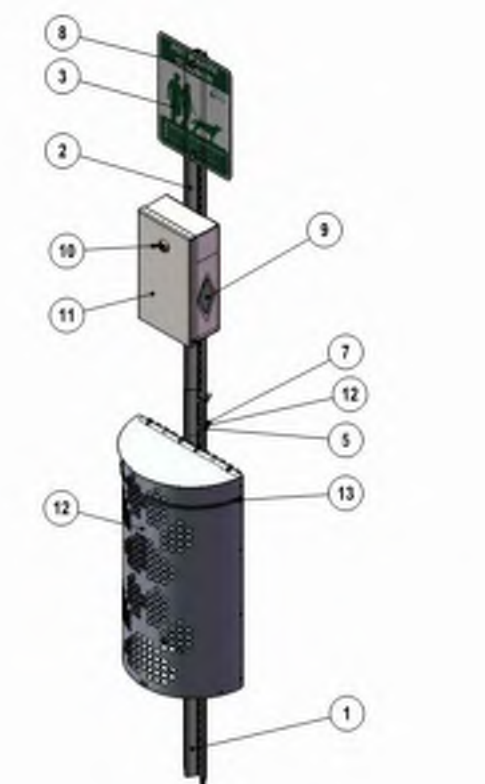
4/LO630 Typ. Chesapeake Iron 42" Fence and Gate



6 L0630 8' EVA BENCH SURFACE MOUNT

Rubber Bands are provided to keep customer supplied liners in place. Wrap around liner and on outside of waste station to hold the liner.

ITEM NO.	PartNo	DESCRIPTION	QTY.
1	P-01-08-0105	Pet waste station post bottom	1
2	P-01-08-0104	Pet waste station post top	1
3	01-08-0070	Pet waste station sign 9"x12"	1
4	33-03-0016	5/16" Kap Nut (zinc)	9
5	33-02-0001	5/16" Zinc Plated Washer	8
6	33-06-0025	5/16" x 1-3/4" Carriage Bolt	4
7	33-05-0001	5/16" x 1" Machine Bolt (Zinc)	2
8	33-05-0005	5/16" x 1 1/2" Machine Bolt (Zinc)	2
9	01-08-0074	Pet Waste Station Biodegradable Bags	2
10	01-08-0071	Lock	1
11	P-01-08-0095	Assembled Bag Box	1
12	P-01-08-0103	Pet Waste -Half Moon Complete	1
13	01-08-0120	Rubber Band	1

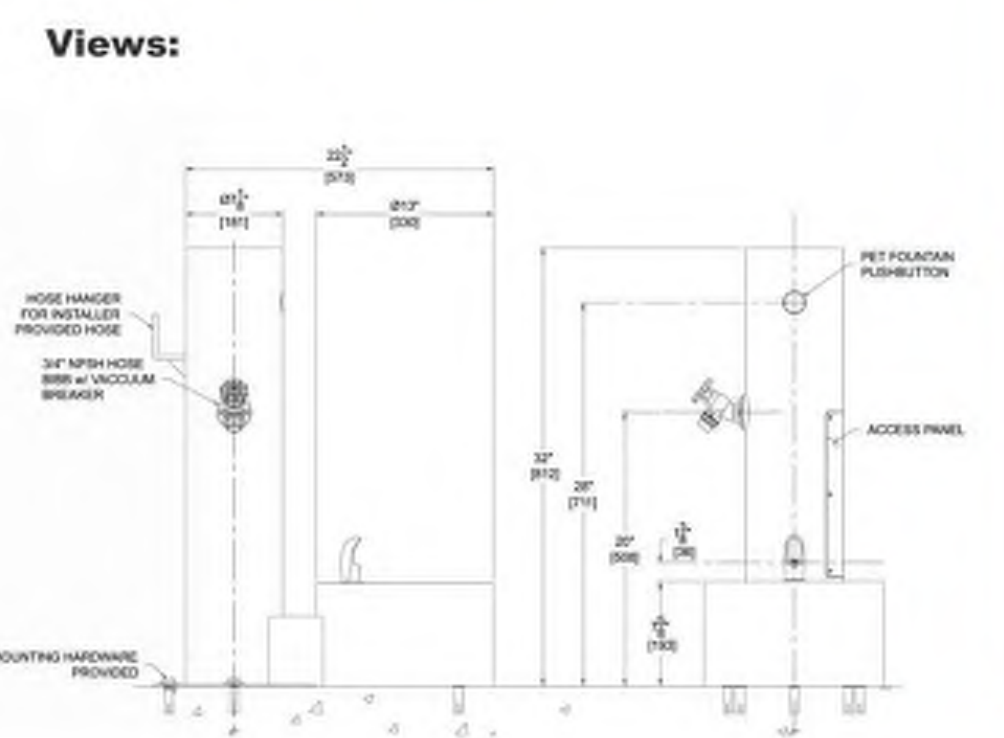


BARK-490RD PET WASTE RECEPTACLE

Receptacle Coating: Electrostatic powder coat, oven cured.
 Material: 20 gauge aluminum is precision punched with 5/8" diameter holes to create the punched paw pattern on the outer box. Riveted together to a 20 gauge aluminum inner box. 20 gauge aluminum lid.
 Receptacle Dimensions: 12-1/2" x 8-1/2" x 25-1/4" high.
 Bag Box Coating: Electrostatic powder coat, oven cured.
 Material: 20 gauge aluminum precision cut with formed edges and riveted together. Attached lock.
 Posts: 14 gauge formed channel.
 Sign: 16 gauge aluminum 12"x9" with decal.
 Hardware: 2 boxes of 200 count bags. 400 bags total. Zinc Hardware.

4 L0620 DOG WASTE STATION NOT TO SCALE

DOG ON IT PARKS
 The Deluxe Dog Watering Station features all 14 gauge, 304 stainless steel construction and easy push button operation requiring less than 5 pounds of force to operate. The 18 gauge pet bowl has a slow drain, allowing the dog to quench its thirst while helping to prevent unsafe standing water. The fountain includes a leash hook and hose bibb with vacuum breaker for both pet washing and park maintenance.



5 L0620 DOG WATERING STATION NOT TO SCALE

7214 DELUXE DOG WATERING STATION

Heavy 14 gauge, 304 stainless steel pedestal with welded 18 gauge dog bowl

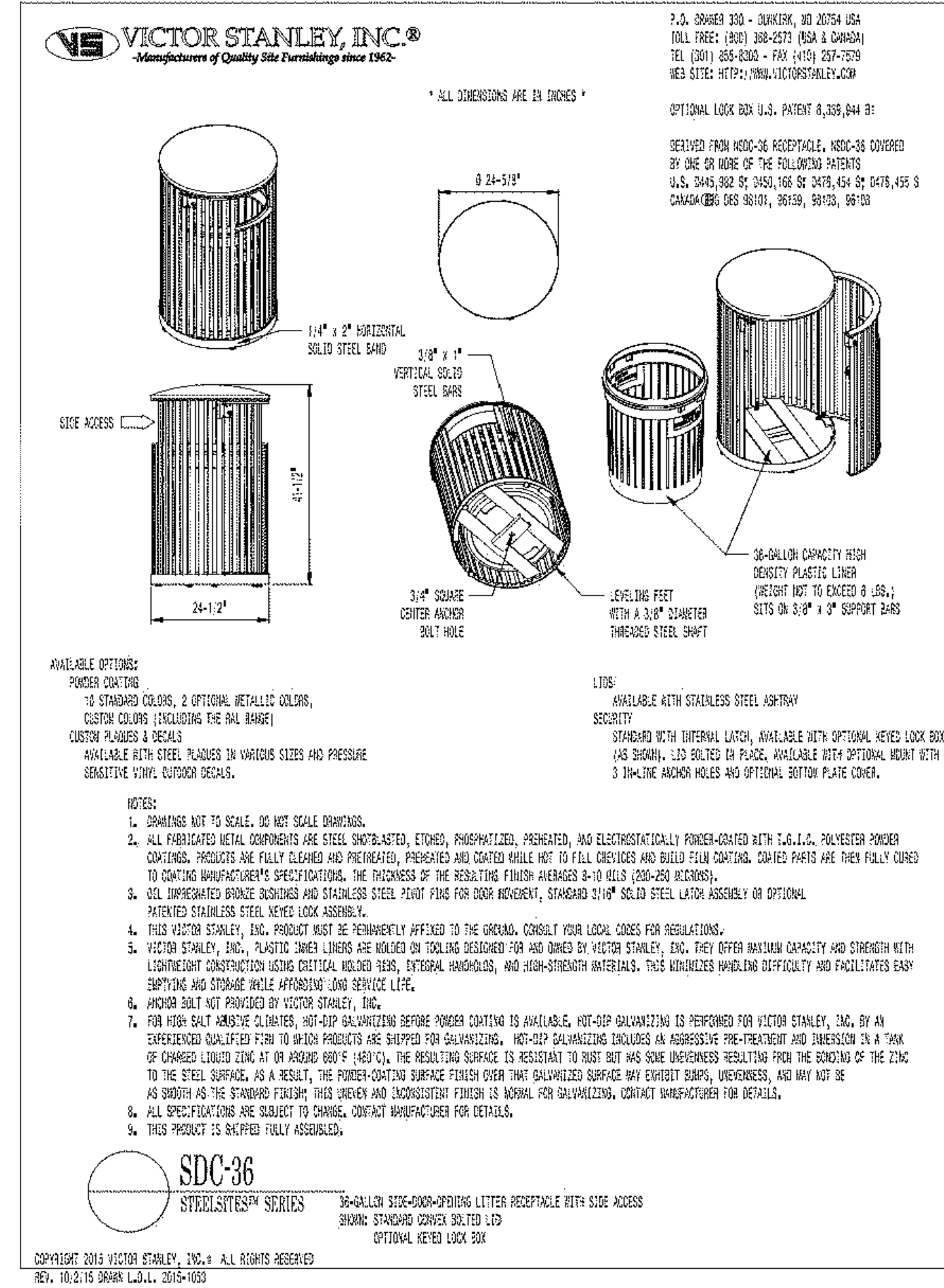
15 different powder coat color options

ADA Accessible button height

DOG-ON-IT-PARKS
 4818 Evergreen Way
 Ste 250
 Everett, WA 98203
 P: 877-348-3647
 www.dog-on-it-parks.com

Refer to installation manual for more detailed specifications

Copyright 2016



7 L0630 NSDC-36 TRASH RECEPTACLE NOT TO SCALE

K I N G L U M I N A I R E

Post Top Luminaires • Acorn

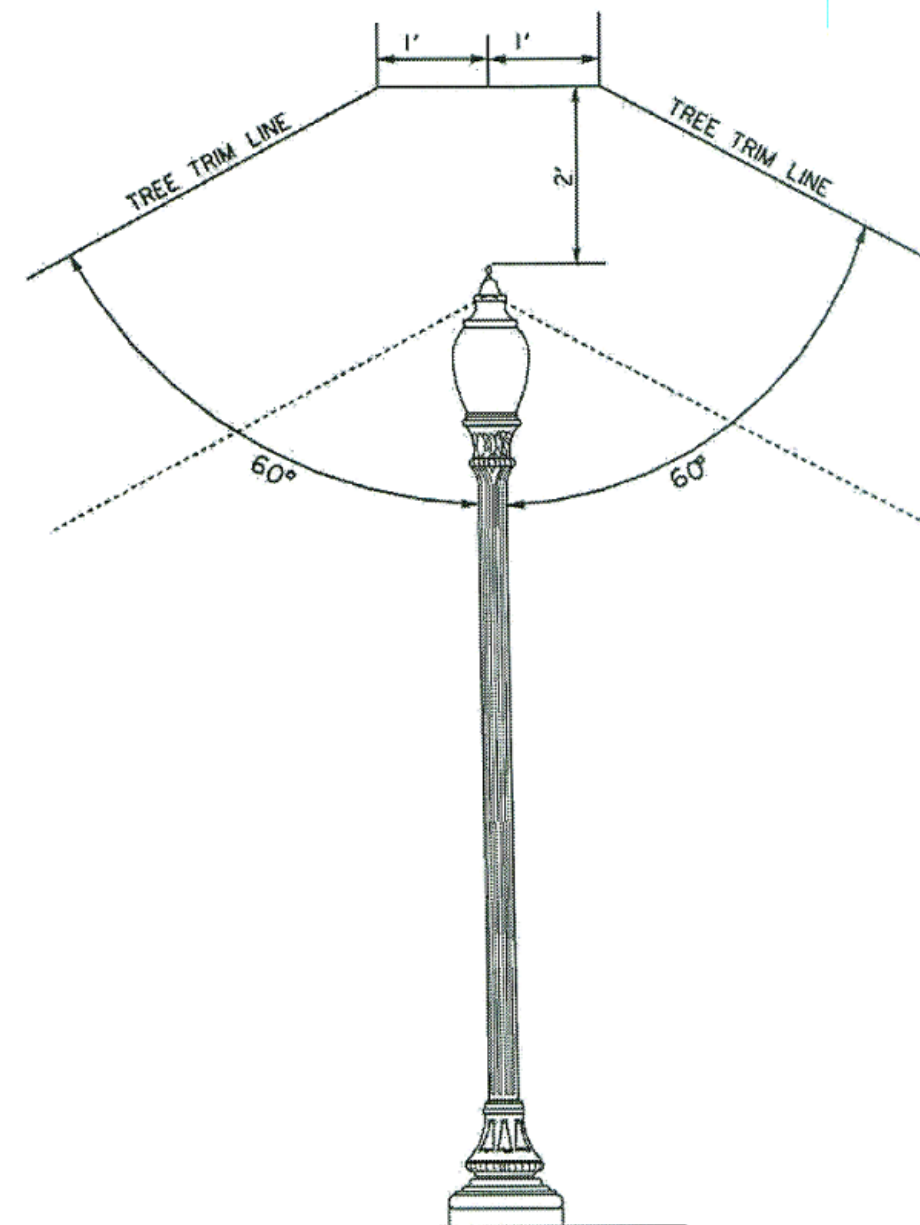
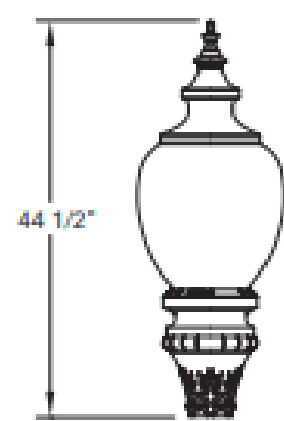


K118 WASHINGTON

Of the many acorn globes that found their way onto the city streets of North America in the early 20th century, the shape of the K118 Washington was perhaps the most widely used. Because of its pleasant, well balanced shape, the K118 Washington is one of our most popular ornamental luminaires.

LED OPTICAL SYSTEMS
B3 R1 P4

HID OPTICAL SYSTEMS
INT EXT VLI



TREE TRIM DETAIL FOR DECORATIVE STREET LIGHT POLE

K118 DECORATIVE OPTIONS



GE Decorative Ring
 An optional accessory that adds to the historical look of the traditional K118 Washington globe - available in all KingCoat™ colors.



Finials - F#1, F#2, F#3
 Many decorative finials are available to modify the look of the traditional K118 Washington globe. The F#1 finial is standard; refer to page 43 to view other finial options.



Contempra Ring
 An optional accessory that gives a clean decorative look to the traditional K118 Washington globe - available in all KingCoat™ colors.



Solid Spun Aluminum Top
 A decorative option that, on its own or when combined with one of the decorative rings, adds to the traditional K118 Washington globe ambience - available in all KingCoat™ colors.



Westinghouse Ring and Struts
 An optional accessory based on the original Westinghouse design. This accurate reproduction of a historical design graces the streets of numerous cities and towns.

POST TOP FEATURES



Rotolock™ Globe Mounting
 Ensures a precise bug/water seal of globe to capital as well as allowing easy twist turn access.
 Not available with Glass Globes.

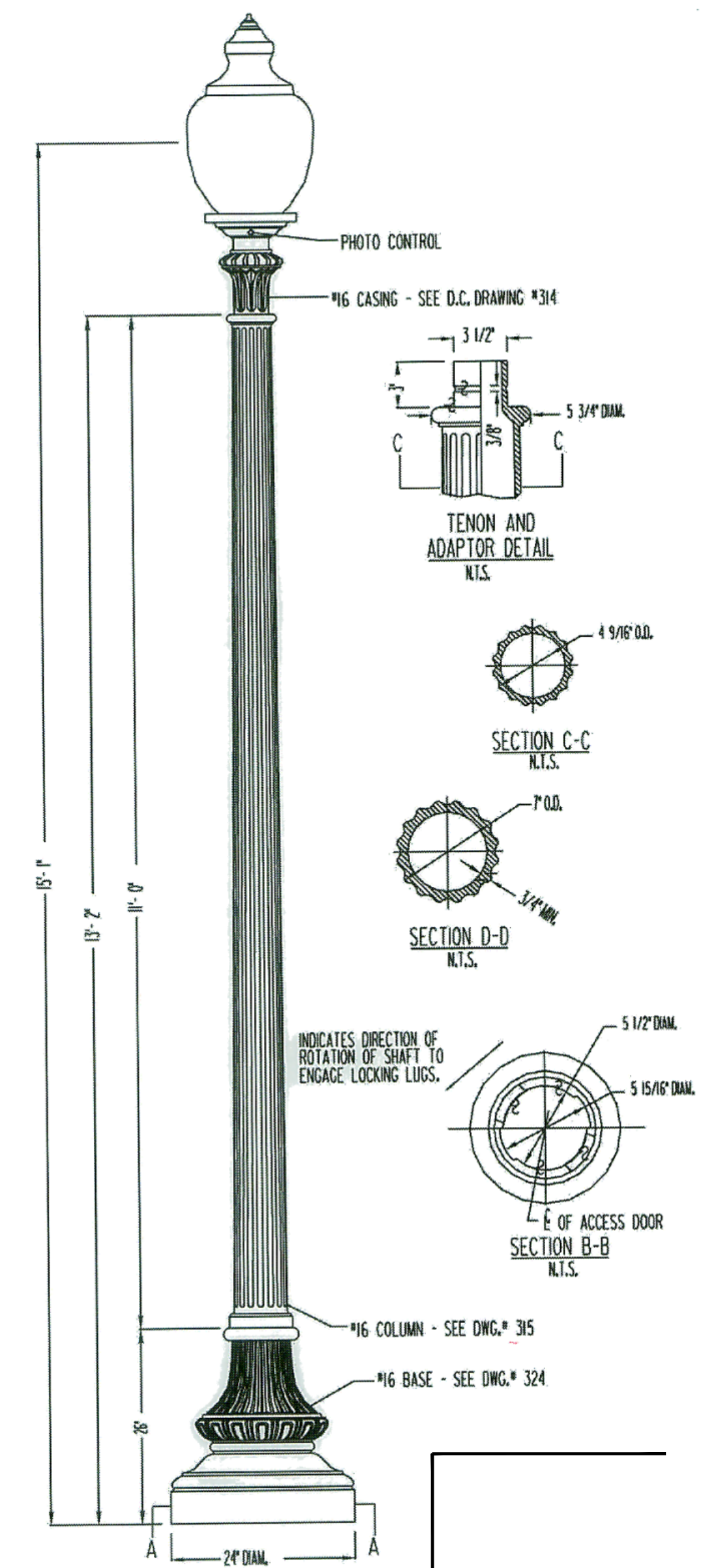
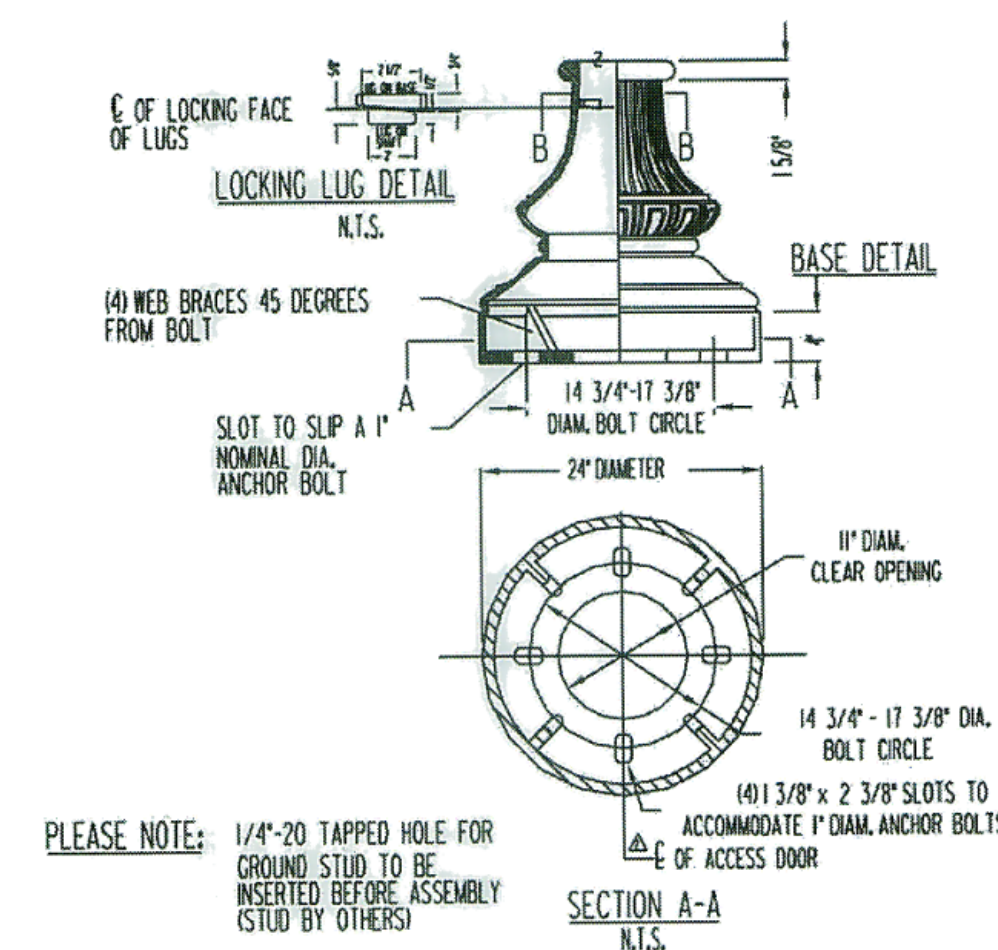
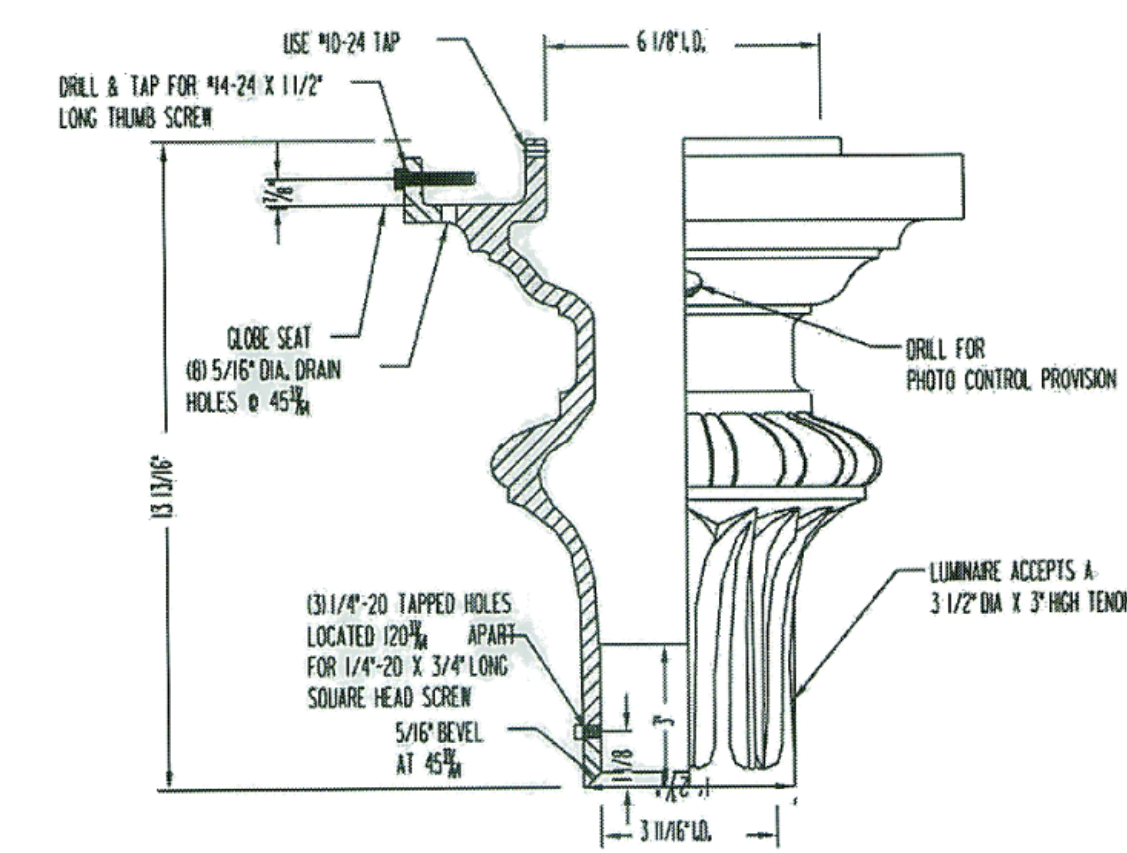
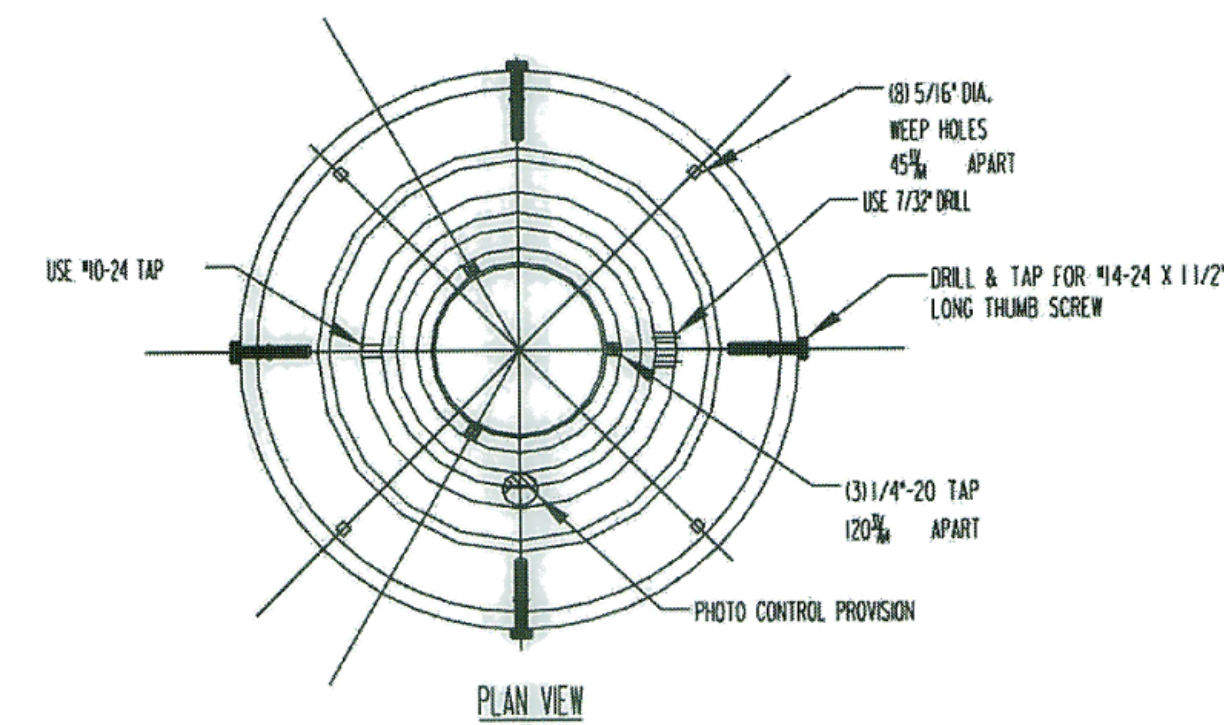
Visit scgrp.com for specification information. 6

LAMP POST SPECIFICATIONS

STYLE: #16C STANDARD 2 PIECE
 HEIGHT: 13'-2"
 LIGHT CENTER: 15'-1"
 BASE: 24" DIAMETER
 MATERIAL: 2 PIECE, HEAVY WALL CAST IRON PER A.S.T.M. A 48-83 CLASS 30
 FINISH: TWO COAT PAINT SYSTEM
 ACCESS DOOR: LOCATED IN BASE SECURED WITH TAMPER PROOF HEX SOCKET SECURITY MACHINE SCREWS
 ANCHOR BOLTS: (4) 1" x 3/8" x 4"
 BOLT PROJECTION: 3" REQUIRED
 TENON: 3 1/2" DIA. X 3" HIGH (TO ACCEPT LUMINAIRE)
 COLOR TO BE: BLACK-FEDERAL COLOR #27038

CASING SPECIFICATIONS

STYLE: D.C. STANDARD
 HEIGHT: 13 13/16"
 WIDTH: 12" DIAMETER
 MATERIAL: CAST IRON PER A.S.T.M. A 48-83 CLASS 30
 FINISH: BLACK-FEDERAL COLOR #27038



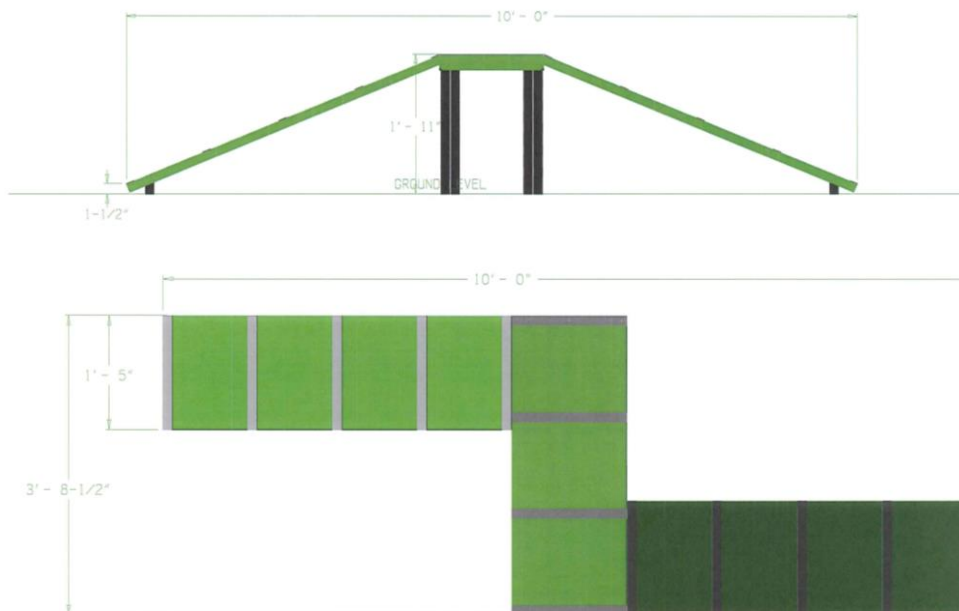
PLEASE NOTE: 1/4"-20 TAPPED HOLE FOR GROUND STUD TO BE INSERTED BEFORE ASSEMBLY (STUD BY OTHERS)



Designed specifically for smaller parks, the Dachshund Double Ramp is similar to the Whippet Walk, but with offset ramps for more fun and challenge. With a maximum height of two feet, this component is ideal for beginners to dog agility and is appropriate for dogs of all sizes and abilities. Standard colors are Green/Black or Red/Blue with custom color options are available as well. All walking surfaces are highly textured with our exclusive PawsGrip™ polyurea coating for traction.



Top and Side Views:



CC5403 DACHSHUND DOUBLE RAMP

10 gauge, rust proof reinforced aluminum planks and aluminum posts with powder coat finish

Highly textured PawsGrip™ coating for maximum slip resistance

Free of perforations and/or step strips

**Dimensions:
120”L x 15.5”W x 25”H**

DOG-ON-IT-PARKS

4818 Evergreen Way
Ste 250
Everett, WA 98203
P: 877-348-3647

www.dog-on-it-parks.com

Refer to installation manual for more detailed specifications

Copyright 2016





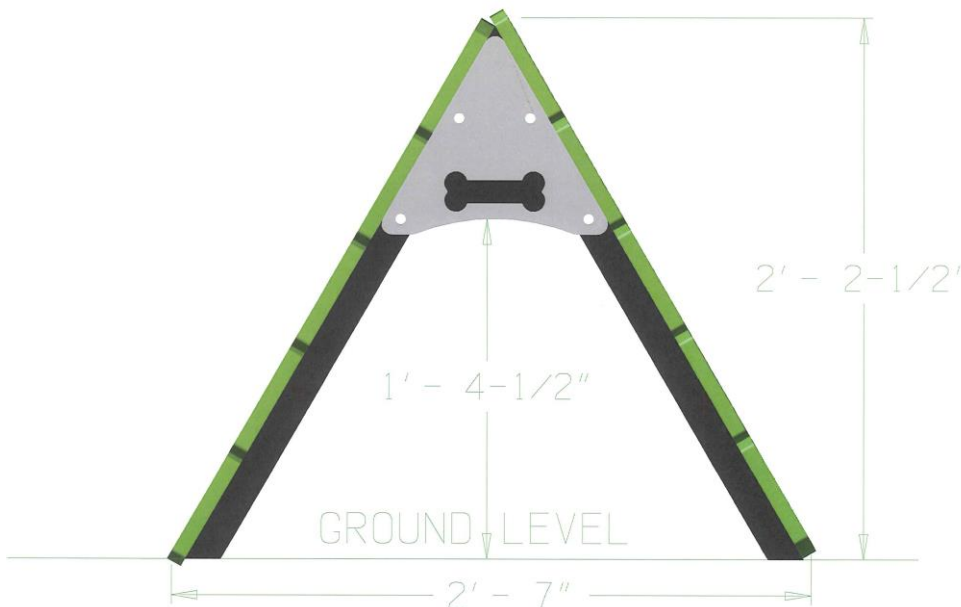
DOG-ON-IT PARKS

DOG-ON-IT-PARKS.COM

A dual-function and space saving play component that offers both a tunnel and a jump. Featuring durable (and eco-friendly!) HDPE plastic planks with alternating paw and bone details, this piece is exclusive to Dog-ON-It-Parks. The routed wavy planks allow light into the interior so even a dog new to agility tunnels will feel more comfortable. Standard colors are Green or Red with custom colors available as well.



Views:



CC5502 COLLIE CRAWL

**Durable, bi-color
HDPE plastic with
routed dog paws**

**Heavy wall aluminum
posts and vandal
resistant hardware**

**Standard Colors:
Green or Red**

**Dimensions:
19.5"L x 19"W x 26.5"H**

DOG-ON-IT-PARKS

4818 Evergreen Way
Ste 250
Everett, WA 98203
P: 877-348-3647

www.dog-on-it-parks.com

Refer to installation manual for
more detailed specifications

Copyright 2016

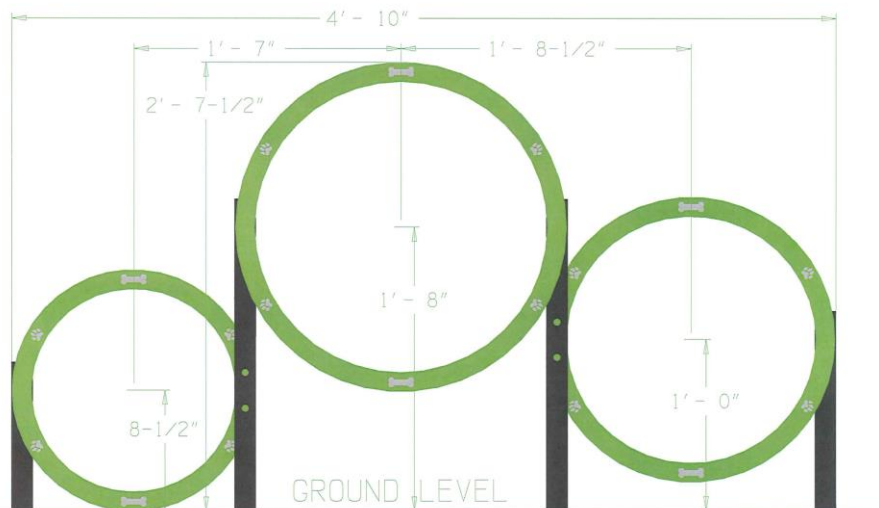




Designed specifically for smaller parks, the Husky Triple Hoop offers two jump options for smaller dogs and one for their medium sized friends. Featuring eco-friendly and durable three-layered HDPE plastic, heavy wall aluminum uprights and vandal resistant stainless-steel hardware, this is an affordable, space saving component. Standard colors are Green or Red with custom colors available as well.



Views:



CC5620 HUSKY TRIPLE HOOP

Interior Hoop
Diameters: Small
(14"), Medium (17"),
and Large (20")

Paw and bone details
aid in depth perception

Rust-proof aluminum
posts with UV stable
black powdercoat

Dimensions:
58" L x 4" W x 50" H

DOG-ON-IT-PARKS

4818 Evergreen Way
Ste 250
Everett, WA 98203
P: 877-348-3647

Refer to installation manual for
more detailed specifications

Copyright 2016

