

SILT FENCE DESIGN CRITERIA:

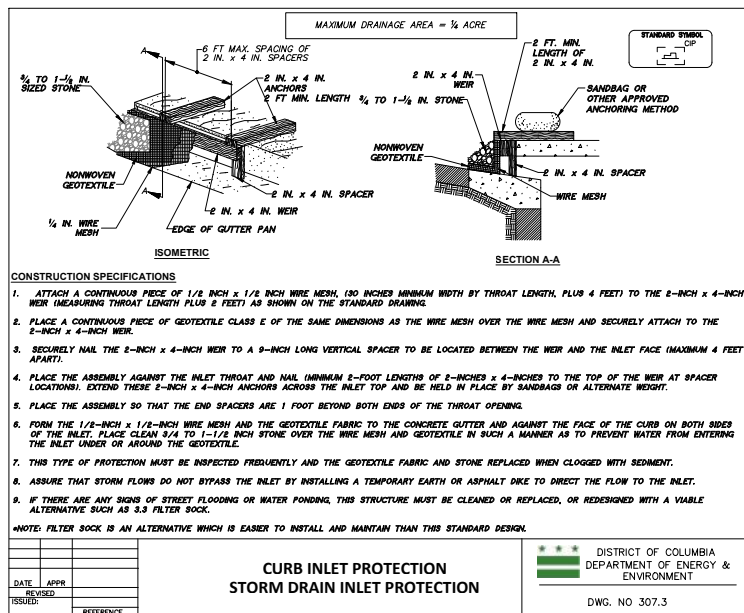
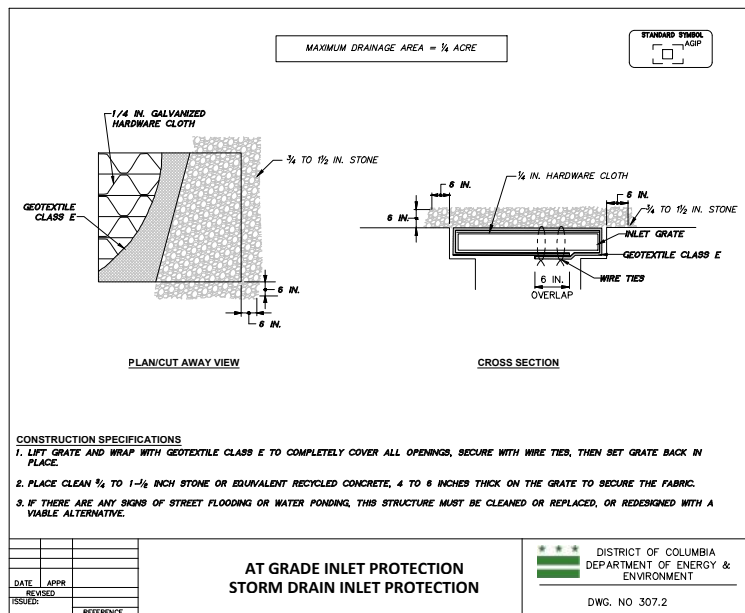
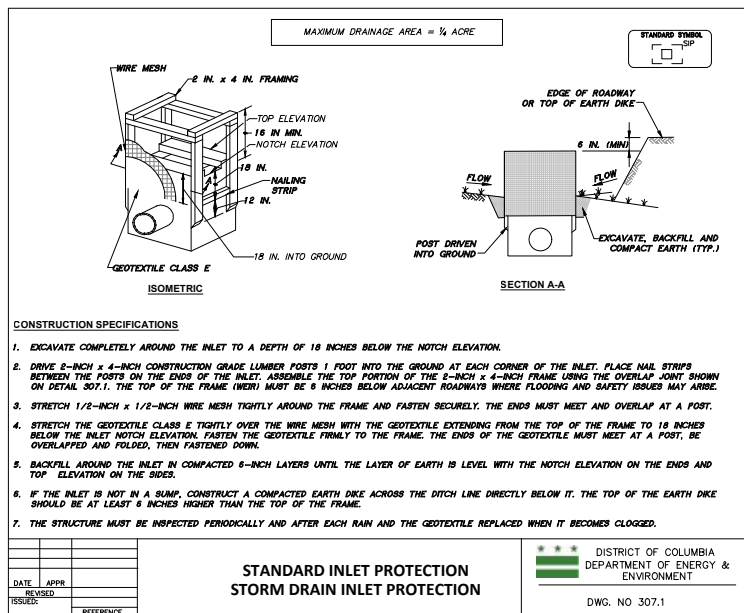
TABLE 3.1: SILT FENCE SLOPE LENGTH AND FENCE LENGTH CONSTRAINTS		
SLOPE STEEPNESS	SLOPE LENGTH (MAXIMUM) (FEET)	SILT FENCE LENGTH (MAXIMUM) (FEET)
FLATTER THAN 50:1 (2X)	UNLIMITED	UNLIMITED
> 50:1 TO 10:1 (2X TO 10X)	125	1,000
> 10:1 TO 5:1 (10X TO 20X)	100	750
> 5:1 TO 3:1 (20X TO 33X)	60	500
> 3:1 TO 2:1 (33X TO 60X)	40	250
> 2:1 (> 60X)	20	125

NOTE:
 * IN AREAS OF LESS THAN 2X SLOPE AND SANDY SOILS (USDA GENERAL CLASSIFICATION SYSTEM, SOIL CLASS A) MAXIMUM SLOPE LENGTH AND SILT FENCE LENGTH WILL BE UNLIMITED. IN THESE AREAS A SILT FENCE MAY BE THE ONLY PERIMETER CONTROL REQUIRED.
 * TO AVOID CIRCUMVENTION, EXTEND THE ENDS OF THE SILT FENCE UPSLOPE TO PREVENT WATER AND SEDIMENT FROM FLOWING AROUND THE ENDS OF THE FENCE.

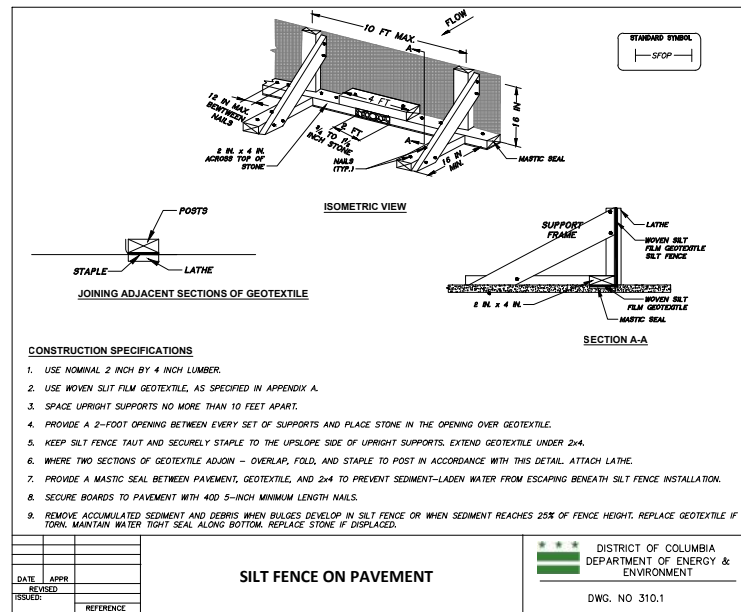
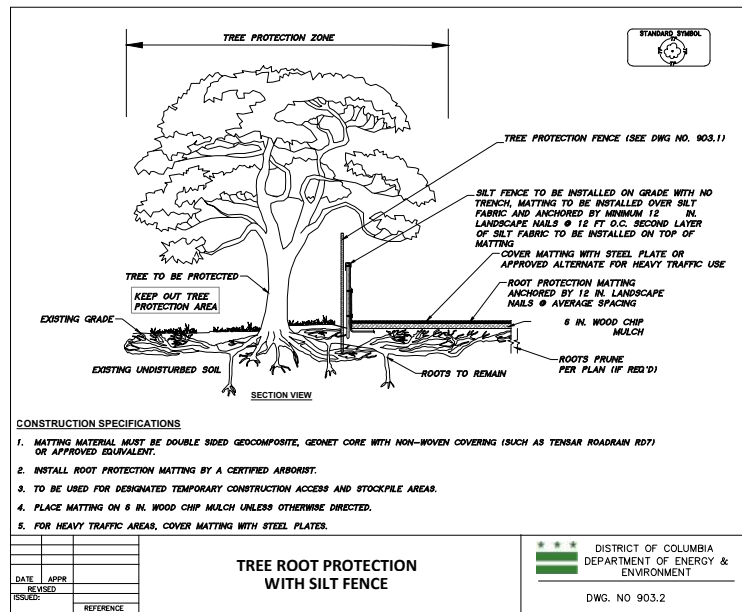
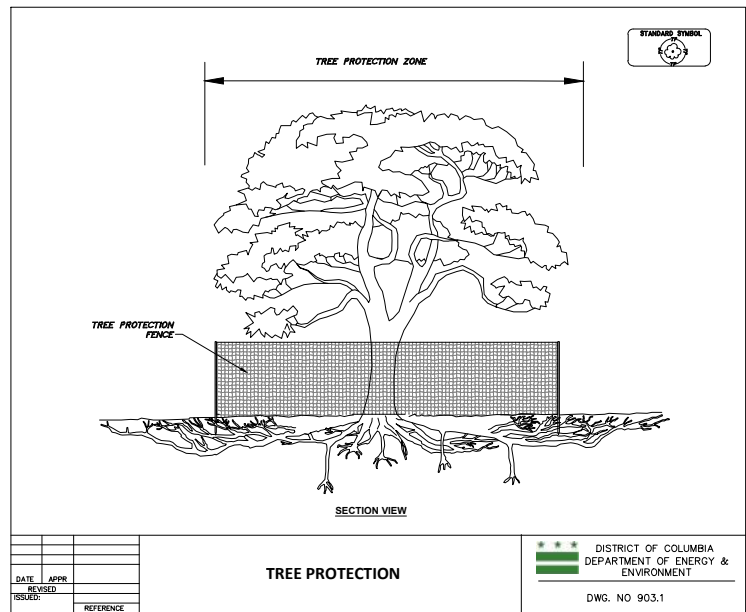
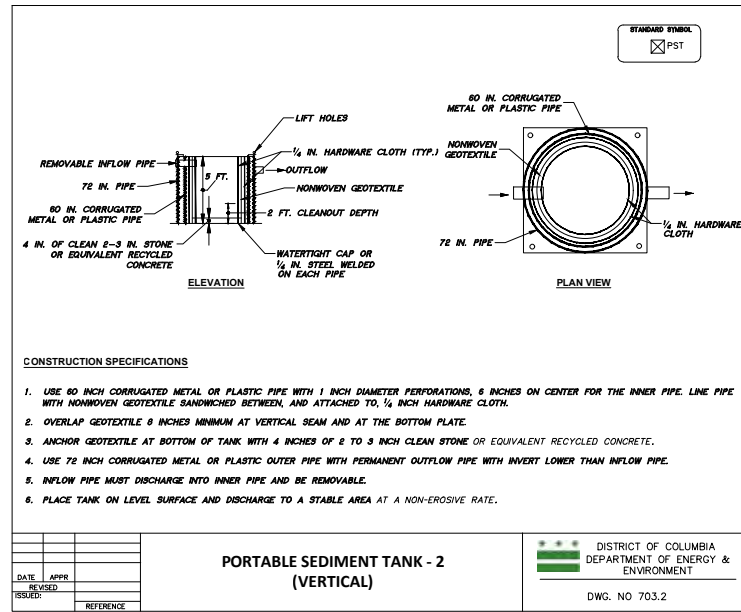
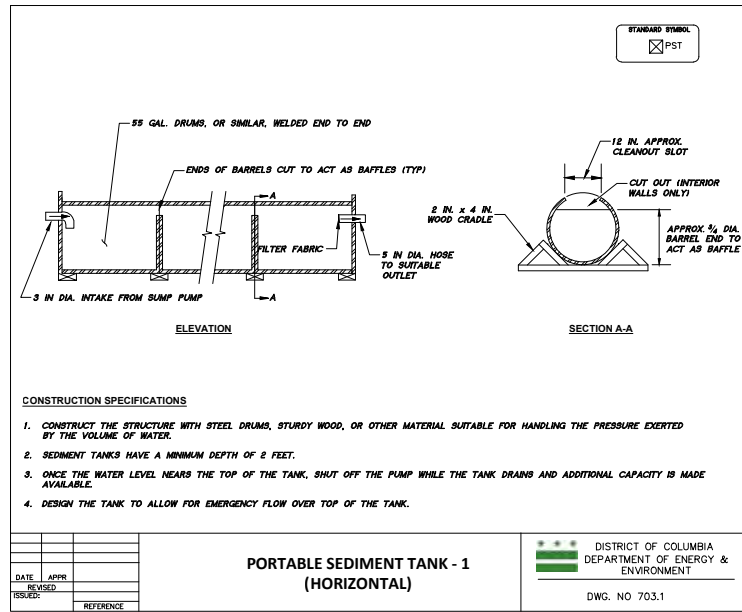
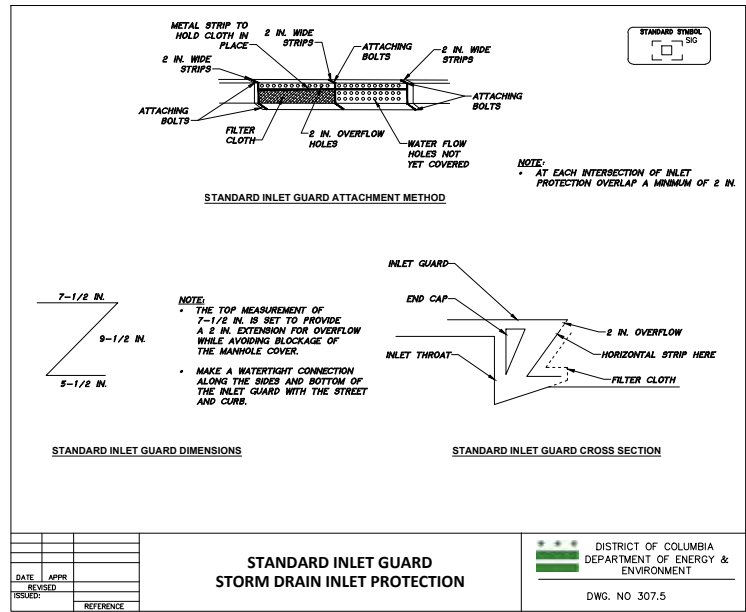
SILT FENCE-2

DISTRICT OF COLUMBIA
DEPARTMENT OF ENERGY & ENVIRONMENT
DWG. NO 301.2

SOURCE: 2011 MARYLAND STANDARDS & SPECIFICATIONS



EROSION AND SEDIMENT CONTROL DETAILS



NOTE:
REFER TO THE 2017 DOE EROSION AND SEDIMENT CONTROL MANUAL FOR ADDITIONAL CONSTRUCTION SPECIFICATIONS FOR EACH ESC MEASURE.