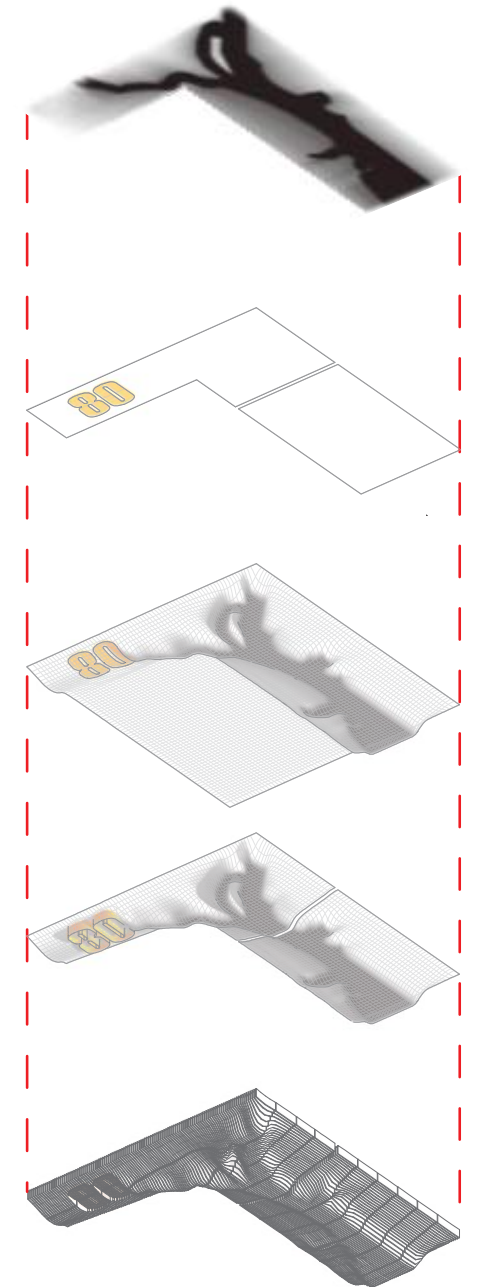
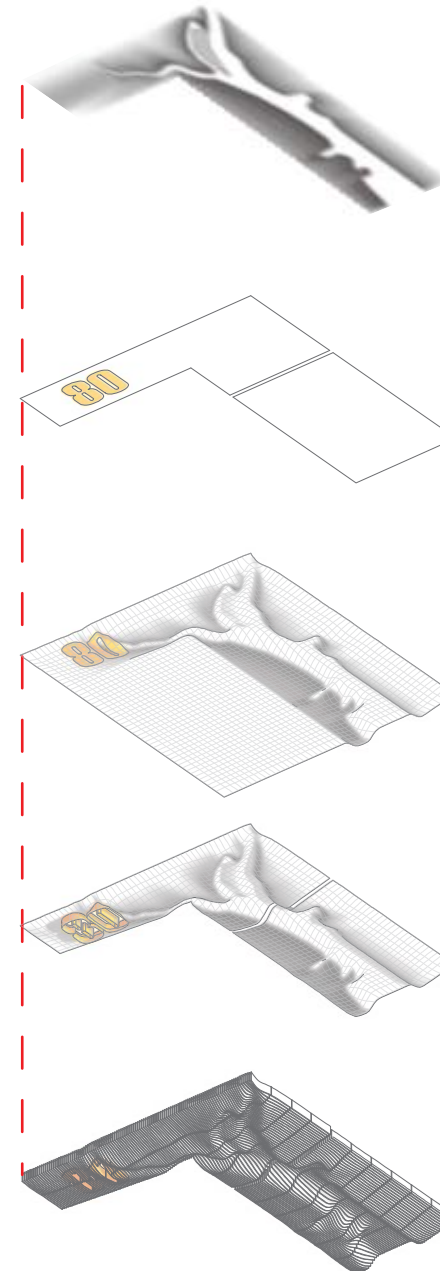
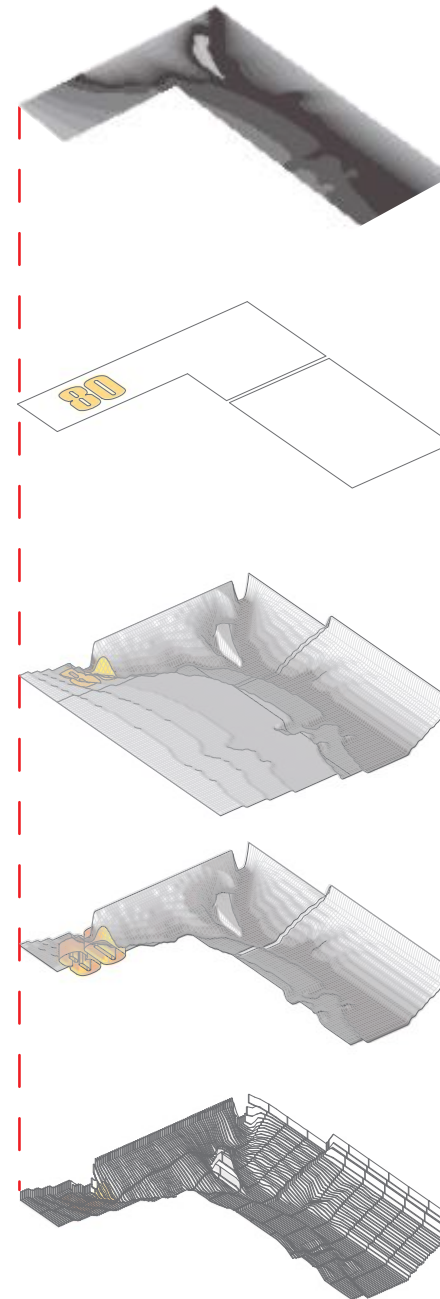
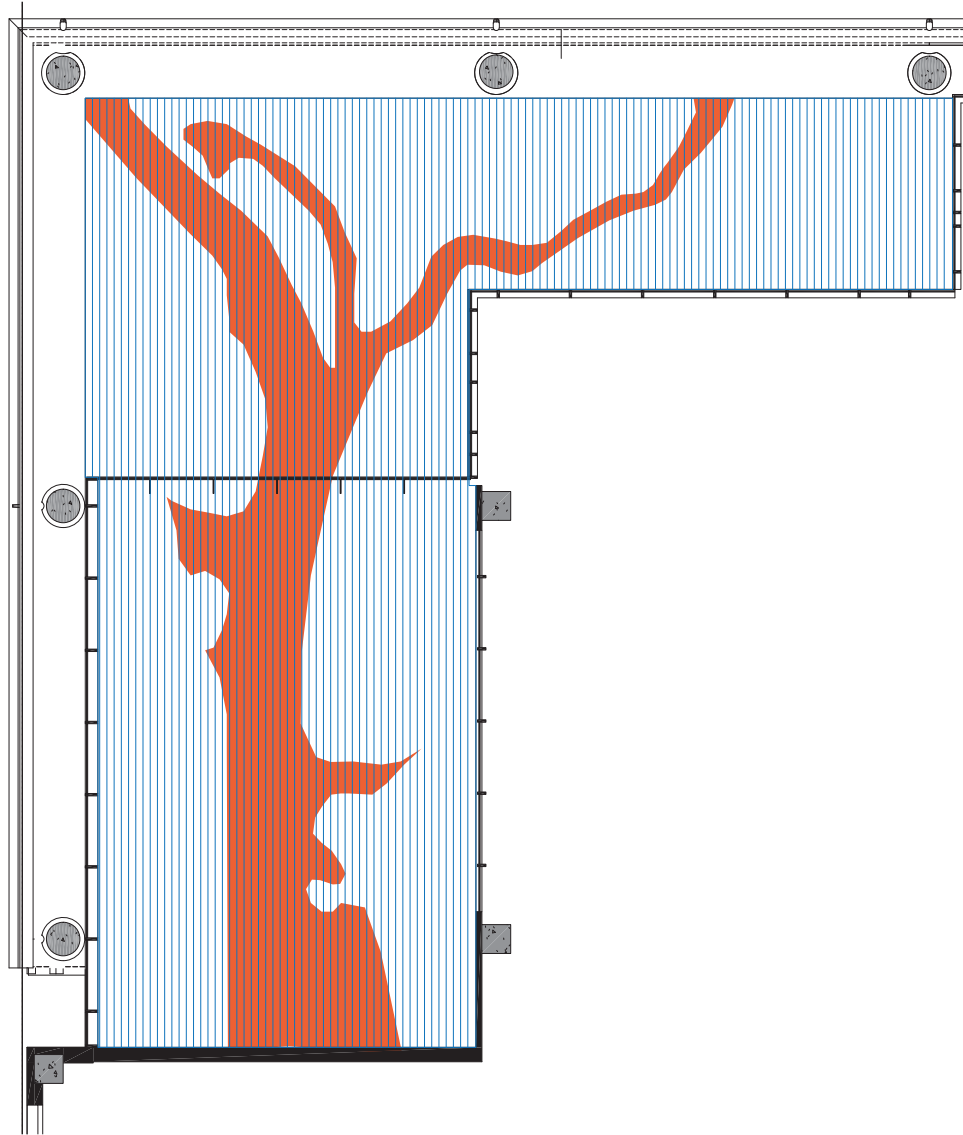


# soffit concept

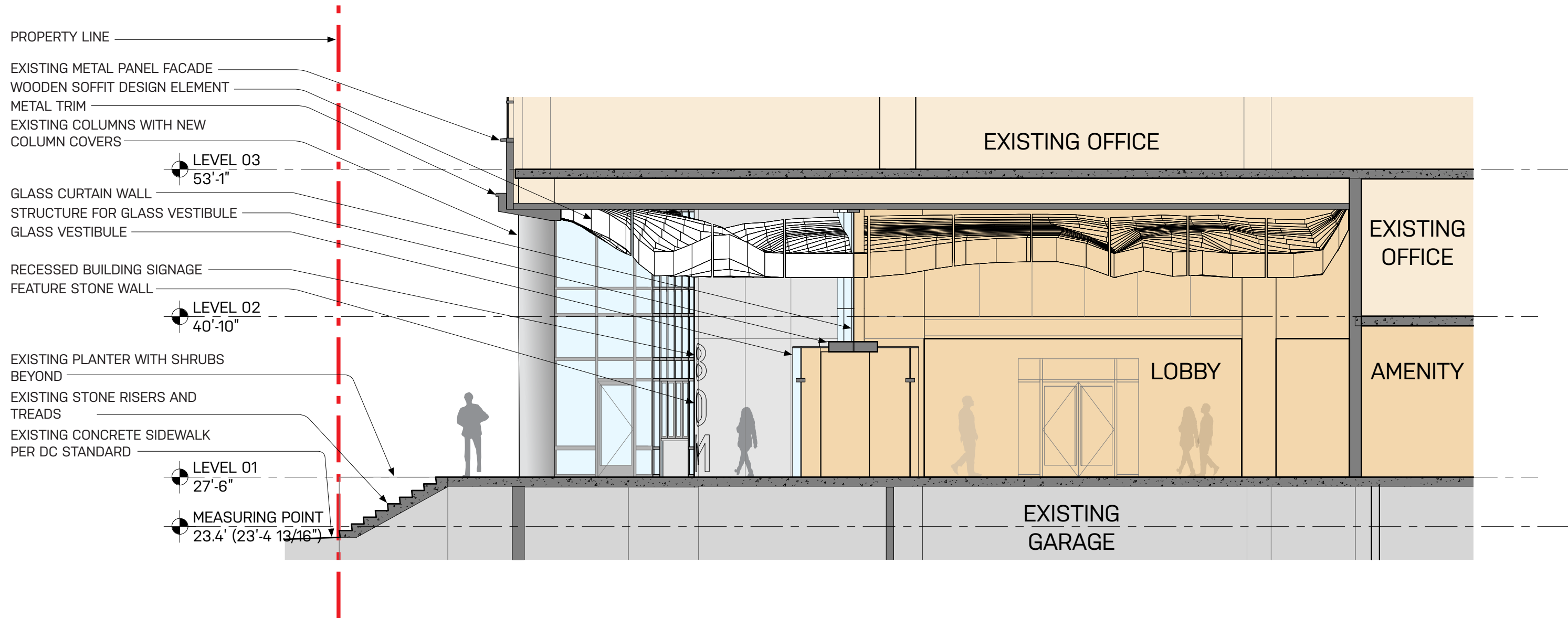
## stepped gradient

## concaved gradient

## convexed gradient



# Partial section at entry



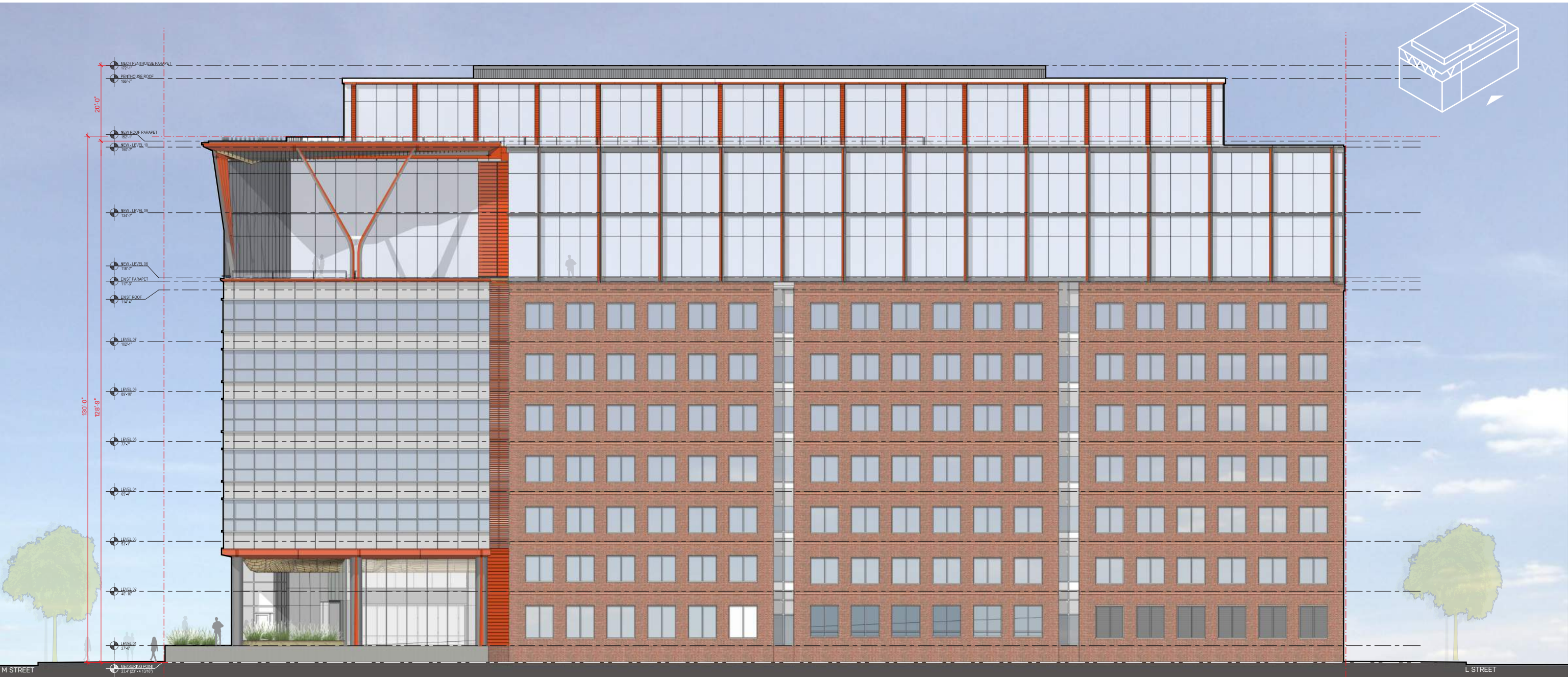


Proposed Entry



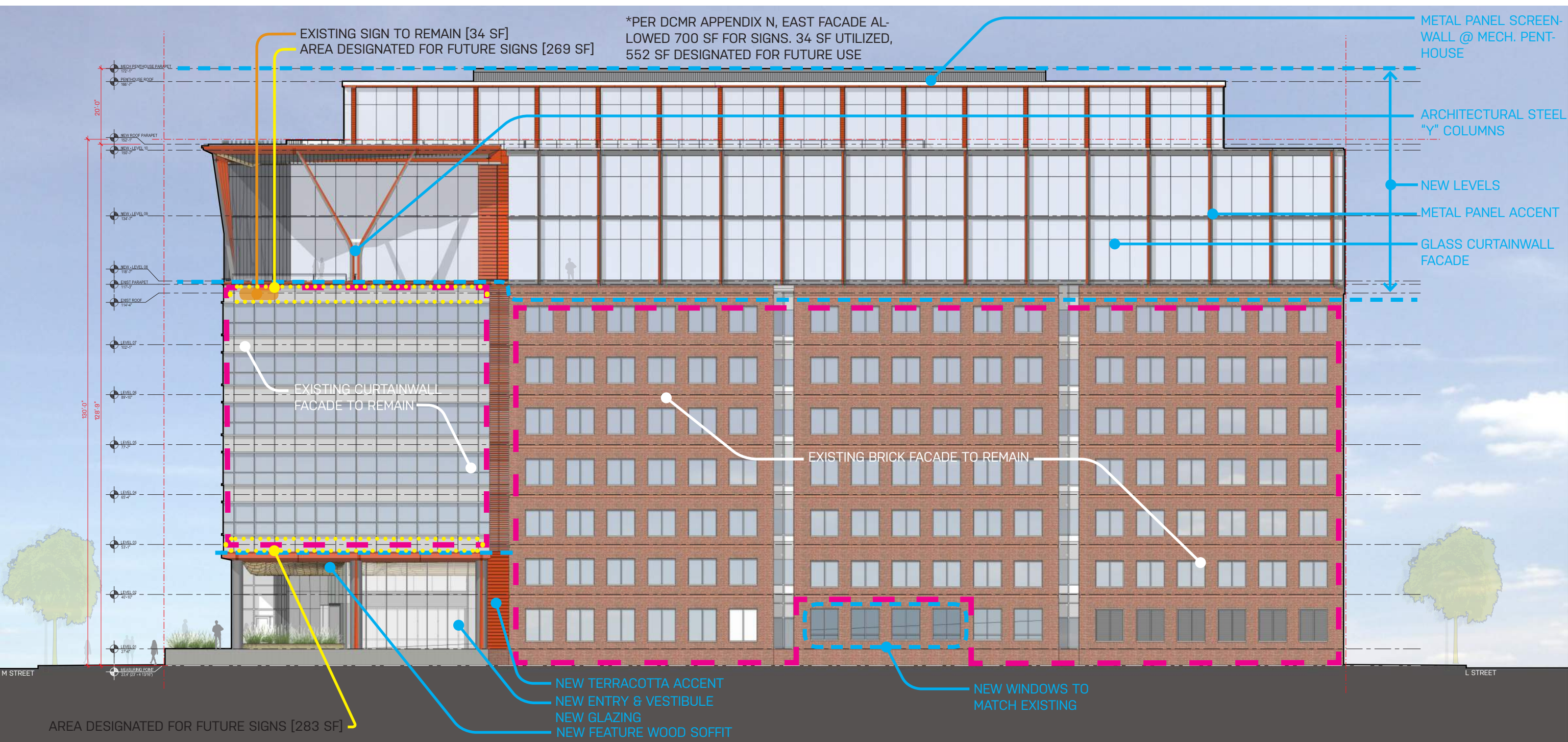


# East Elevation



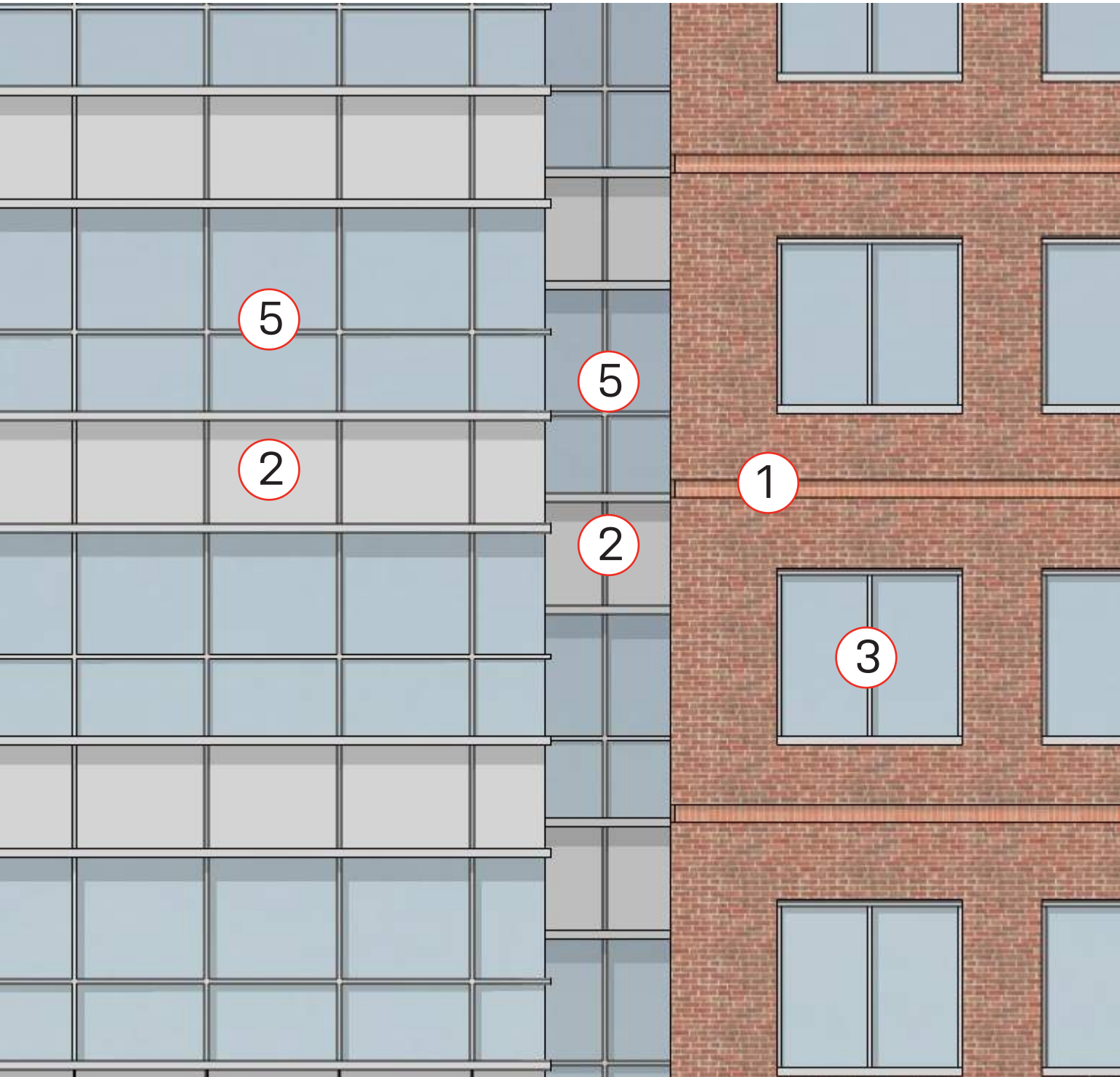


# East Elevation - notated





# Material board - existing



1. BRICK



2. METAL PANEL



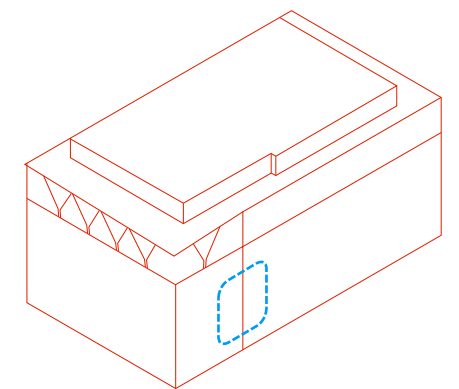
3. MULLIONS AND GLAZING



4. STONE SITE PAVERS

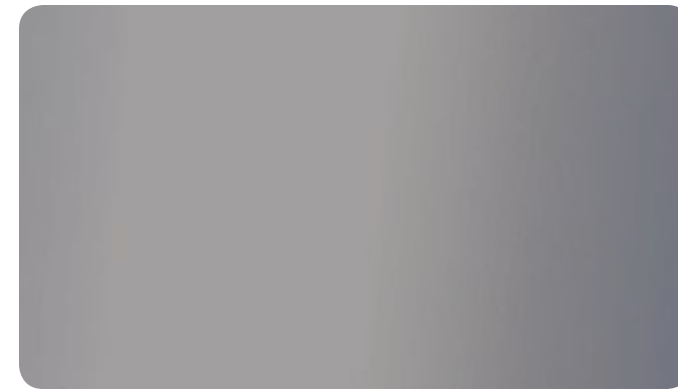
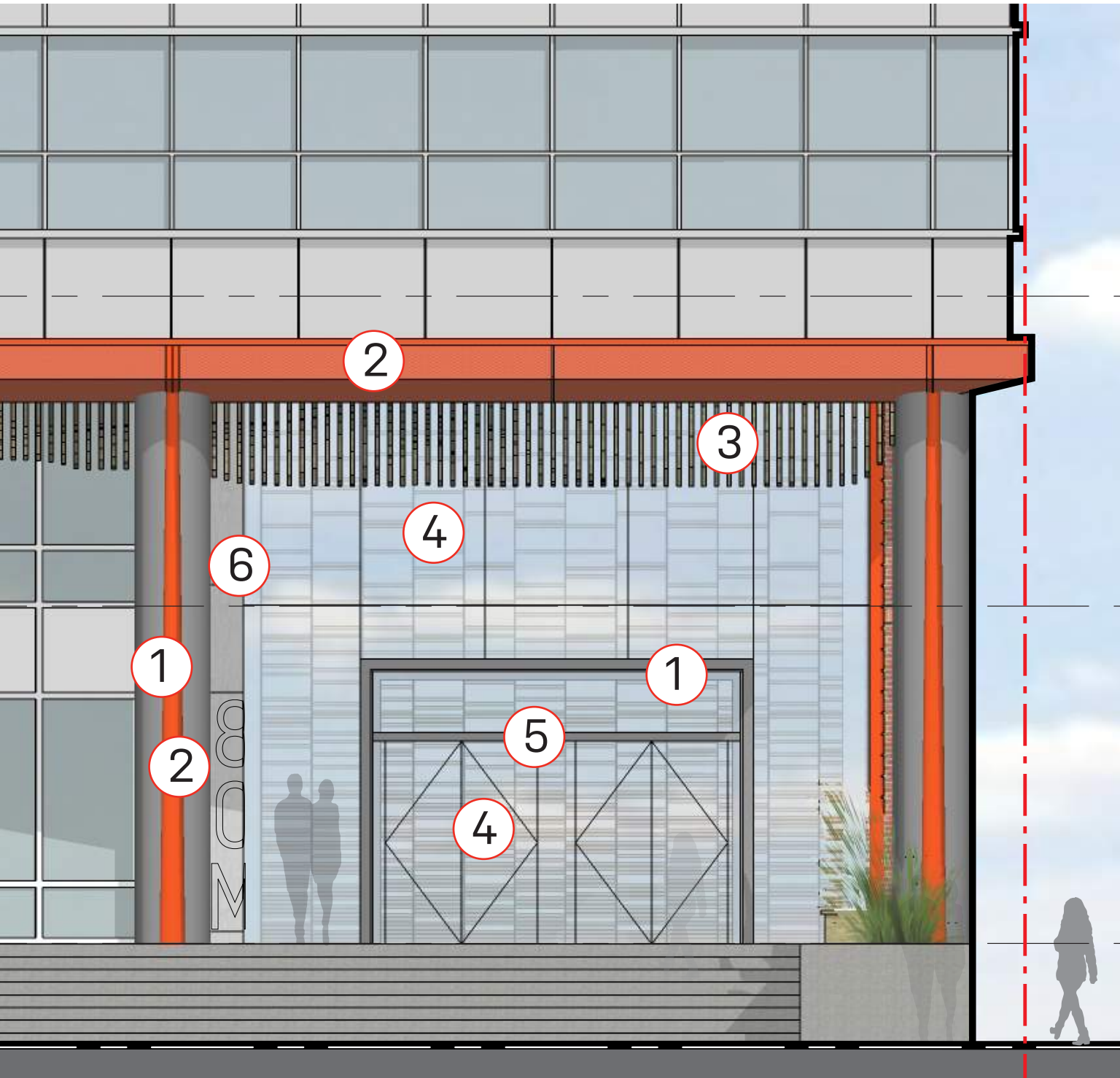


5. CURTAIN WALL





# Material board - proposed



1. METAL



2. METAL



3. WOOD



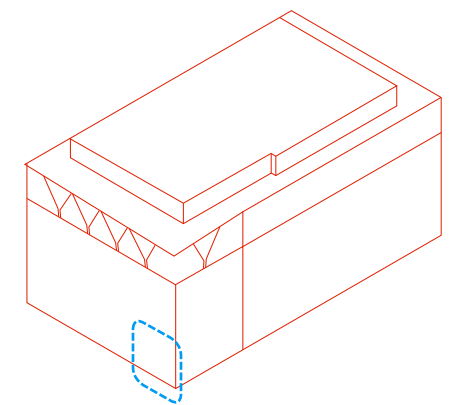
4. GLAZING



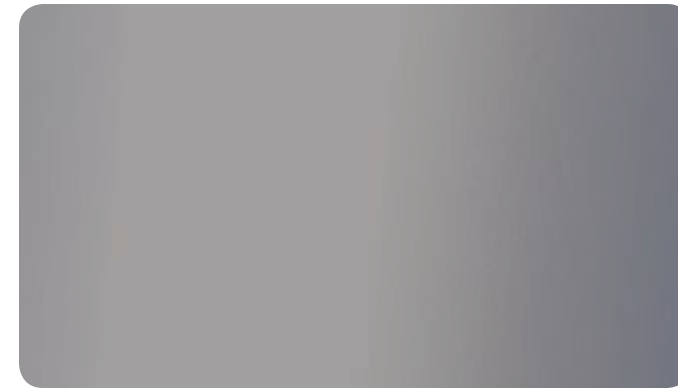
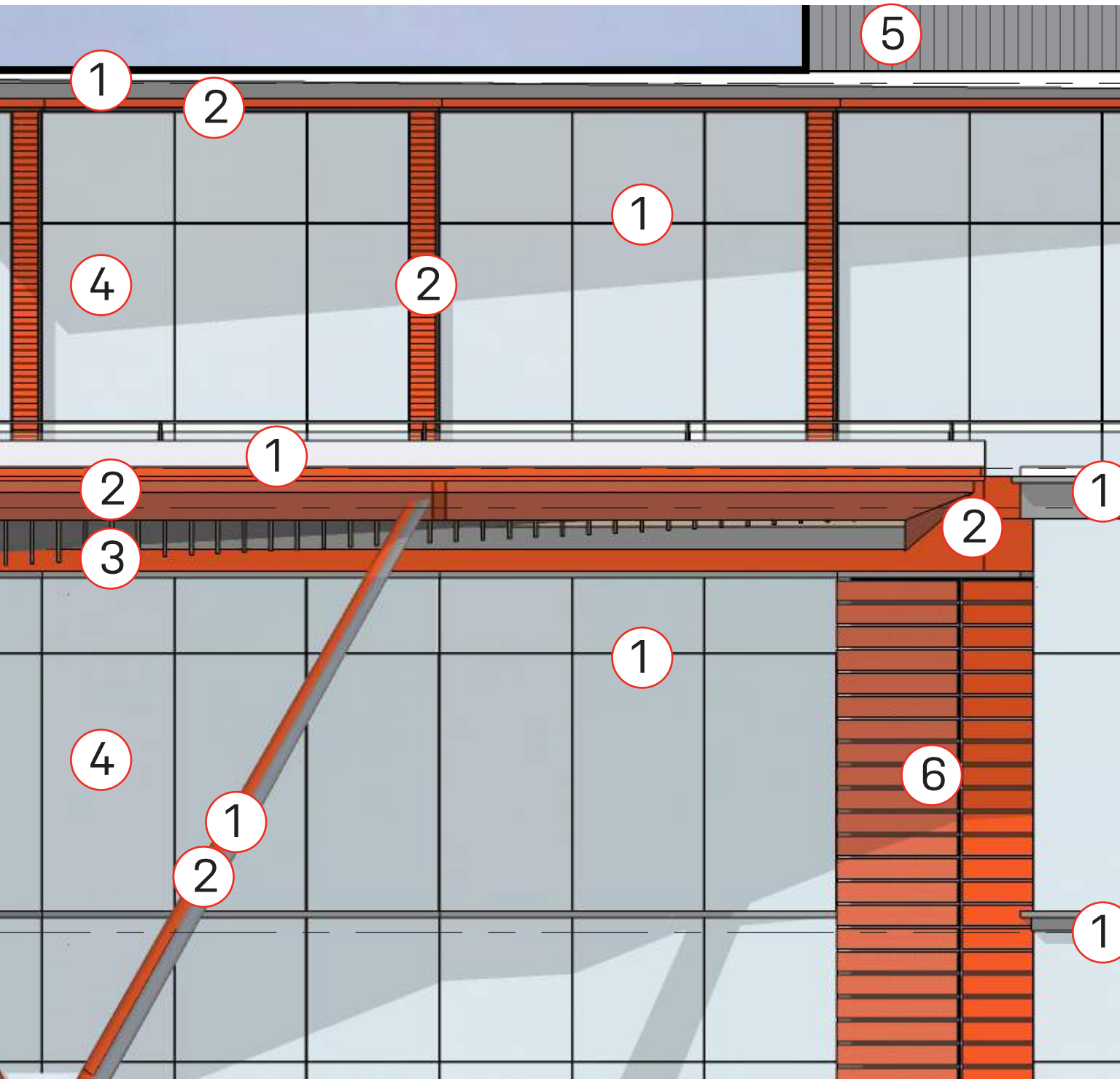
5. STAINLESS STEEL



6. STONE



# Material board - proposed



1. METAL



2. METAL



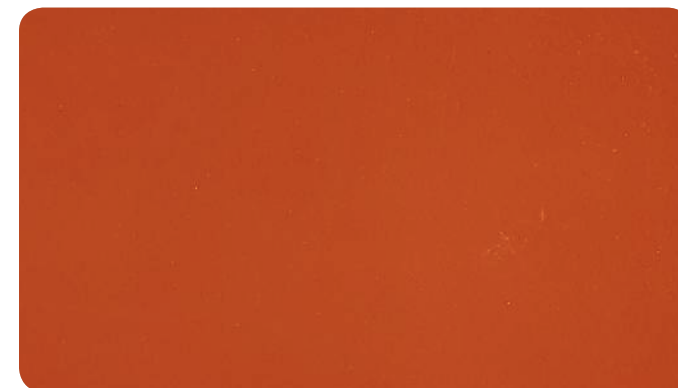
3. WOOD



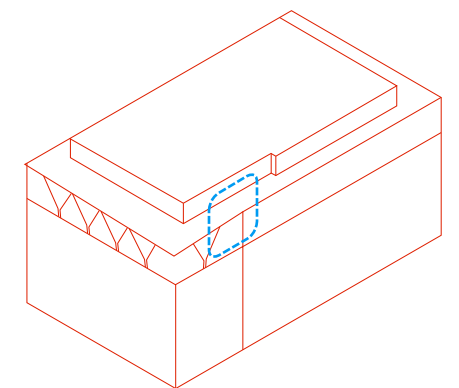
4. GLAZING



5. SCREEN



6. TERRACOTTA





# Proposed Terrace & Canopy



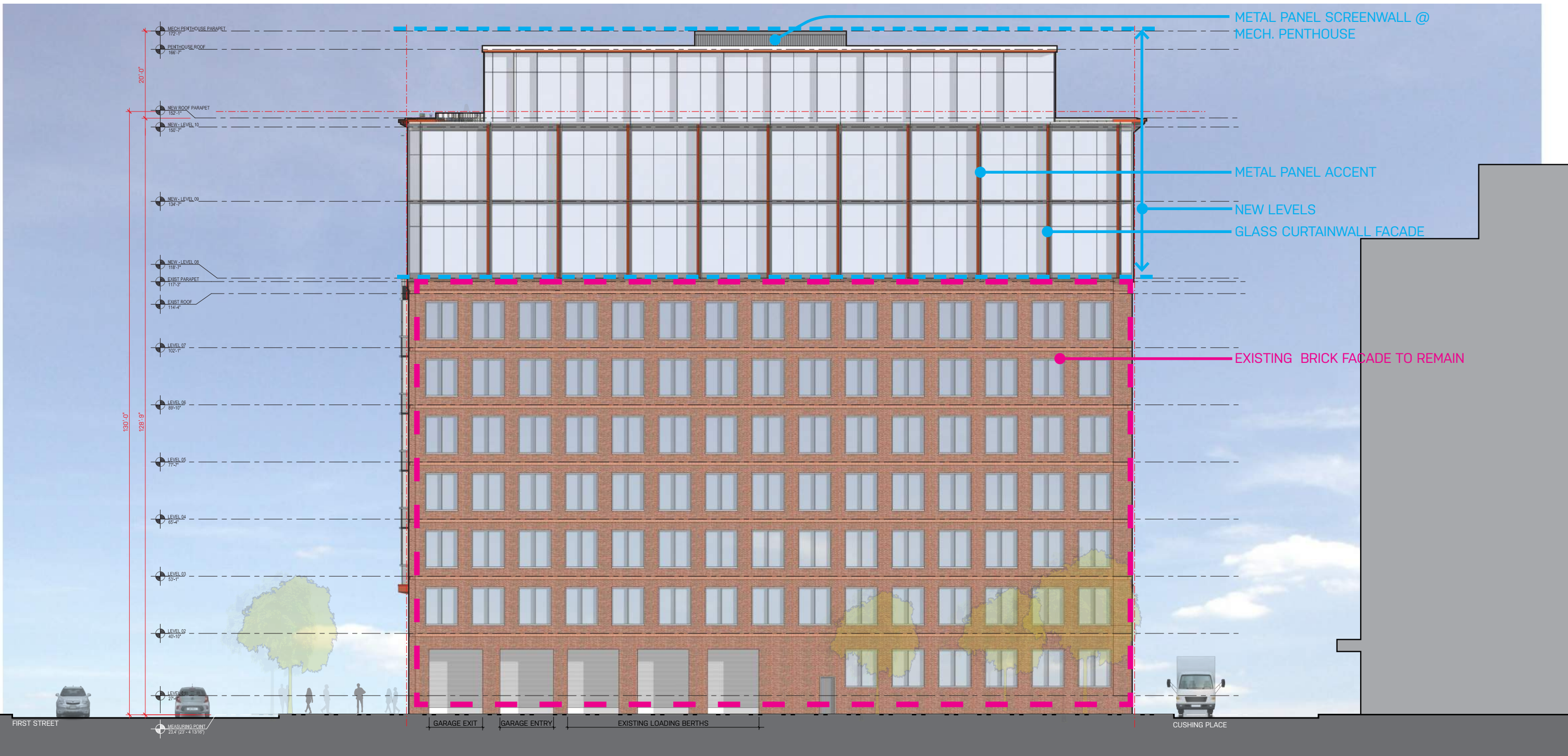


# Proposed Roof Terrace





# North Elevation - notated



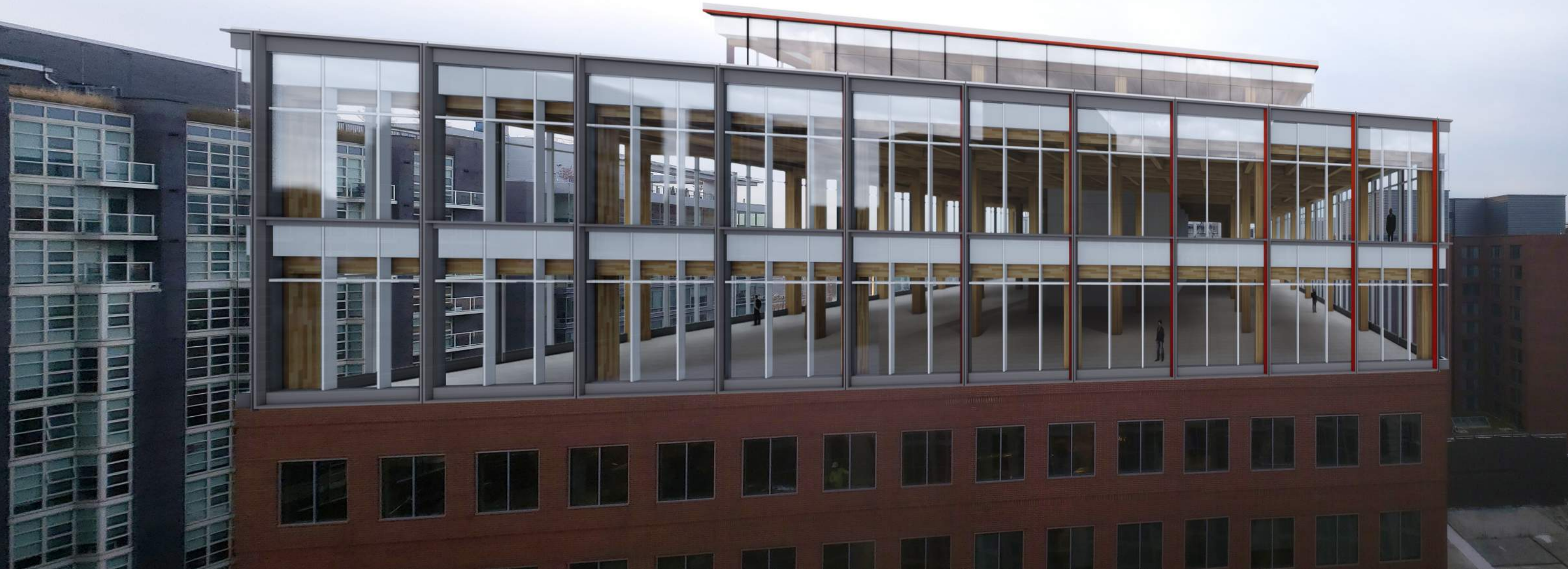


# Existing North Elevation





# Proposed North Elevation





THANK YOU

