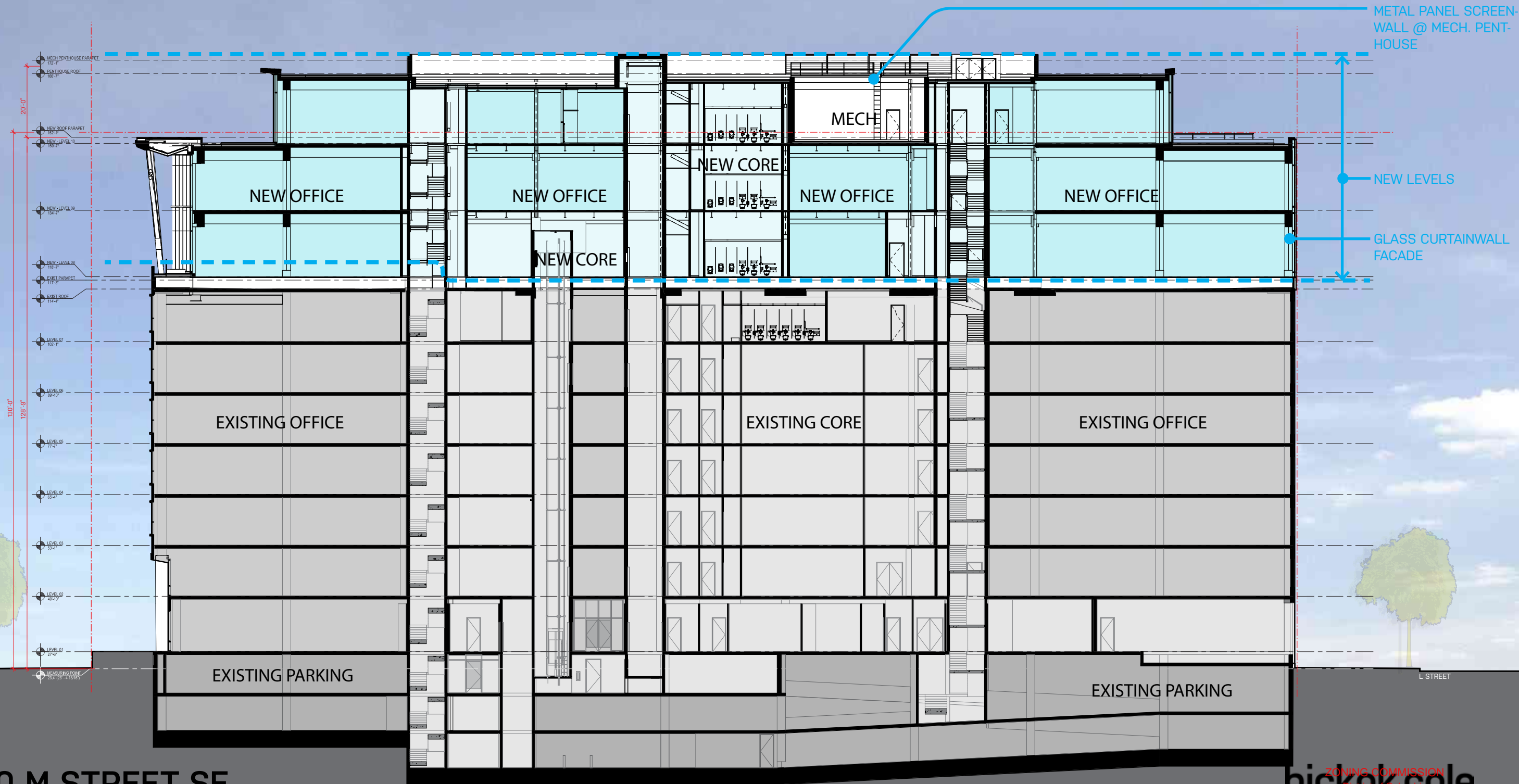
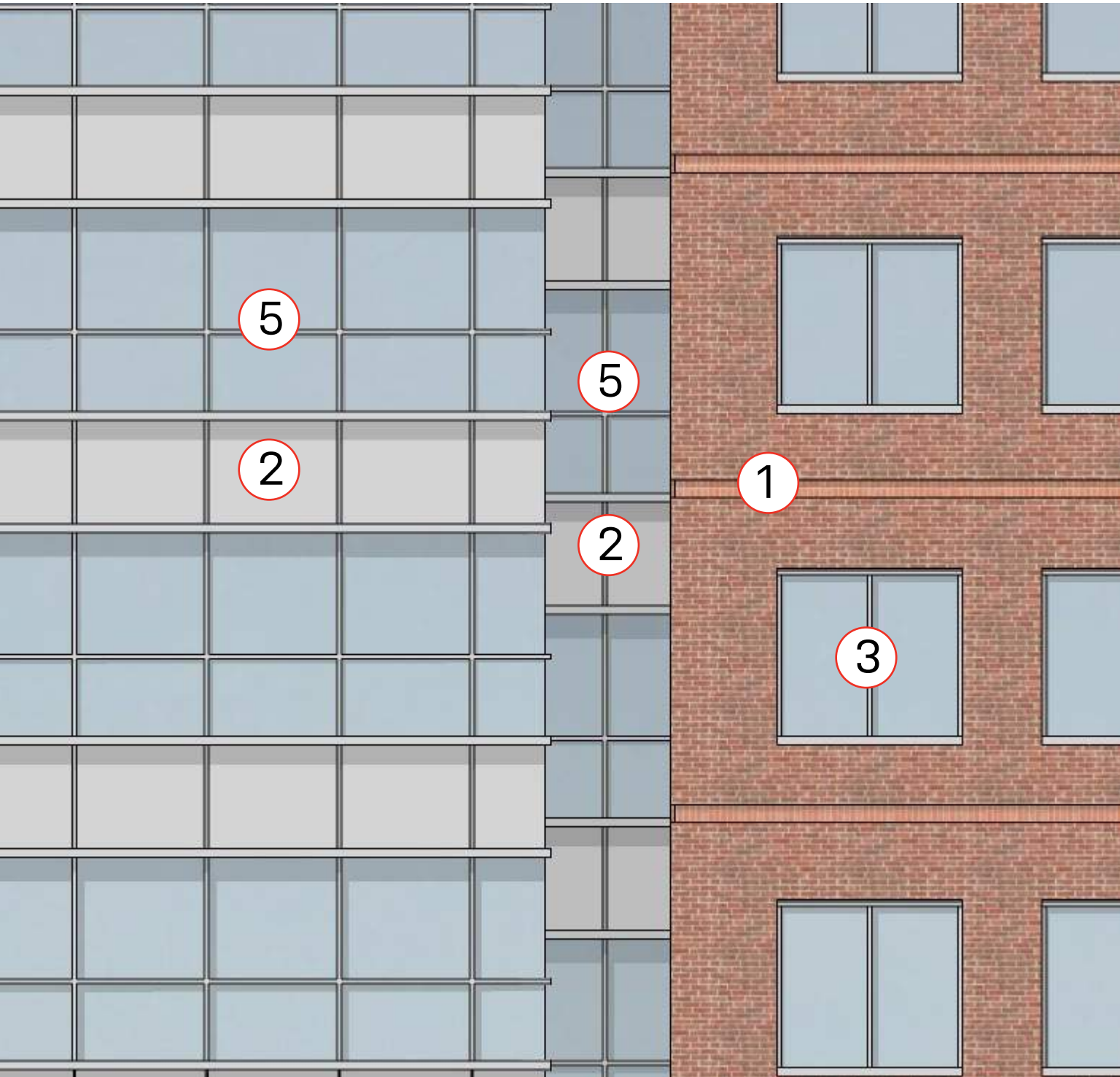


Cross section - notated



Material board - existing



1. BRICK



2. METAL PANEL



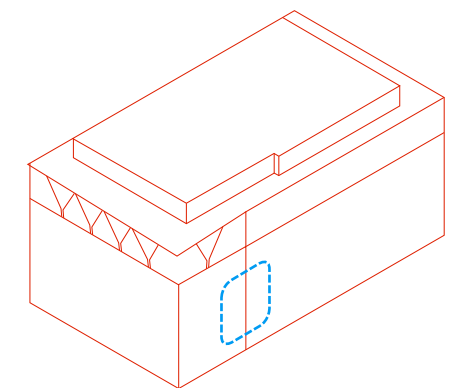
3. MULLIONS AND GLAZING



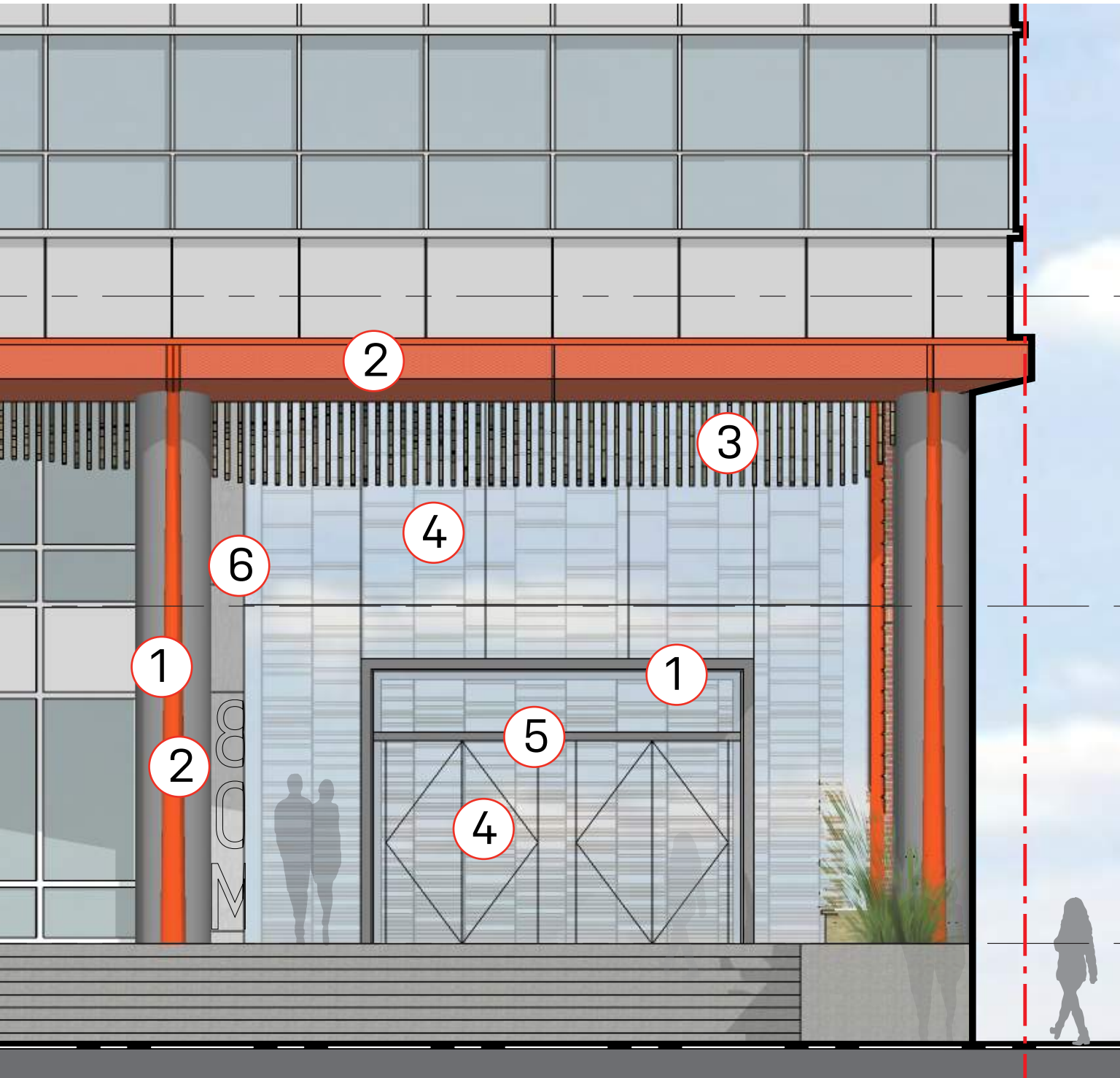
4. STONE SITE PAVERS



5. CURTAIN WALL



Material board - proposed



1. METAL



2. METAL



3. WOOD



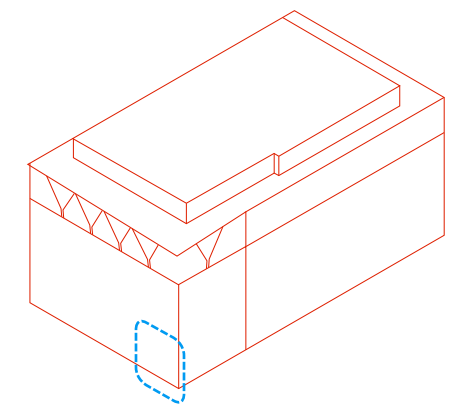
4. GLAZING



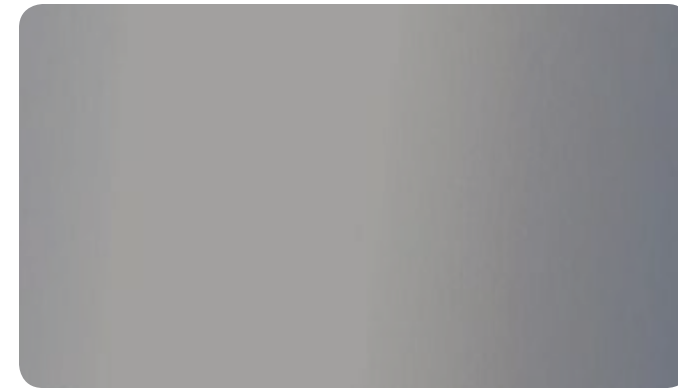
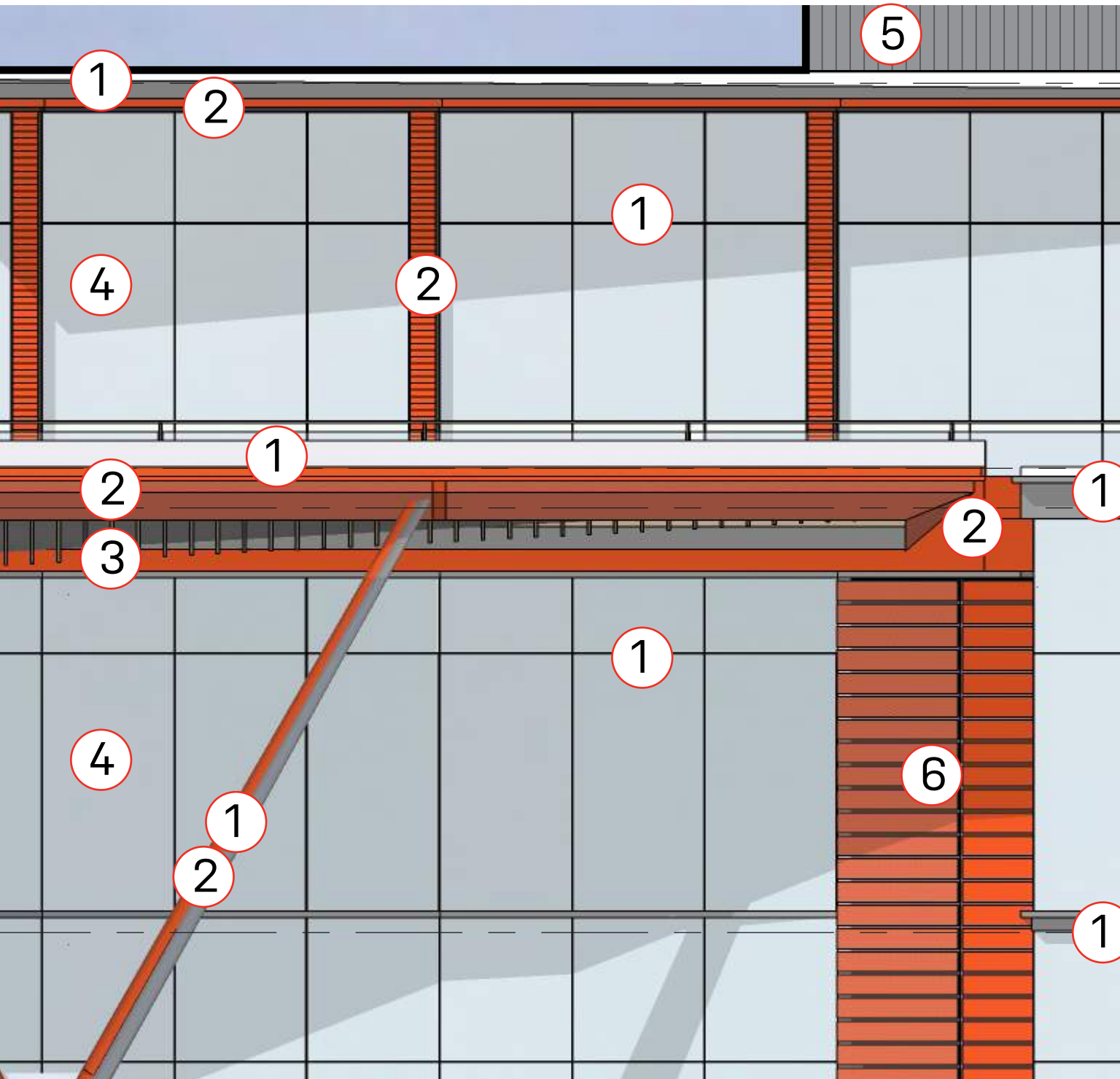
5. STAINLESS STEEL



6. STONE



Material board - proposed



1. METAL



2. METAL



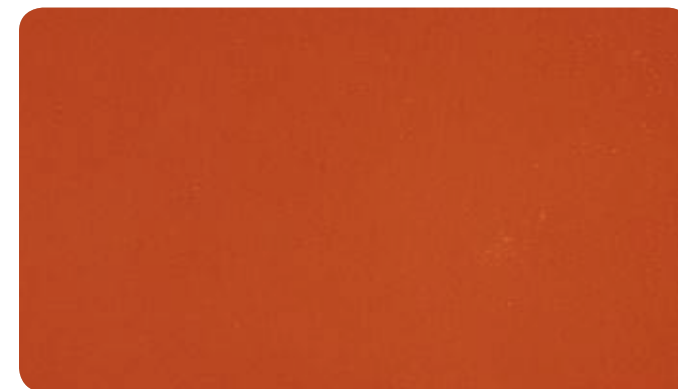
3. WOOD



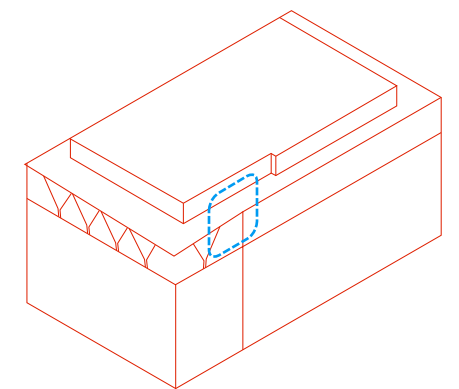
4. GLAZING



5. SCREEN



6. TERRACOTTA



Proposed Terrace & Canopy



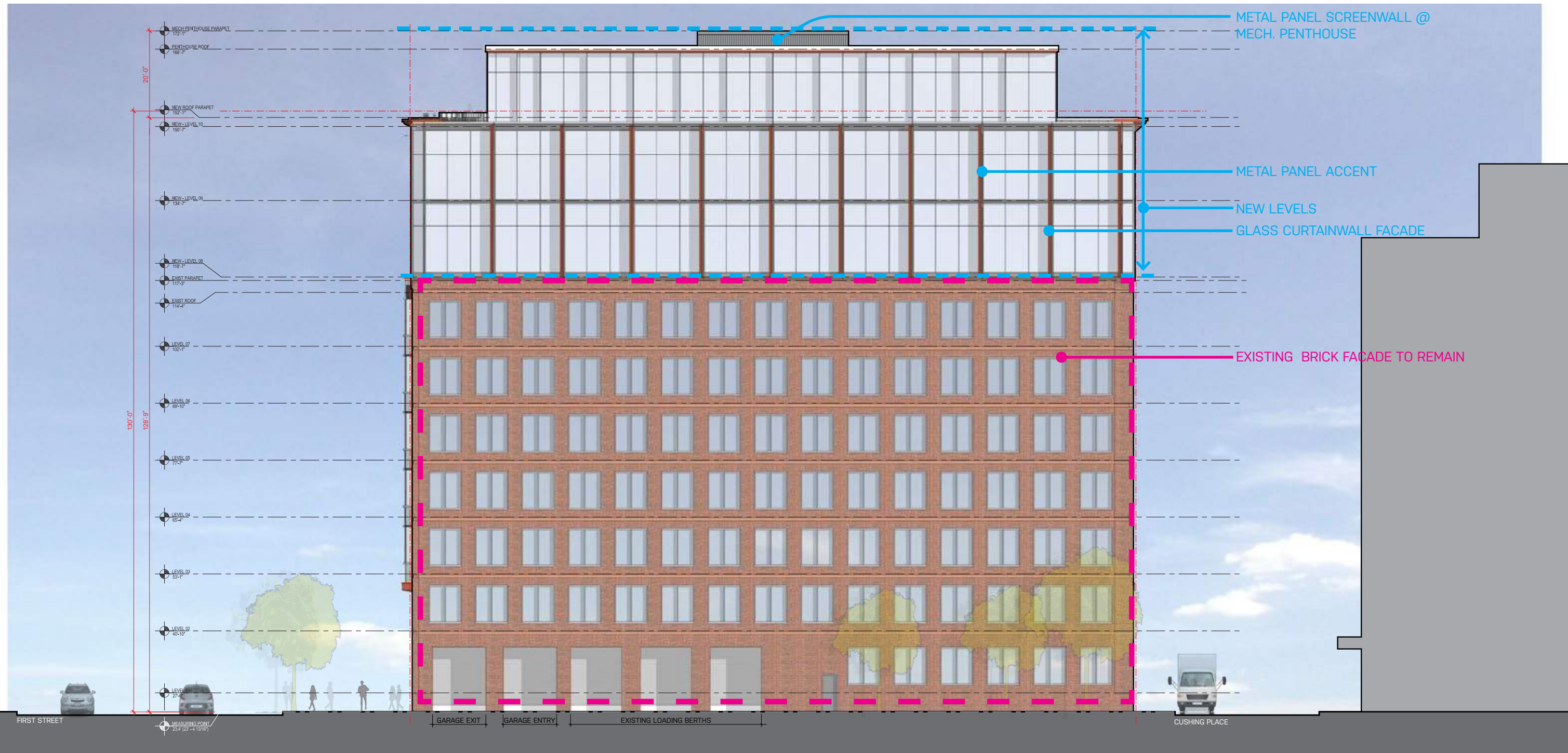
Proposed Roof Terrace



North Elevation



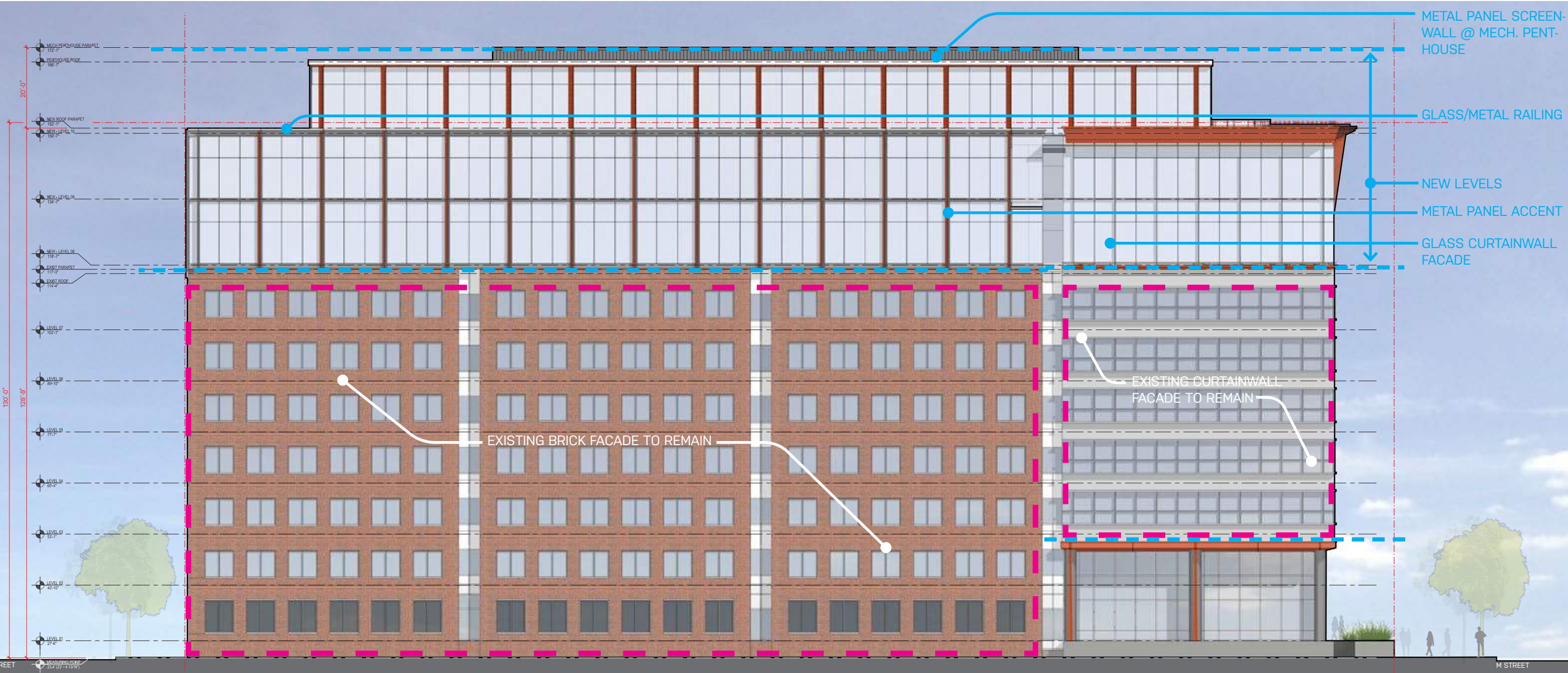
North Elevation - notated



West Elevation



West Elevation - notated



THANK YOU

