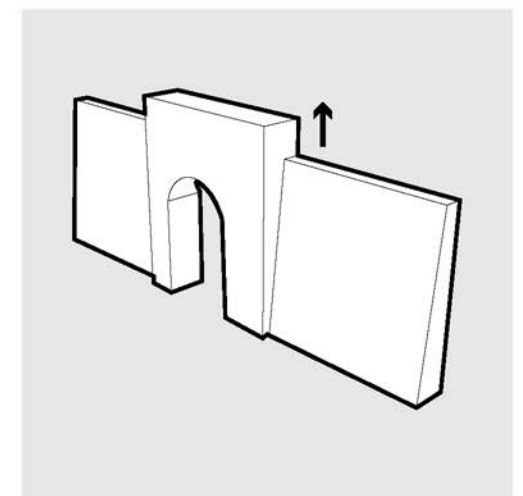
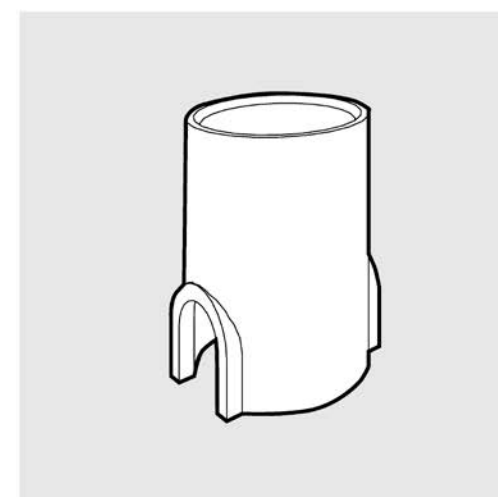
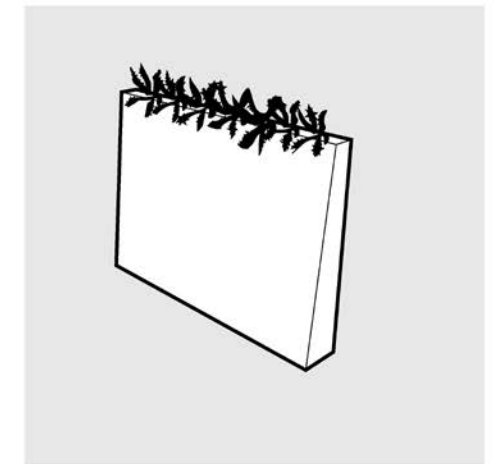
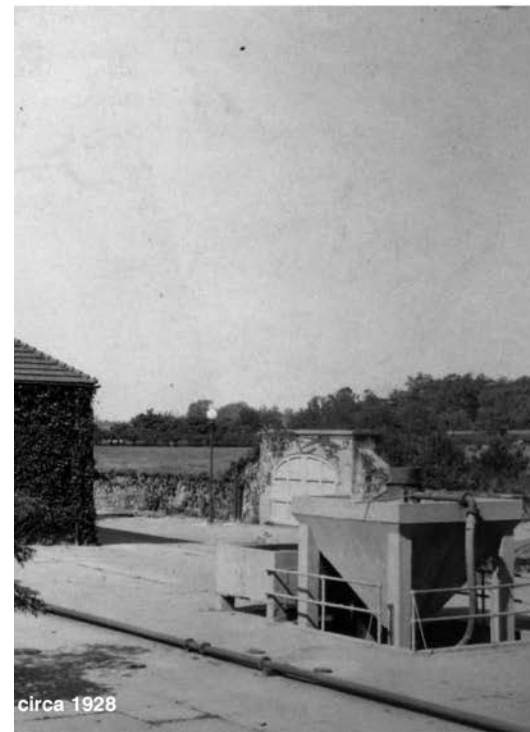
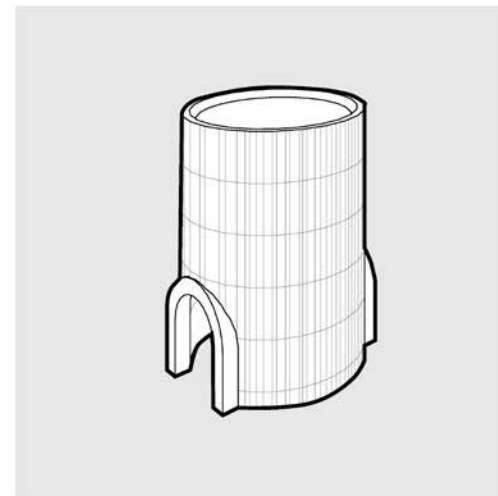
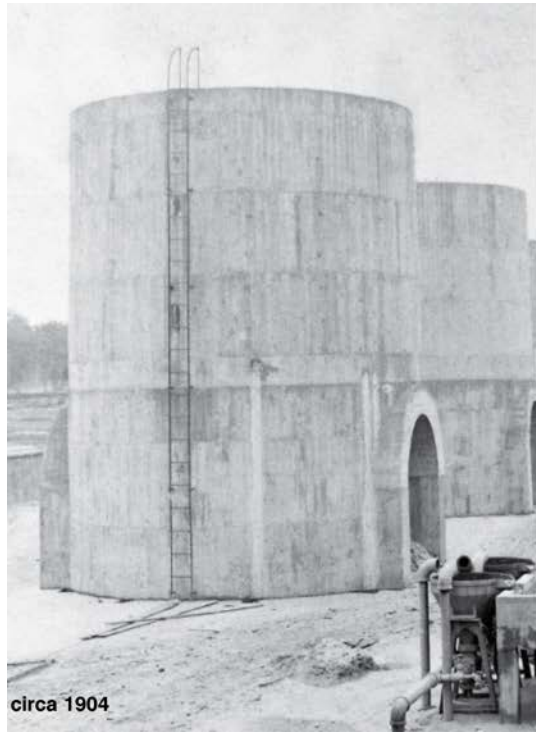
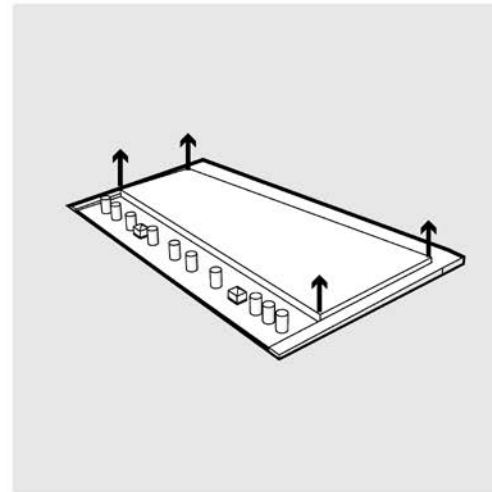


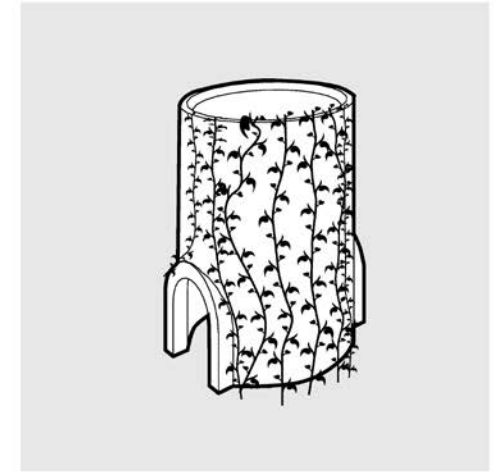
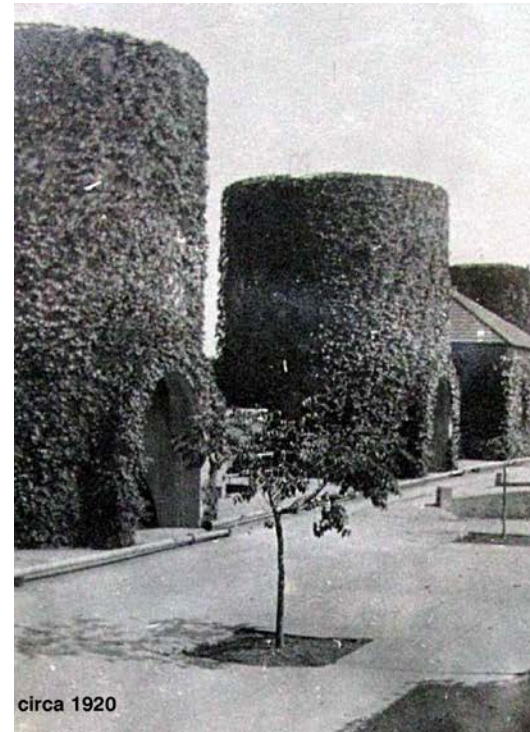


- Service Courts
- Service Court Walls
- Cells
- Olmsted Walk
- Silos & Regulator Houses

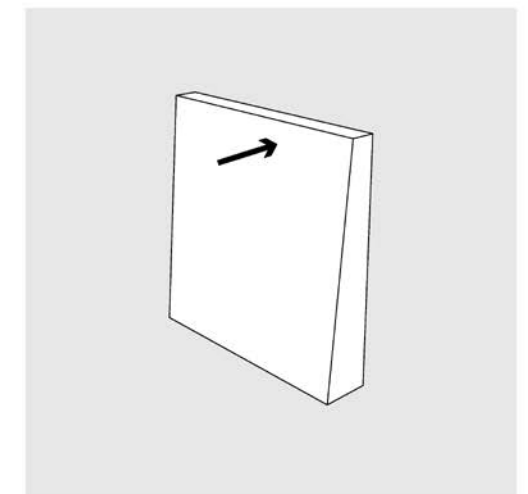
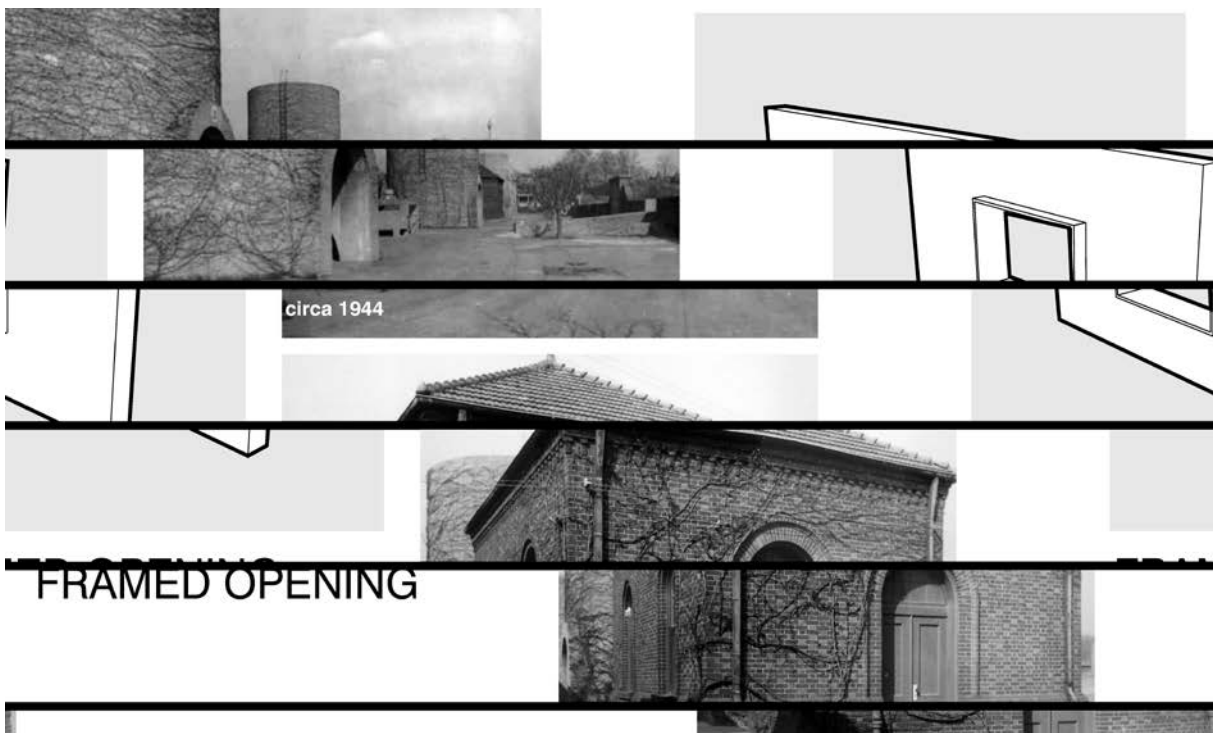




RAISED PLINTH



CLIMBING VEGETATION



CANTED CELL WALL

Key Elements:

- **UNIFIED PALETTE**
- **COMPATIBLE MATERIALS – both raw + refined**
- **SIMILAR FENESTRATION**
- **SIMPLE GEOMETRIES + MASSING**
- **NORTH SERVICE COURT**
 - Unified Podium
 - Setback above Podium
 - Walls Recalled
 - Congruent Storefronts
- **ROW HOUSES COMPOSED AS SINGULAR BUILDINGS**



Color Palette



Primary Building Color

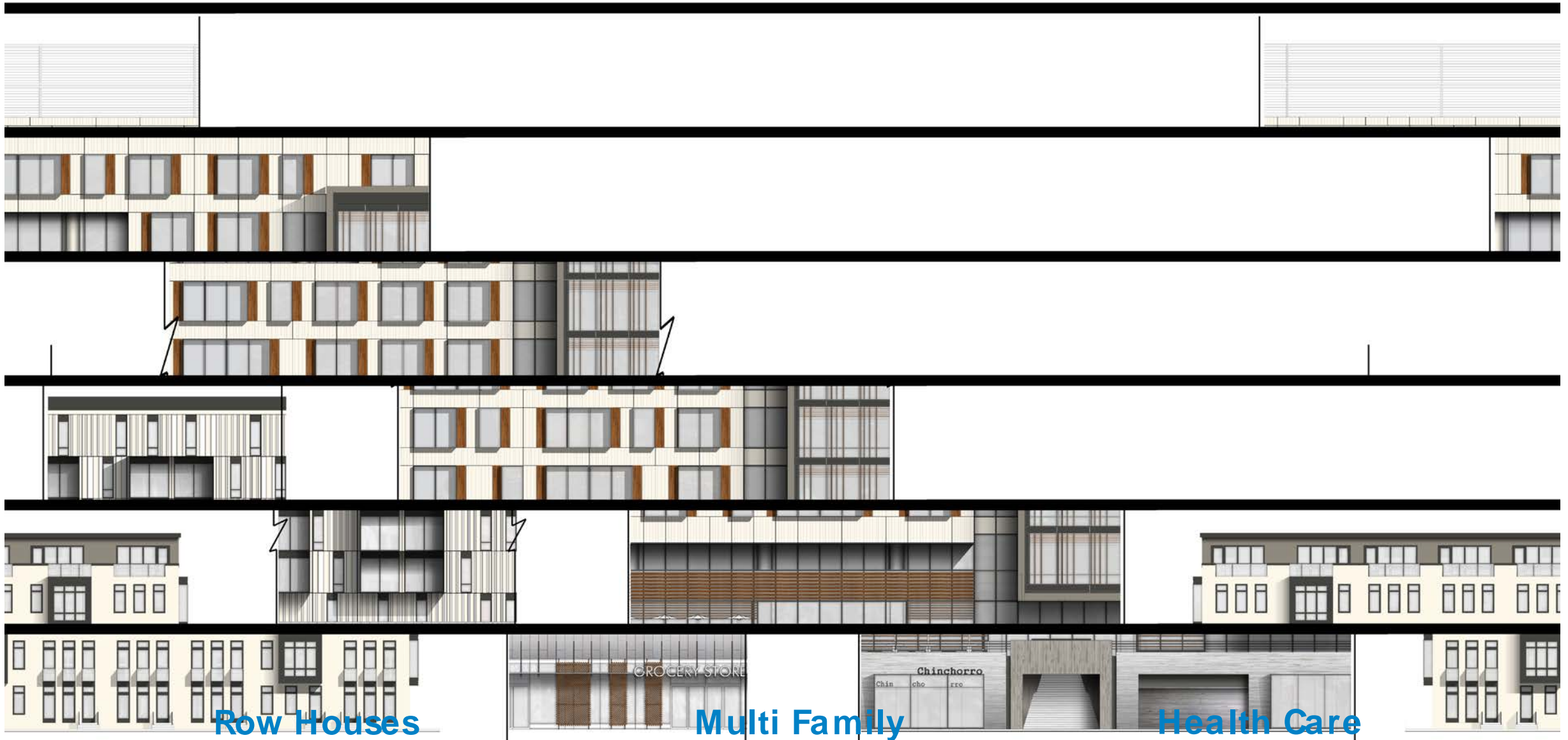


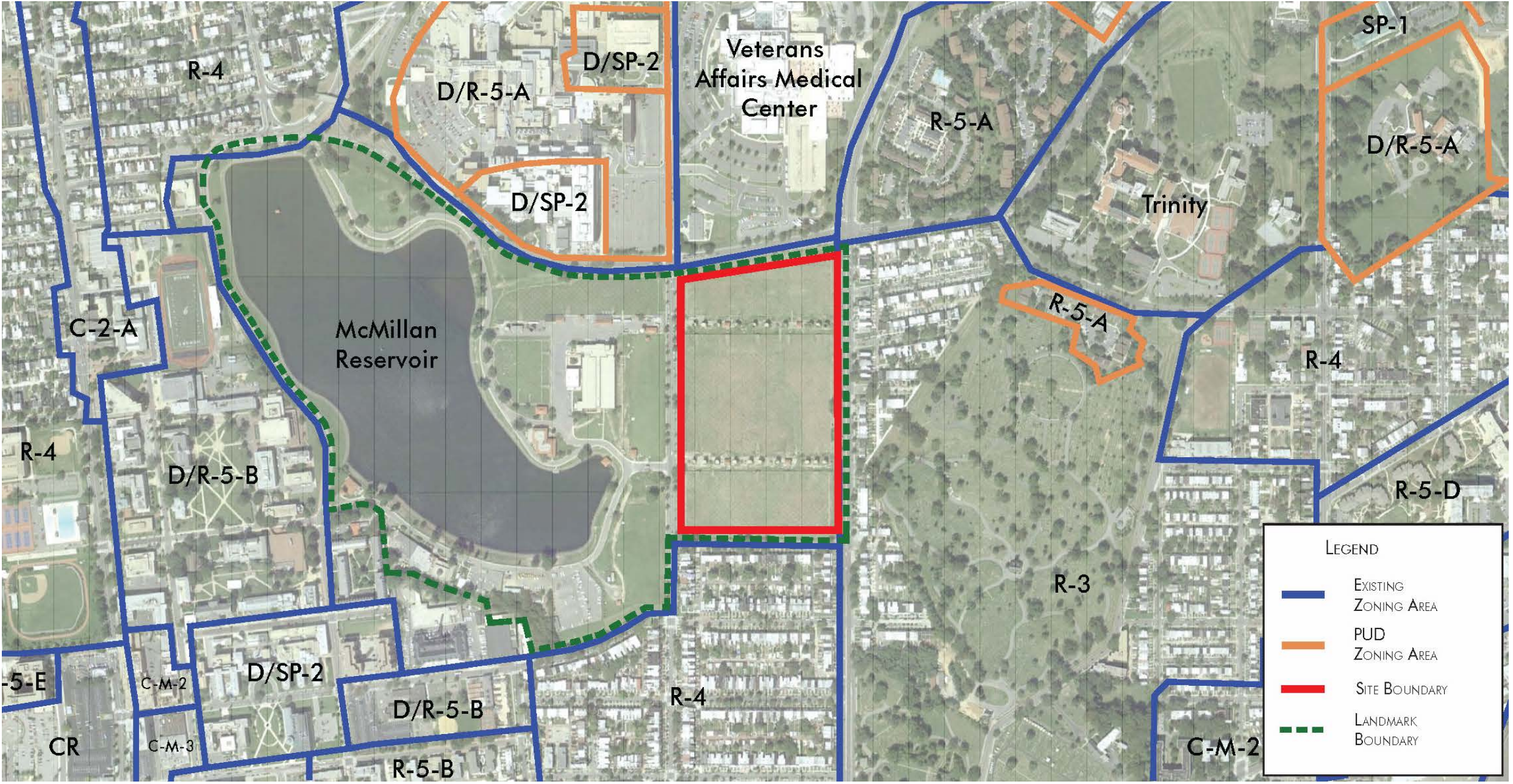
Fenestration, Railings,
Secondary Building
Color etc.

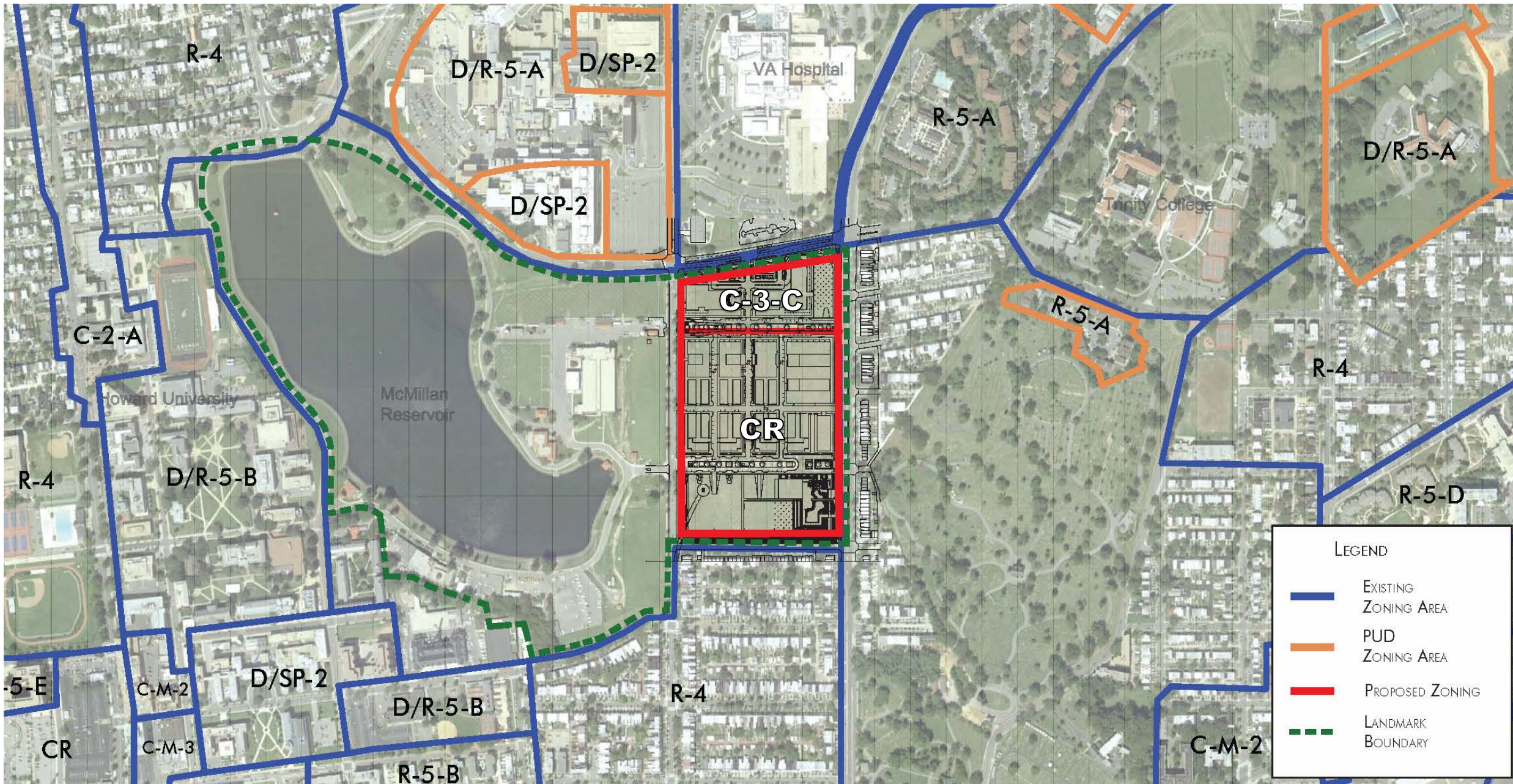


Tertiary Building Color,
Highlight Colors











- 90' to 130'
- 84 to 110'
- 60 to 110'
- Up to 48'



Health Care – Medical Office Buildings



Residential - Multi Family Buildings



Residential - Row Houses



Civic – Community Center



Retail Frontage



Phase 1
Consolidated PUD Package



Phase 2
Separate Stage 2 filing at a later date

