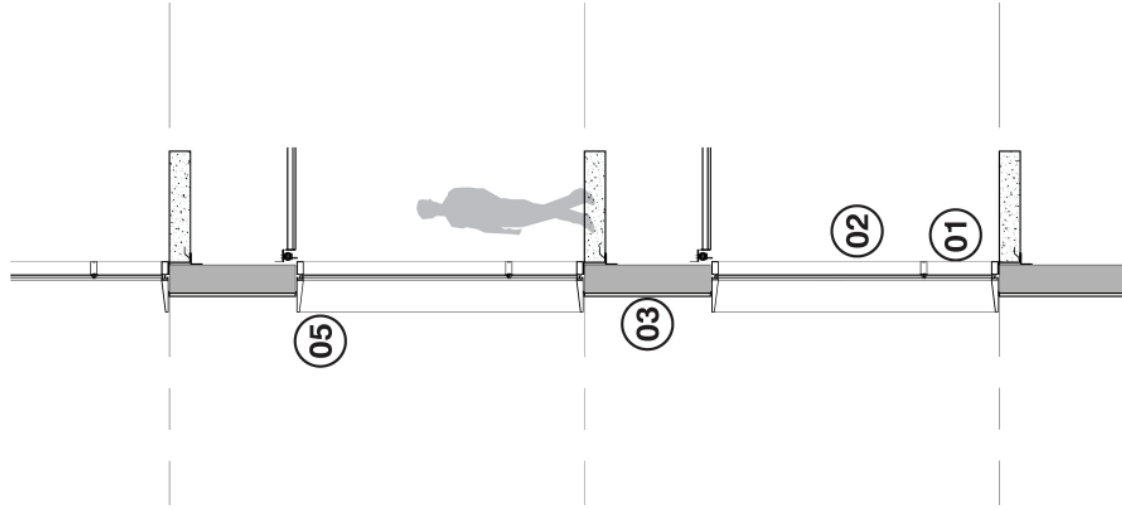
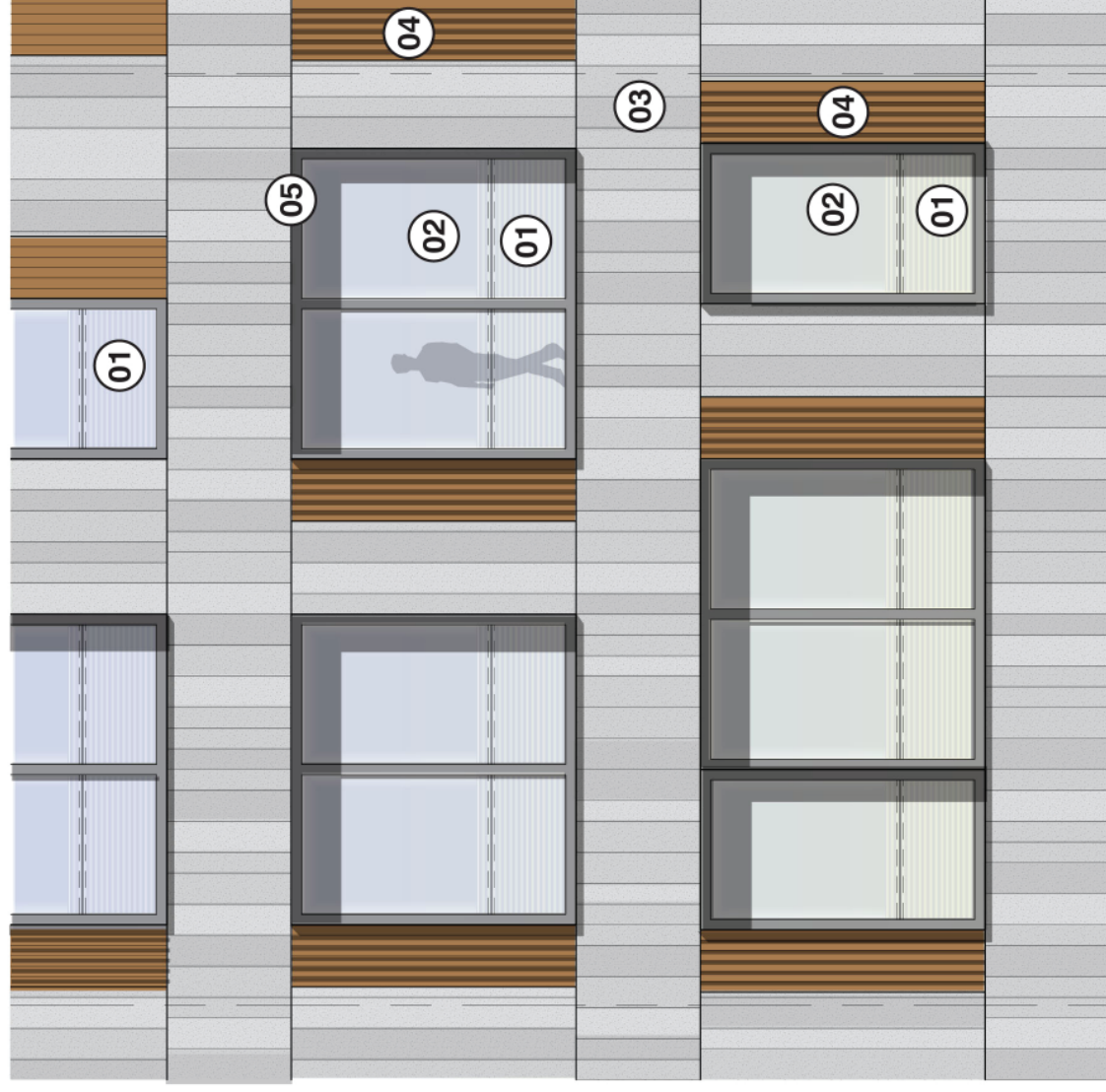


TERRACOTTA PRECEDENTS



SECTION



ELEVATION

05 METAL WINDOW SURROUND

04 BROWN TERRACOTTA PANELS

03 LIGHT COLORED TERRACOTTA PANELS. COLOR VARIATION FROM TEXTURE OR TERRACOTTA COLOR

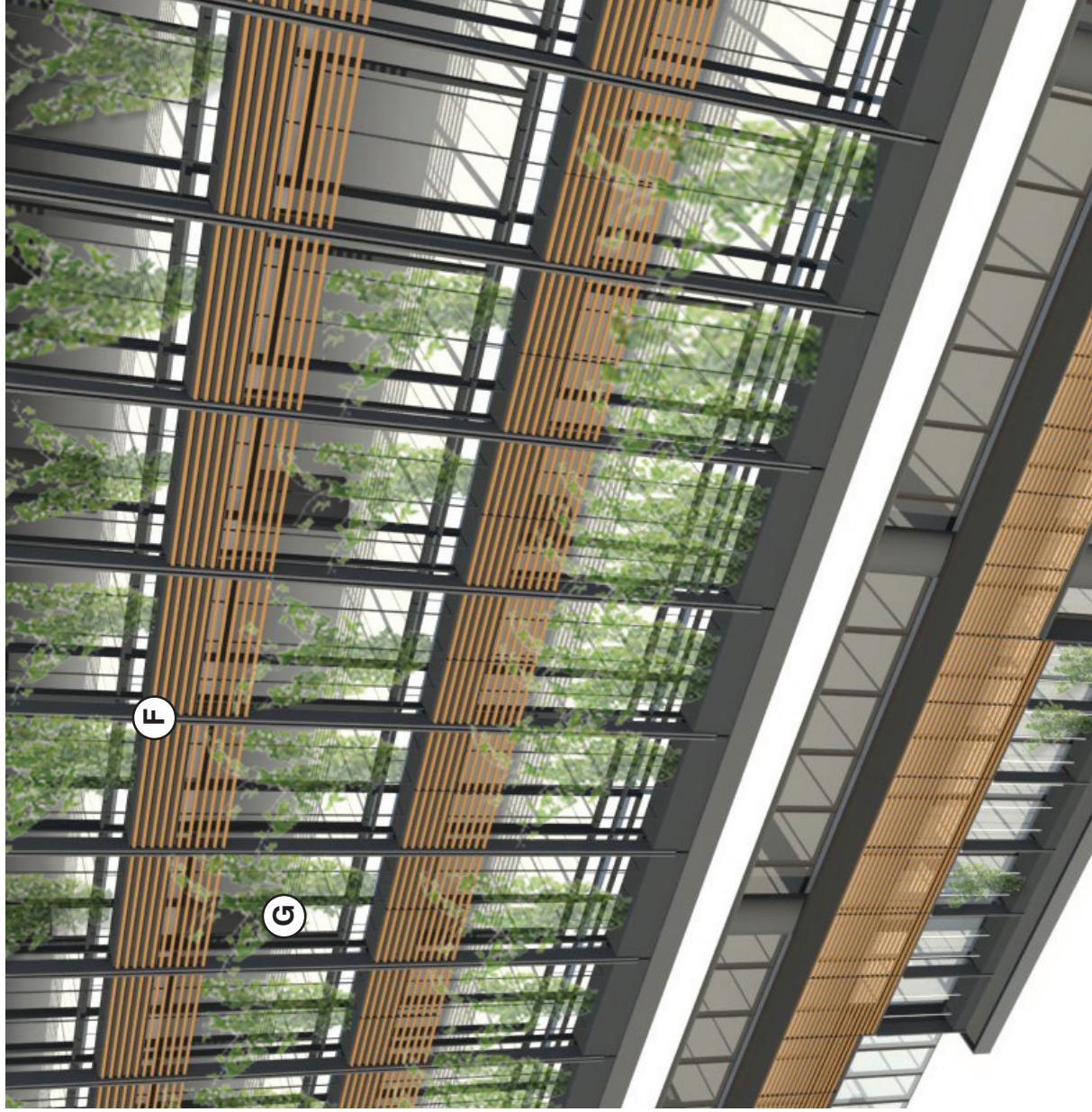
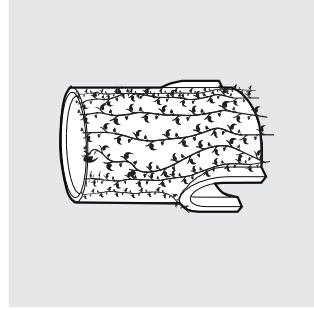
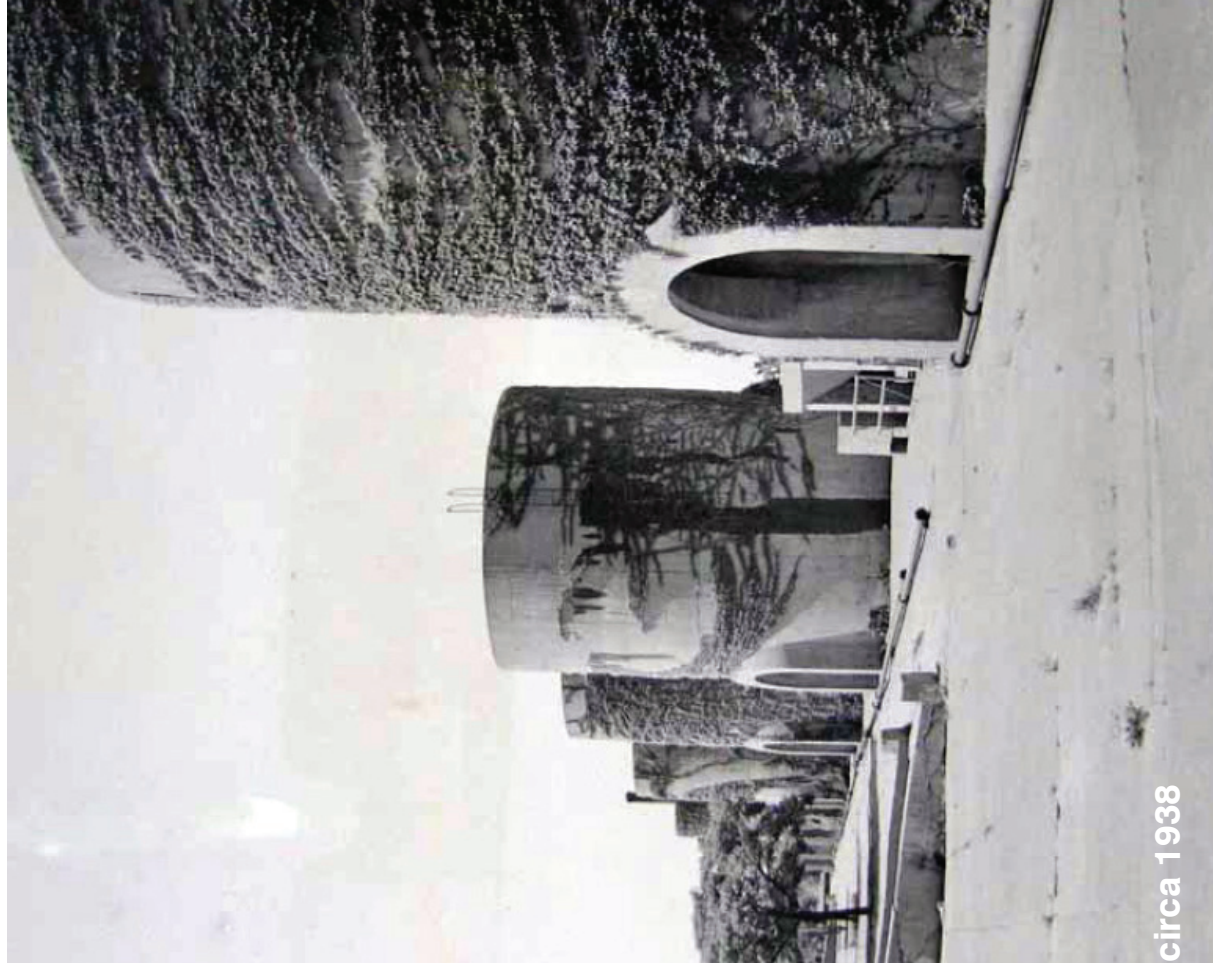
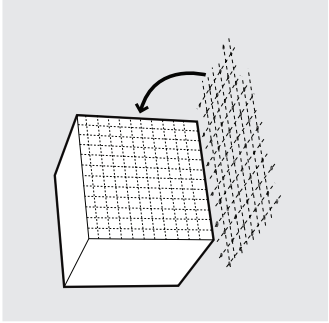
02 METAL GLAZING SYSTEM WITH LOW-E COATED INSULATED GLASS

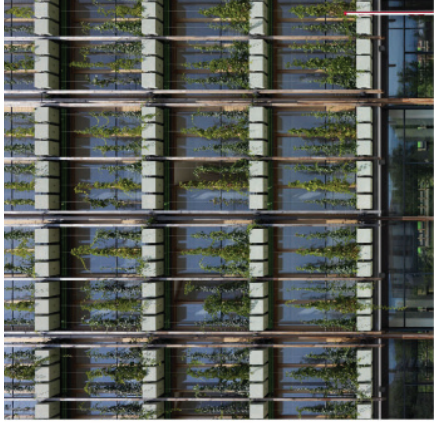
01 CAPLESS MULLION
LOW-E COATED FRITTED GLASS

1. Flexibility is requested to vary the final selection of the exterior materials within the color ranges and general material types proposed, based on availability at the time of construction without reducing the quality of materials.

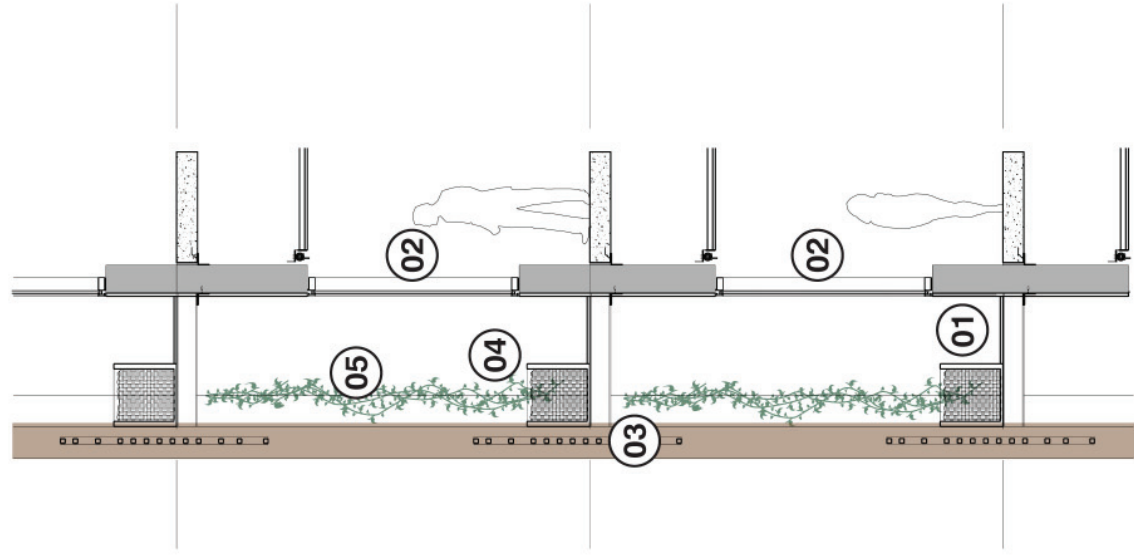
2. Flexibility is requested to make minor refinements to exterior details and dimensions, including belt courses, sills, bases, cornices, railings and trim, or any other changes to comply with the building codes or that are otherwise necessary to obtain a final building permit.

SCREEN FACADE DIAGRAMS

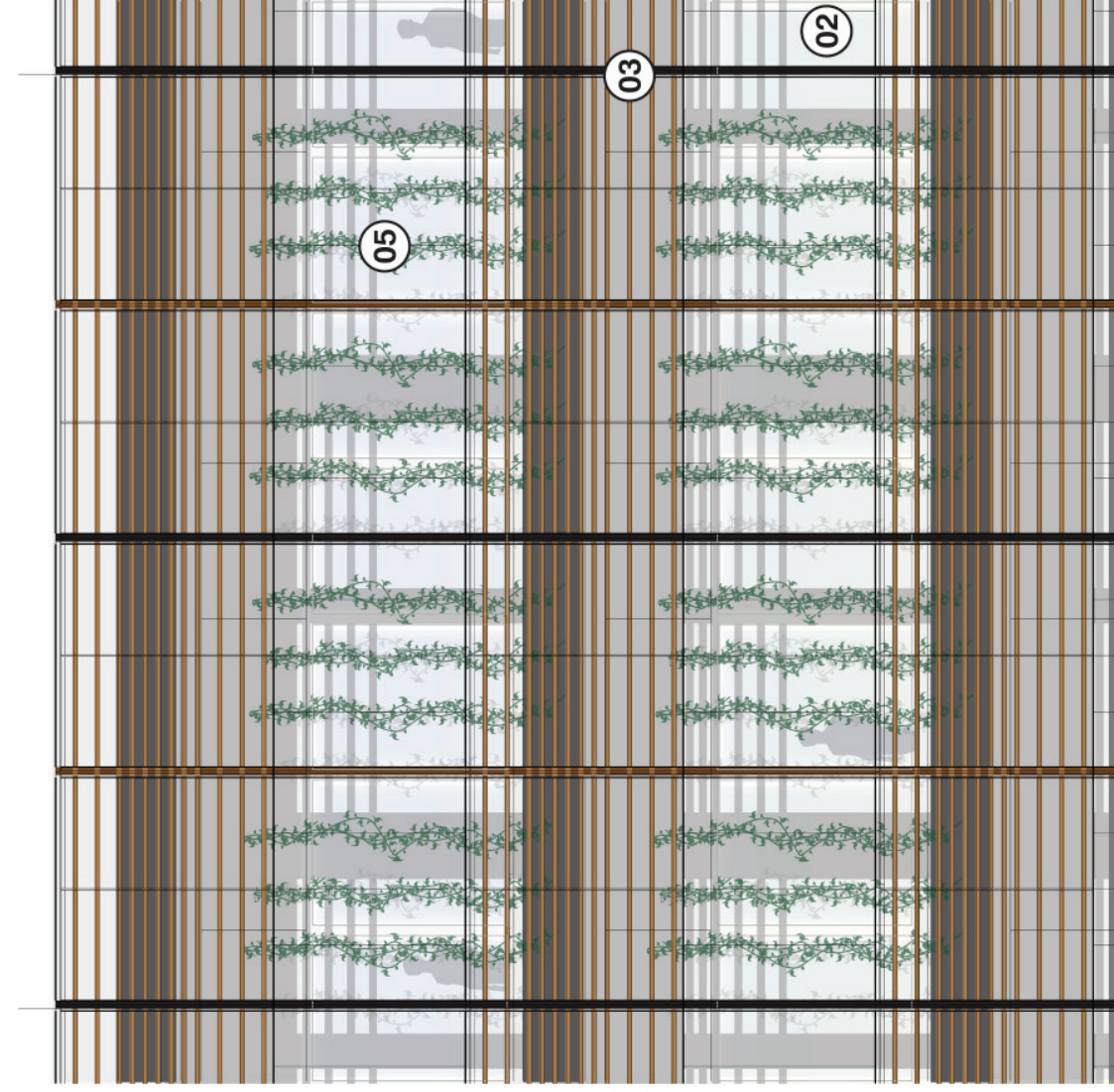




SCREEN PRECEDENTS



SECTION

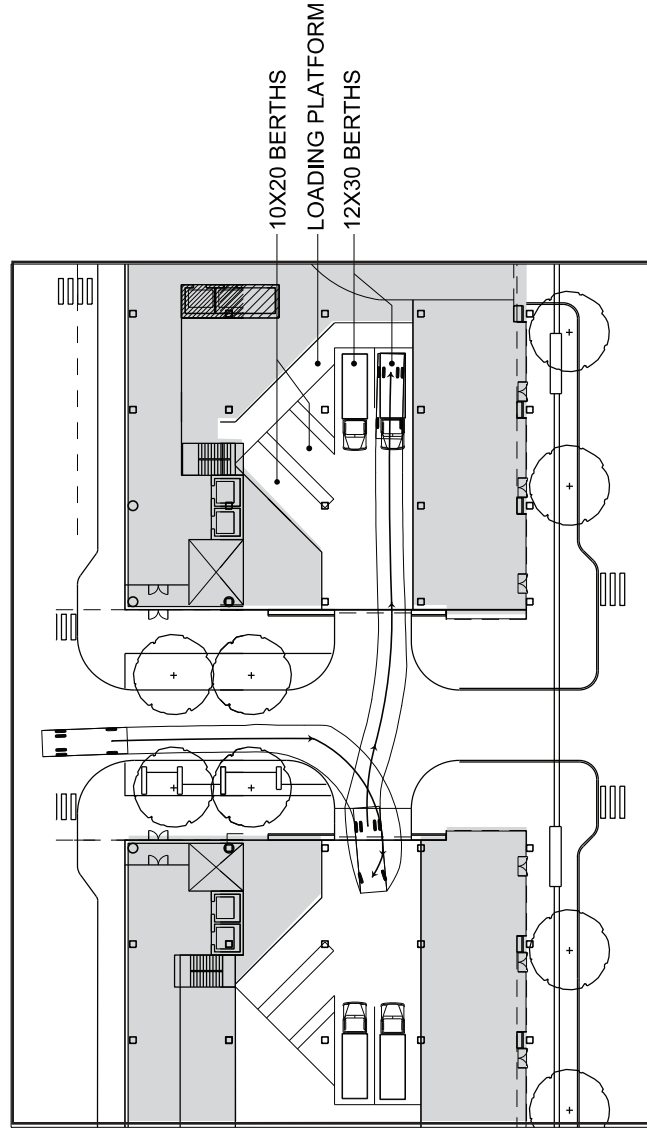
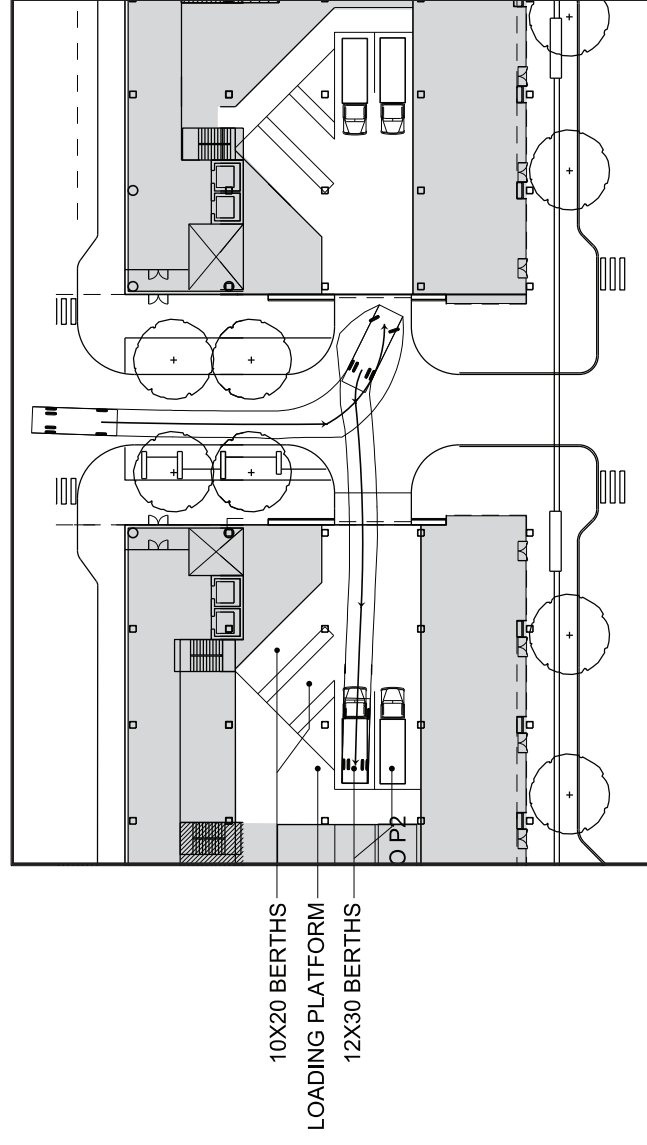


ELEVATION

- 05 VINES GROWING UP CABLE GUIDES
- 04 PLANTER FOR VINES
- 03 PROJECTED FRAME, WOOD OR TERRACOTTA BAGUETTES
- 02 METAL GLAZING SYSTEM WITH LOW-E COATED INSULATED GLASS
- 01 MAINTENANCE CATWALK

NOTES

1. Flexibility is requested to vary the final selection of the exterior materials within the color ranges and general material types proposed, based on availability at the time of construction without reducing the quality of materials.
2. Current retail storefront design is conceptual and for illustrative purposes only. Final designs will vary as tenant specific articulation, signage and diversity is designed.



NOTES:

Flexibility is requested to make refinements to parking and loading configurations, including layout, so long as the required parking and loading complies with the size, location, access, maintenance an operation requirements of DCMR11.

LEED 2009 for Core and Shell Development

Project Checklist



Project Name

Date

7	7	1	Possible Points: 28
Y	?	N	
Y			Prereq 1 Construction Activity Pollution Prevention
1			Credit 1 Site Selection 1
	1		Credit 2 Development Density and Community Connectivity 5
	1		Credit 3 Brownfield Redevelopment 1
	1		Credit 4.1 Alternative Transportation—Public Transportation Access 6
	1		Credit 4.2 Alternative Transportation—Bicycle Storage and Changing Rooms 2
	1		Credit 4.3 Alternative Transportation—Low-Emitting and Fuel-Efficient Vehicles 3
	1		Credit 4.4 Alternative Transportation—Parking Capacity 2
	1		Credit 5.1 Site Development—Protect or Restore Habitat 1
	1		Credit 5.2 Site Development—Maximize Open Space 1
	1		Credit 6.1 Stormwater Design—Quantity Control 1
	1		Credit 6.2 Stormwater Design—Quality Control 1
	1		Credit 7.1 Heat Island Effect—Non-roof 1
	1		Credit 7.2 Heat Island Effect—Roof 1
	1		Credit 8 Light Pollution Reduction 1
	1		Credit 9 Tenant Design and Construction Guidelines 1

3	Possible Points: 10
Y	Prereq 1 Water Use Reduction—20% Reduction 2 to 4
1	Credit 1 Water Efficient Landscaping 2
1	Credit 2 Innovative Wastewater Technologies 2 to 4
1	Credit 3 Water Use Reduction 2 to 4

6	10	Possible Points: 37
Y		Prereq 1 Fundamental Commissioning of Building Energy Systems
Y		Prereq 2 Minimum Energy Performance
Y		Prereq 3 Fundamental Refrigerant Management
3		Credit 1 Optimize Energy Performance 3 to 21
	1	Credit 2 On-Site Renewable Energy 4
	2	Credit 3 Enhanced Commissioning 2
	2	Credit 4 Enhanced Refrigerant Management 2
	3	Credit 5.1 Measurement and Verification—Base Building 3
3		Credit 5.2 Measurement and Verification—Tenant Submetering 3
	2	Credit 6 Green Power 2

5	2	Possible Points: 13	
Y	?	N	
Y			Prereq 1 Storage and Collection of Recyclables
	1		Credit 1 Building Reuse—Maintain Existing Walls, Floors, and Roof 1 to 5
	2		Credit 2 Construction Waste Management 1 to 2
	1		Credit 3 Materials Reuse 1
	1		Credit 4 Recycled Content 1 to 2
	1		Credit 5 Regional Materials 1 to 2
	1		Credit 6 Certified Wood 1

6	6	Possible Points: 12
Y		Prereq 1 Minimum Indoor Air Quality Performance
Y		Prereq 2 Environmental Tobacco Smoke (ETS) Control
1		Credit 1 Outdoor Air Delivery Monitoring 1
	1	Credit 2 Increased Ventilation 1
	1	Credit 3 Construction IAQ Management Plan—During Construction 1
	1	Credit 4.1 Low-Emitting Materials—Adhesives and Sealants 1
	1	Credit 4.2 Low-Emitting Materials—Paints and Coatings 1
	1	Credit 4.3 Low-Emitting Materials—Flooring Systems 1
	1	Credit 4.4 Low-Emitting Materials—Composite Wood and Agrifiber Products 1
	1	Credit 5 Indoor Chemical and Pollutant Source Control 1
	1	Credit 6 Controllability of Systems—Thermal Comfort 1
	1	Credit 7 Thermal Comfort—Design 1
	1	Credit 8.1 Daylight and Views—Daylight 1
	1	Credit 8.2 Daylight and Views—Views 1

6	Possible Points: 6
1	Credit 1.1 Innovation in Design: Specific Title 1
1	Credit 1.2 Innovation in Design: Specific Title 1
1	Credit 1.3 Innovation in Design: Specific Title 1
1	Credit 1.4 Innovation in Design: Specific Title 1
1	Credit 1.5 Innovation in Design: Specific Title 1
1	Credit 2 LEED Accredited Professional 1

4	Possible Points: 4
1	Credit 1.1 Regional Priority: Specific Credit 1
1	Credit 1.2 Regional Priority: Specific Credit 1
1	Credit 1.3 Regional Priority: Specific Credit 1
1	Credit 1.4 Regional Priority: Specific Credit 1

30	30	3	Possible Points: 110
			Certified 40 to 49 points Silver 50 to 59 points Gold 60 to 79 points Platinum 80 to 110

NOTES:

As per the Green Building Act, a minimum of LEED certified or equivalent will be achieved. Flexibility is requested in reaching the proposed point total. The final credits achieved may vary from those represented here.