







NORTH ELEVATION



SOUTH ELEVATION



EAST ELEVATION

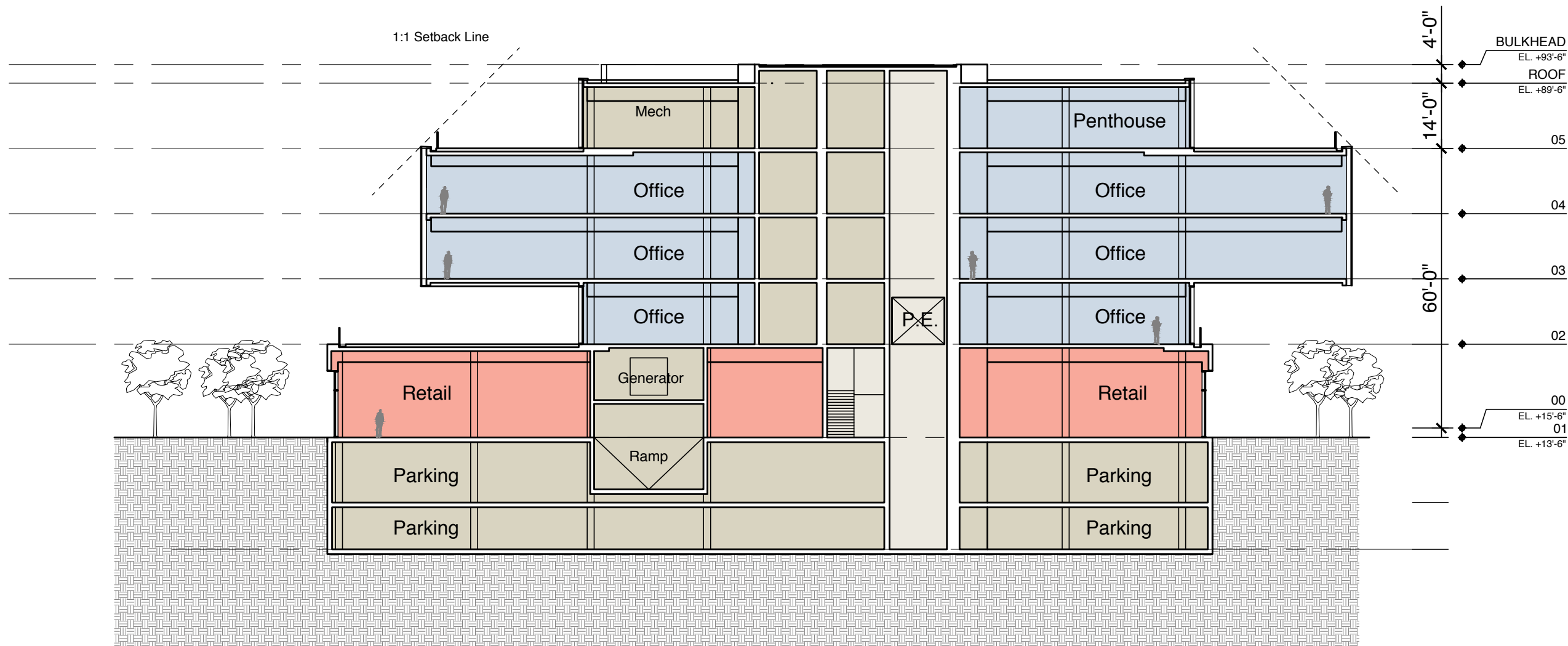


WEST ELEVATION

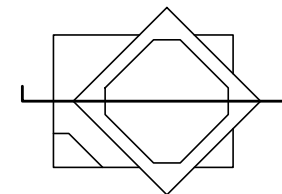
- POTENTIAL RETAIL SIGNAGE LOCATIONS
- POTENTIAL TENANT SIGNAGE LOCATIONS

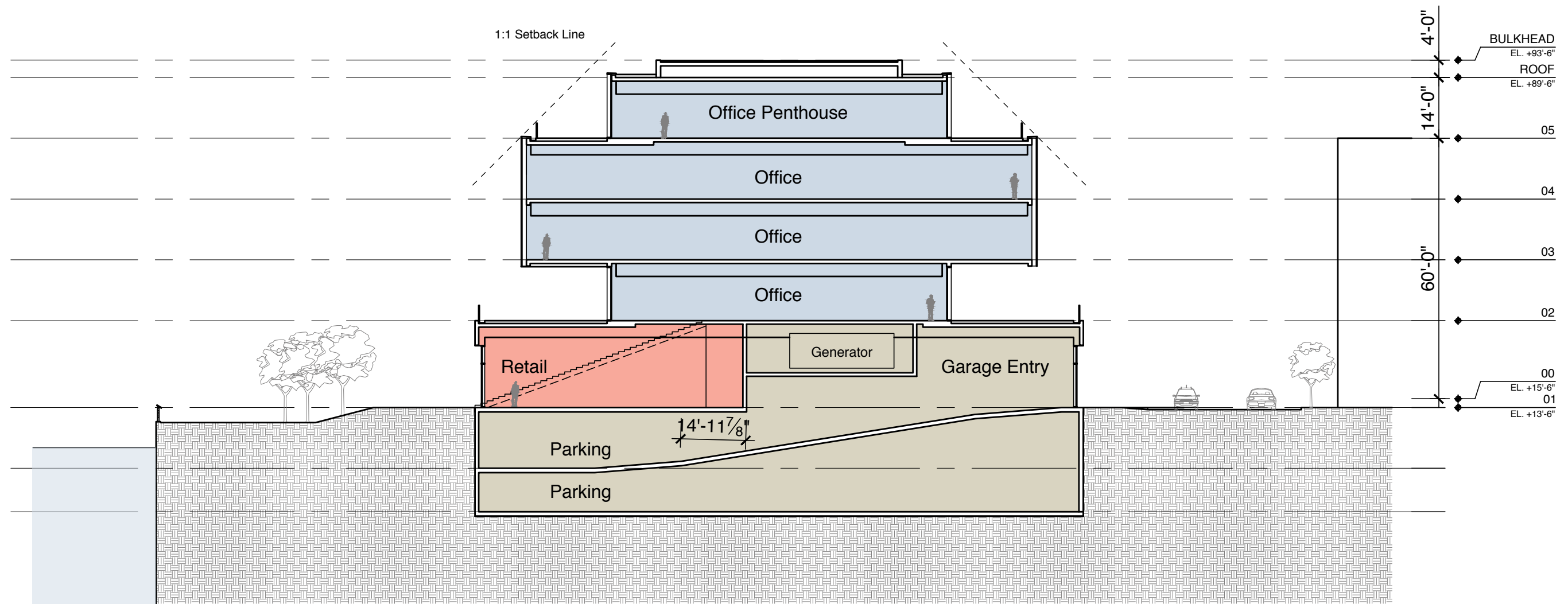
NOTES:

1. RETAIL SIGNAGE PLACEMENT IS FOR ILLUSTRATIVE PURPOSES ONLY. ACTUAL RETAIL SIGNAGE PLACEMENT, EXTENT, AND DESIGN TO BE COORDINATED WITH INDIVIDUAL TENANT(S)/OCCUPANT(S) REQUIREMENTS. RETAIL SIGNAGE TO BE DESIGNED AND CONSTRUCTED IN ACCORDANCE WITH THE DC BUILDING CODE AND SIGN REGULATIONS IN EFFECT AT THE TIME OF PERMITTING, INCLUDING REGULATIONS APPLICABLE TO DESIGNATED ENTERTAINMENT AREAS, IF APPLICABLE.
2. GROUND FLOOR RETAIL BAY ELEVATIONS AND STOREFRONT ENTRANCES ARE ILLUSTRATIVE AND INTENDED TO DESCRIBE THE CHARACTER AND SCALE FOR THE BASE OF THE BUILDING. THE ACTUAL RETAIL BAY ELEVATIONS WILL BE DEVELOPED BY INDIVIDUAL RETAIL TENANT(S)/OCCUPANTS, SUBJECT TO APPROVAL BY THE BUILDING OWNER. GROUND FLOOR RETAIL BAY ELEVATIONS AND STOREFRONT ENTRANCES ARE SUBJECT TO CHANGE WITH EACH NEW TENANT THAT OCCUPIES A PARTICULAR RETAIL SPACE.
3. UPPER-LEVEL BUILDING AND TENANT SIGNAGE ZONES SHOWN ARE INTENDED TO REFLECT THE AREAS WITHIN WHICH SUCH SIGNAGE SHALL BE LOCATED. THE DIMENSIONS AND SQUARE FOOTAGE OF INDIVIDUAL SIGNS WITHIN THESE ZONES, AND THE OVERALL SQUARE FOOTAGE OF ALL SIGNS WITHIN THESE ZONES ALONG EACH FAÇADE, WILL BE DETERMINED AND DESIGNED IN ACCORDANCE WITH THE DC BUILDING CODE AND SIGNAGE REGULATIONS IN EFFECT AT THE TIME OF PERMITTING, INCLUDING REGULATIONS APPLICABLE TO DESIGNATED ENTERTAINMENT AREAS, IF APPLICABLE.
4. UPPER-LEVEL BUILDING AND TENANT SIGNAGE DESIGN SHALL BE COMPATIBLE WITH AND COMPLEMENT THE BUILDING ARCHITECTURE, BE COORDINATED WITH THE BUILDING FAÇADE SYSTEM, AND CONSIST OF HIGH-QUALITY MATERIALS.
5. RETAIL SIGNAGE AND UPPER-LEVEL BUILDING AND TENANT SIGNAGE MAY CONTAIN LETTERS AND/OR GRAPHIC LOGOS, AND MAY BE SELF-ILLUMINATED OR BACK-LIT.

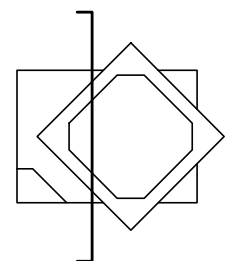


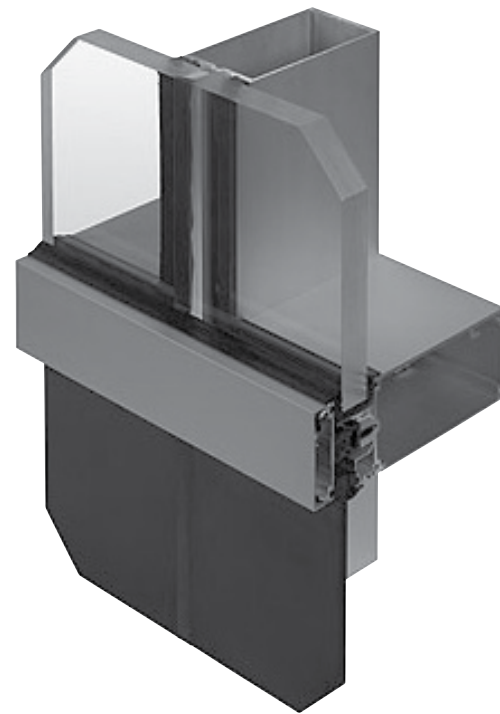
- OFFICE
- RESIDENTIAL
- RETAIL
- SERVICE / CORE / OPERATIONS
- ROOFSCAPE / TERRACE
- GREEN ROOF



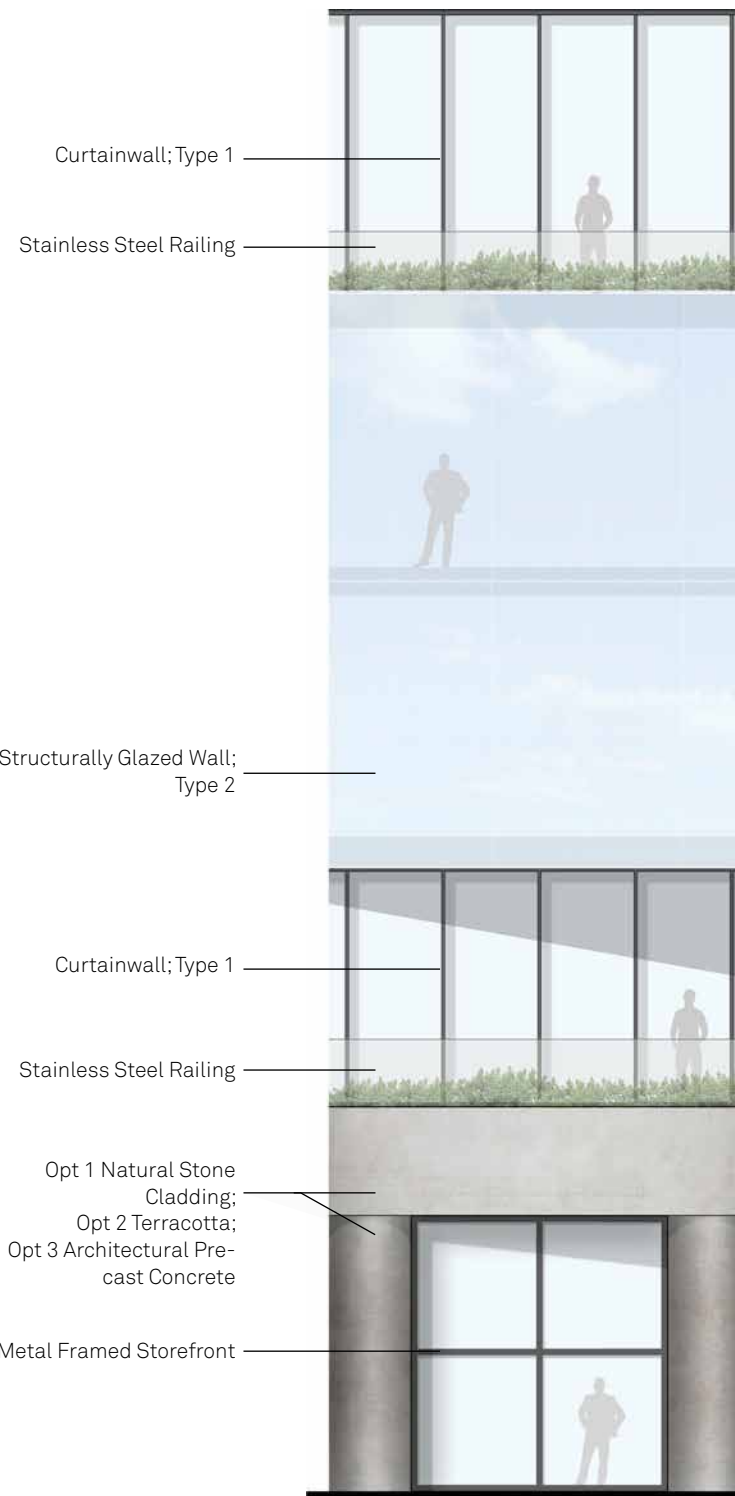


- OFFICE
- RESIDENTIAL
- RETAIL
- SERVICE / CORE / OPERATIONS
- ROOFSCAPE / TERRACE
- GREEN ROOF

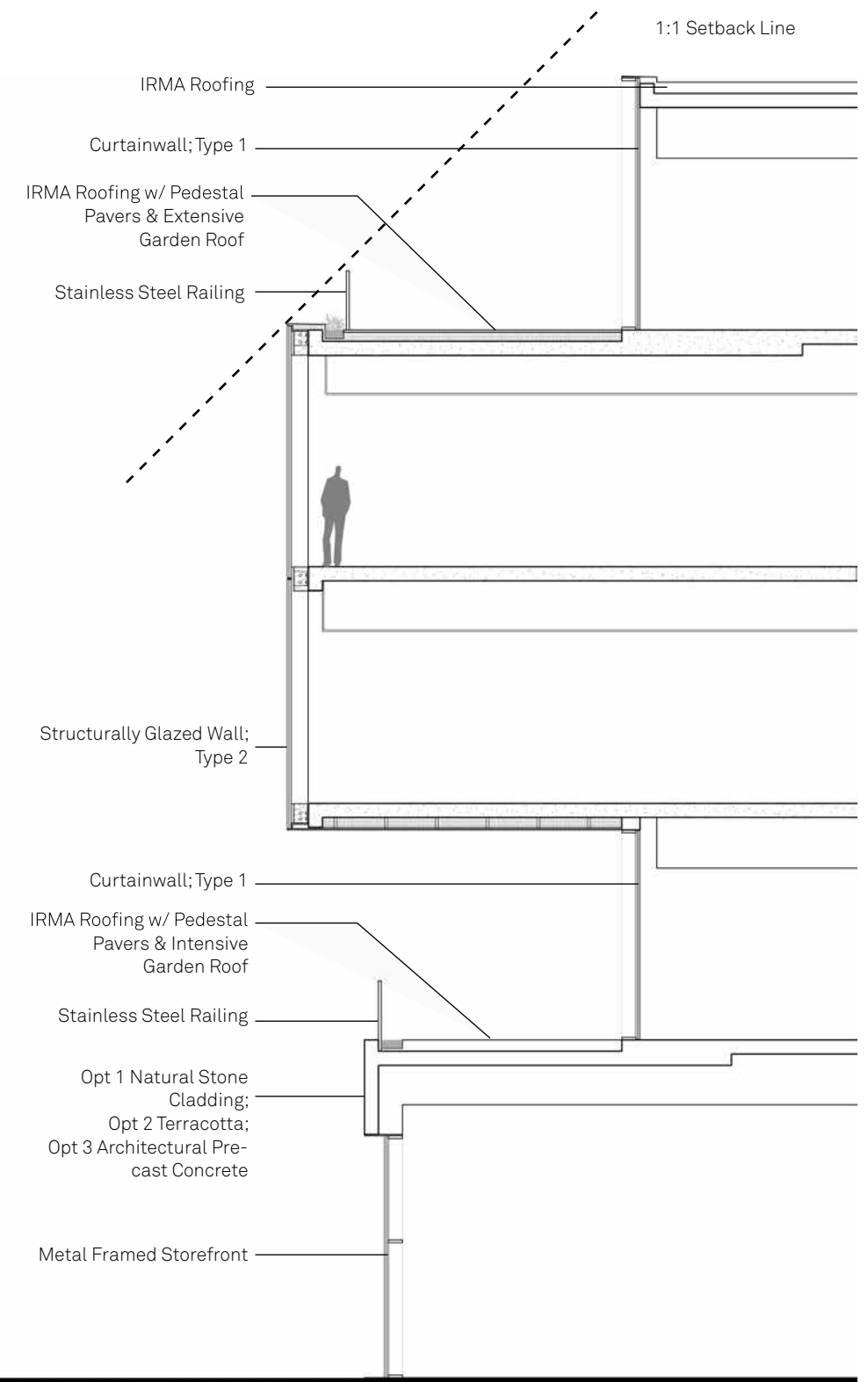




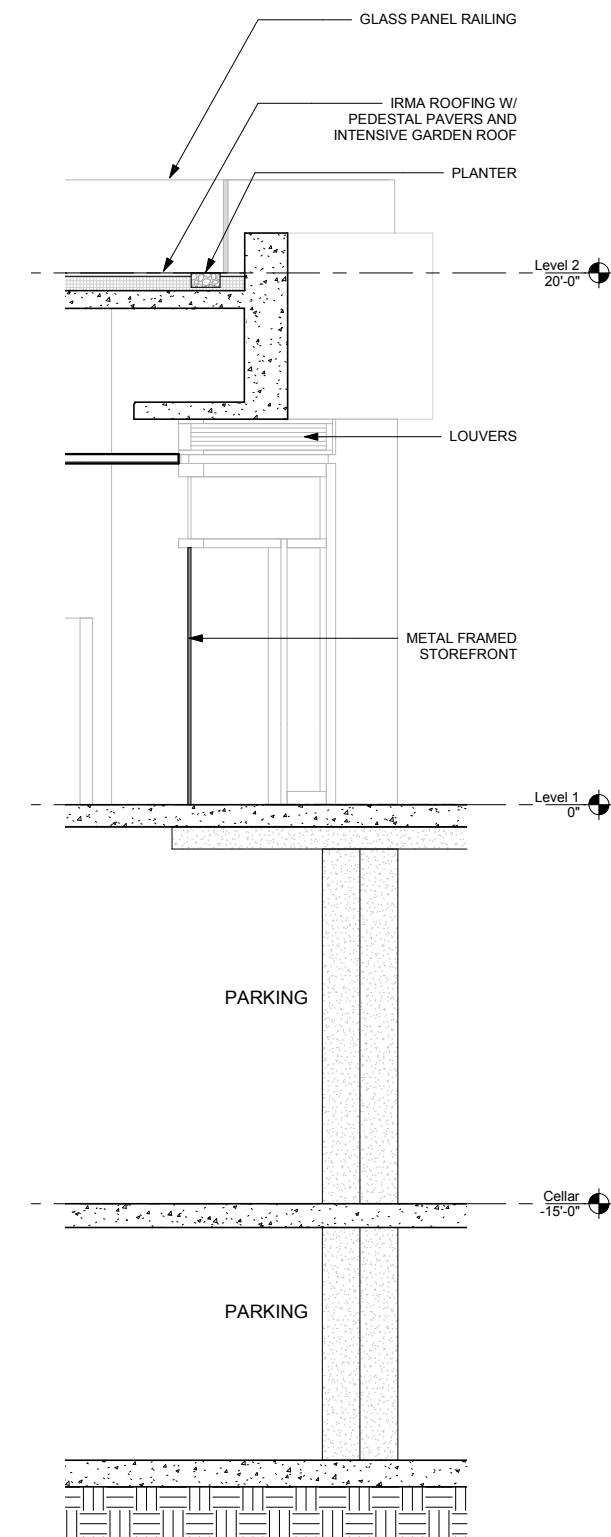
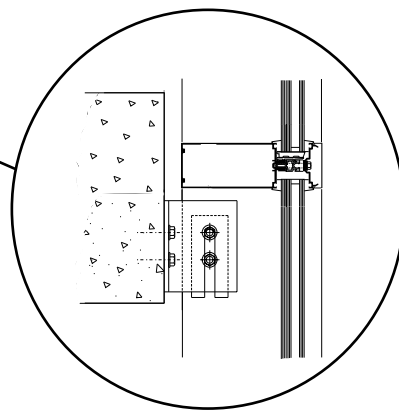
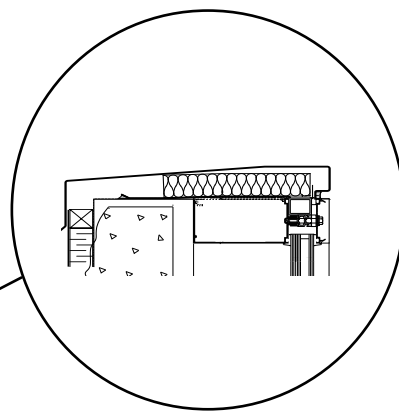
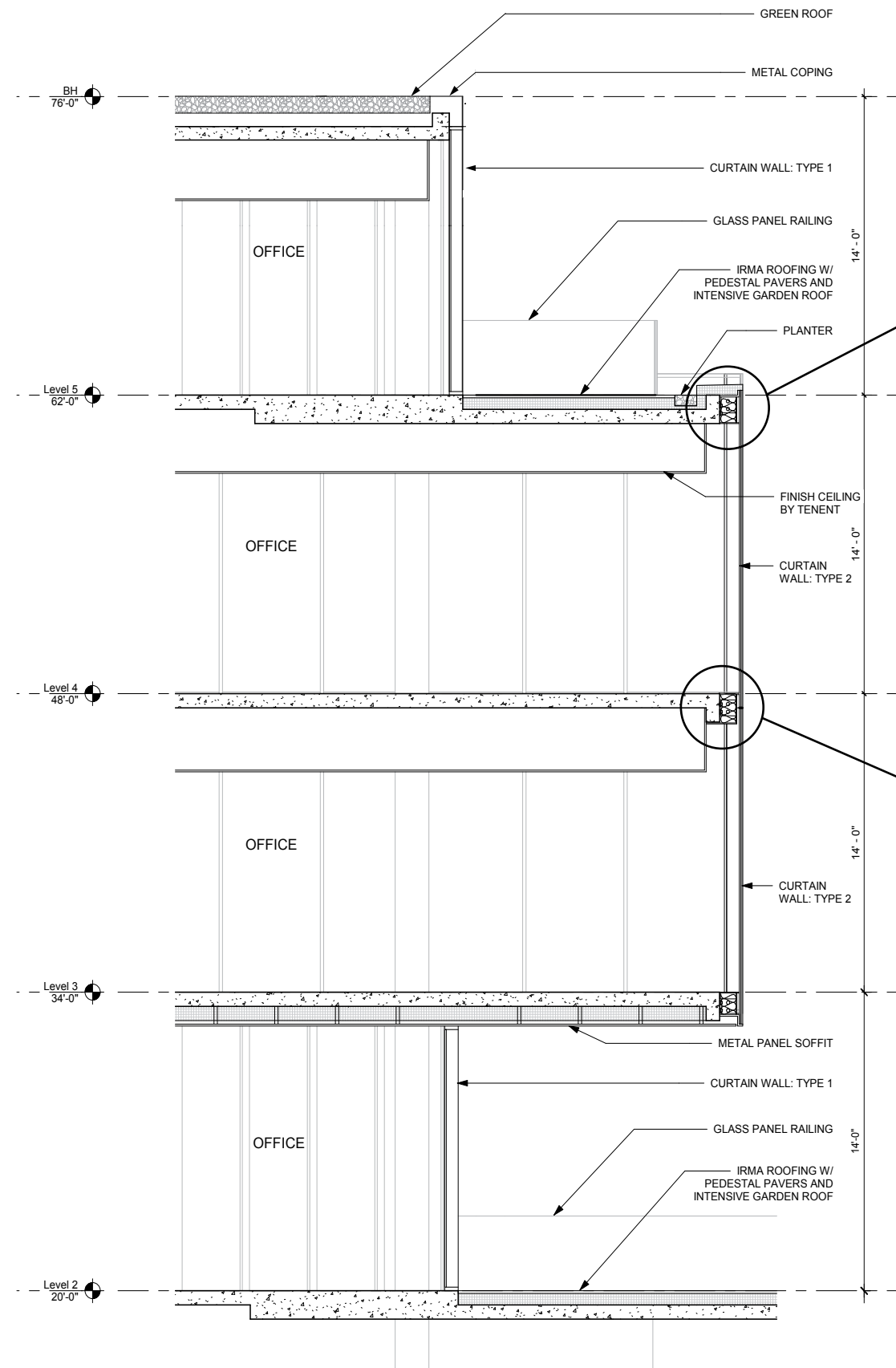
Curtain wall references

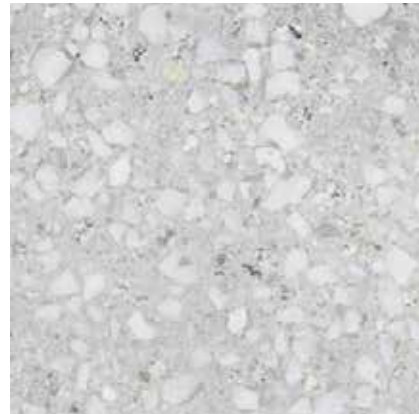


Partial elevation



Partial wall section





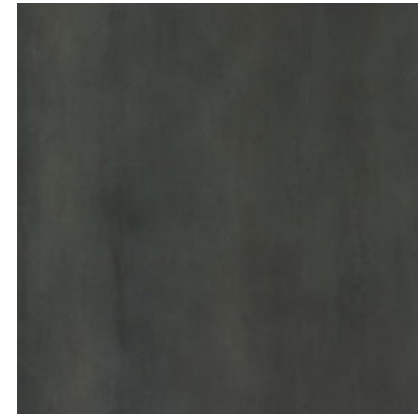
PRE-CAST CONCRETE
PANEL W/ LIGHT
AGGREGATE



GREEN WALL



GLAZED WALL -
SOLARBAN 60



METAL FRAME - EXTRUDED
ALUMINUM



LEED for Core & Shell v2009
 The Wharf Phase II: Parcel 10
 May 9, 2017



25 3 0 Sustainable Sites			Possible Points: 28	
Y	?	N		
Y			Prereq 1	Construction Activity Pollution Prevention
1			Credit 1	Site Selection
5			Credit 2	Development Density and Community Connectivity
	1		Credit 3	Brownfield Redevelopment
6			Credit 4.1	Alternative Transportation—Public Transportation Access
2			Credit 4.2	Alternative Transportation—Bicycle Storage and Changing Rooms
3			Credit 4.3	Alternative Transportation—Low-Emitting and Fuel-Efficient Vehicles
2			Credit 4.4	Alternative Transportation—Parking Capacity
	1		Credit 5.1	Site Development—Protect or Restore Habitat
1			Credit 5.2	Site Development—Maximize Open Space
	1		Credit 6.1	Stormwater Design—Quantity Control
1			Credit 6.2	Stormwater Design—Quality Control
1			Credit 7.1	Heat Island Effect—Non-roof
1			Credit 7.2	Heat Island Effect—Roof
1			Credit 8	Light Pollution Reduction
1			Credit 9	Tenant Design and Construction Guidelines

5 3 2 Water Efficiency			Possible Points: 10	
Y	?	N		
Y			Prereq 1	Water Use Reduction—20% Reduction
2	2		Credit 1	Water Efficient Landscaping
		2	Credit 2	Innovative Wastewater Technologies
3	1		Credit 3	Water Use Reduction

14 7 16 Energy and Atmosphere			Possible Points: 37	
Y	?	N		
Y			Prereq 1	Fundamental Commissioning of Building Energy Systems
Y			Prereq 2	Minimum Energy Performance
Y			Prereq 3	Fundamental Refrigerant Management
6	3	12	Credit 1	Optimize Energy Performance
		4	Credit 2	On-Site Renewable Energy
2			Credit 3	Enhanced Commissioning
	2		Credit 4	Enhanced Refrigerant Management
1	2		Credit 5.1	Measurement and Verification - Base Building
3			Credit 5.2	Measurement and Verification - Tenant Submetering
2			Credit 6	Green Power

6 1 6 Materials and Resources			Possible Points: 13	
Y	?	N		
Y			Prereq 1	Storage and Collection of Recyclables
		5	Credit 1	Building Reuse—Maintain Existing Walls, Floors, and Roof
2			Credit 2	Construction Waste Management
		1	Credit 3	Materials Reuse
2			Credit 4	Recycled Content
2			Credit 5	Regional Materials
	1		Credit 6	Certified Wood

7 4 1 Indoor Environmental Quality			Possible Points: 12	
Y	?	N		
Y			Prereq 1	Minimum Indoor Air Quality Performance
Y			Prereq 2	Environmental Tobacco Smoke (ETS) Control
	1		Credit 1	Outdoor Air Delivery Monitoring
	1		Credit 2	Increased Ventilation
1			Credit 3	Construction IAQ Management Plan—During Construction
1			Credit 4.1	Low-Emitting Materials—Adhesives and Sealants
1			Credit 4.2	Low-Emitting Materials—Paints and Coatings
1			Credit 4.3	Low-Emitting Materials—Flooring Systems
1			Credit 4.4	Low-Emitting Materials—Composite Wood and Agrifiber Products
	1		Credit 5	Indoor Chemical and Pollutant Source Control
	1		Credit 6	Controllability of Systems—Thermal Comfort
1			Credit 7	Thermal Comfort—Design
		1	Credit 8.1	Daylight and Views—Daylight
1			Credit 8.2	Daylight and Views—Views

6 0 0 Innovation and Design Process			Possible Points: 6	
Y	?	N		
1			Credit 1.1	Innovation in Design: Exemplary Performance SSc4.1
1			Credit 1.2	Innovation in Design: Exemplary Performance MRc4
1			Credit 1.3	Innovation in Design: Exemplary Performance WEp1/c2
1			Credit 1.4	Innovation in Design: Green Cleaning
1			Credit 1.5	Innovation in Design: Exemplary Performance SSc2
1			Credit 2	LEED Accredited Professional

1 2 1 Regional Priority Credits			Possible Points: 4	
Y	?	N		
	1		Credit 1.1	Regional Priority: EAc1 (40%)/ EAc2 (4pts)
	1		Credit 1.2	Regional Priority: SSc6.1
1			Credit 1.3	Regional Priority: SSc5.1
		1	Credit 1.4	Regional Priority: WEc2, MRc1 (75%)

