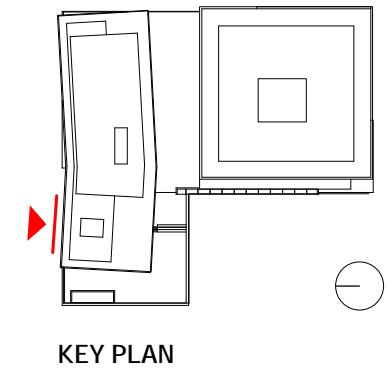
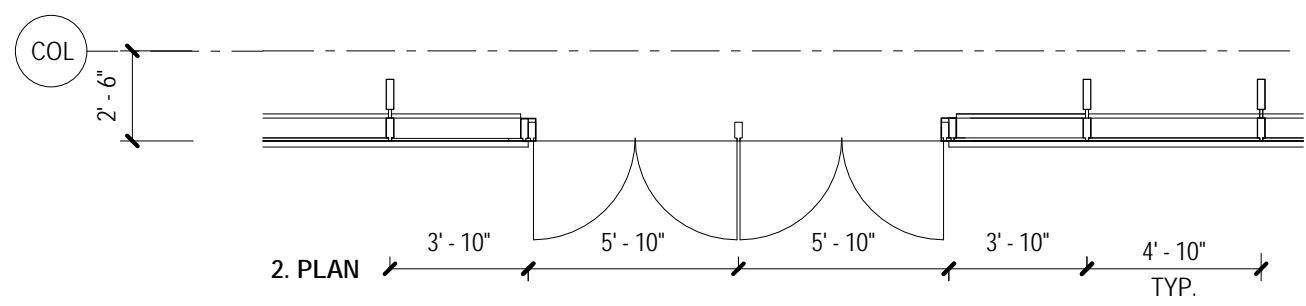
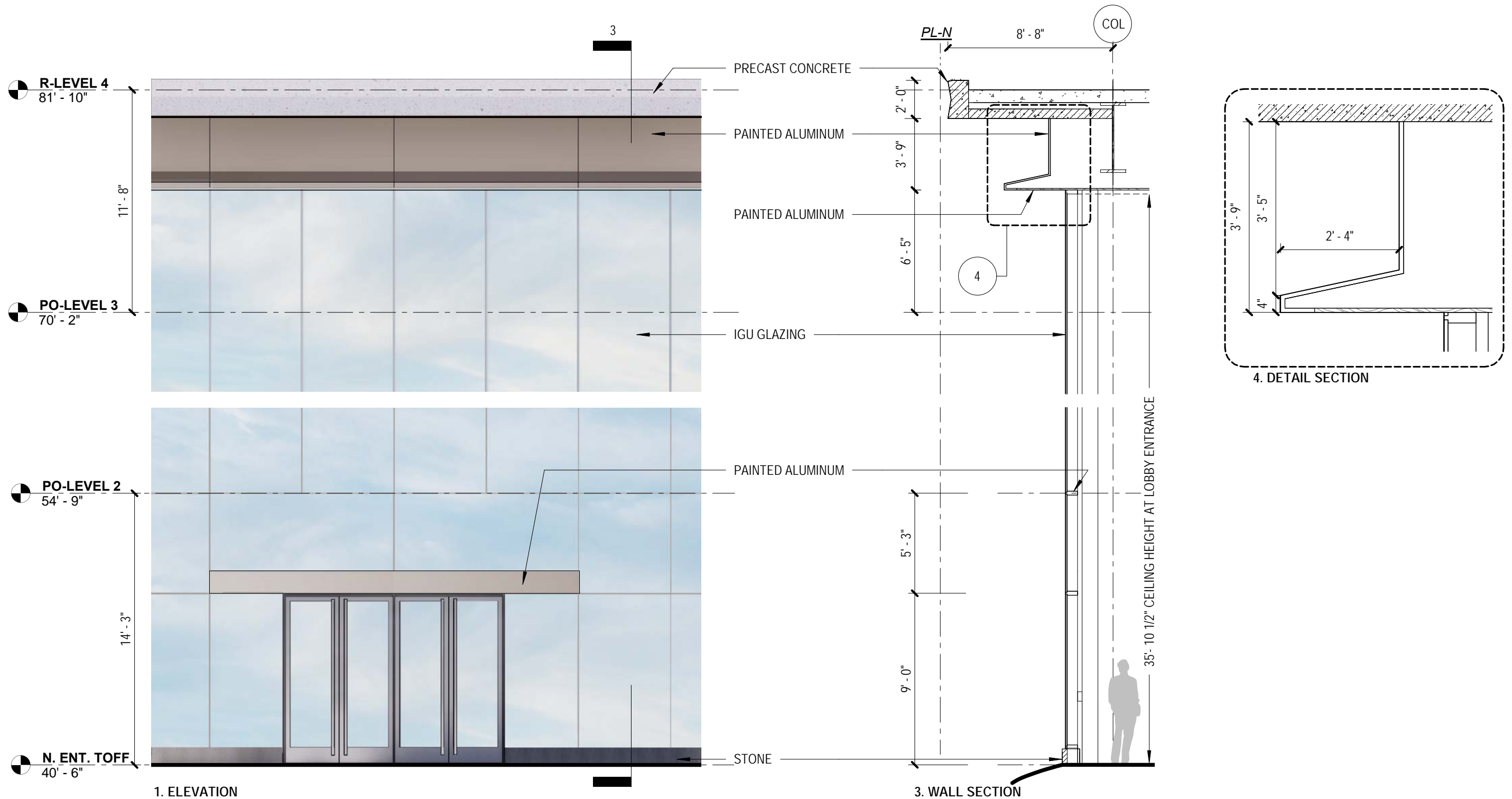


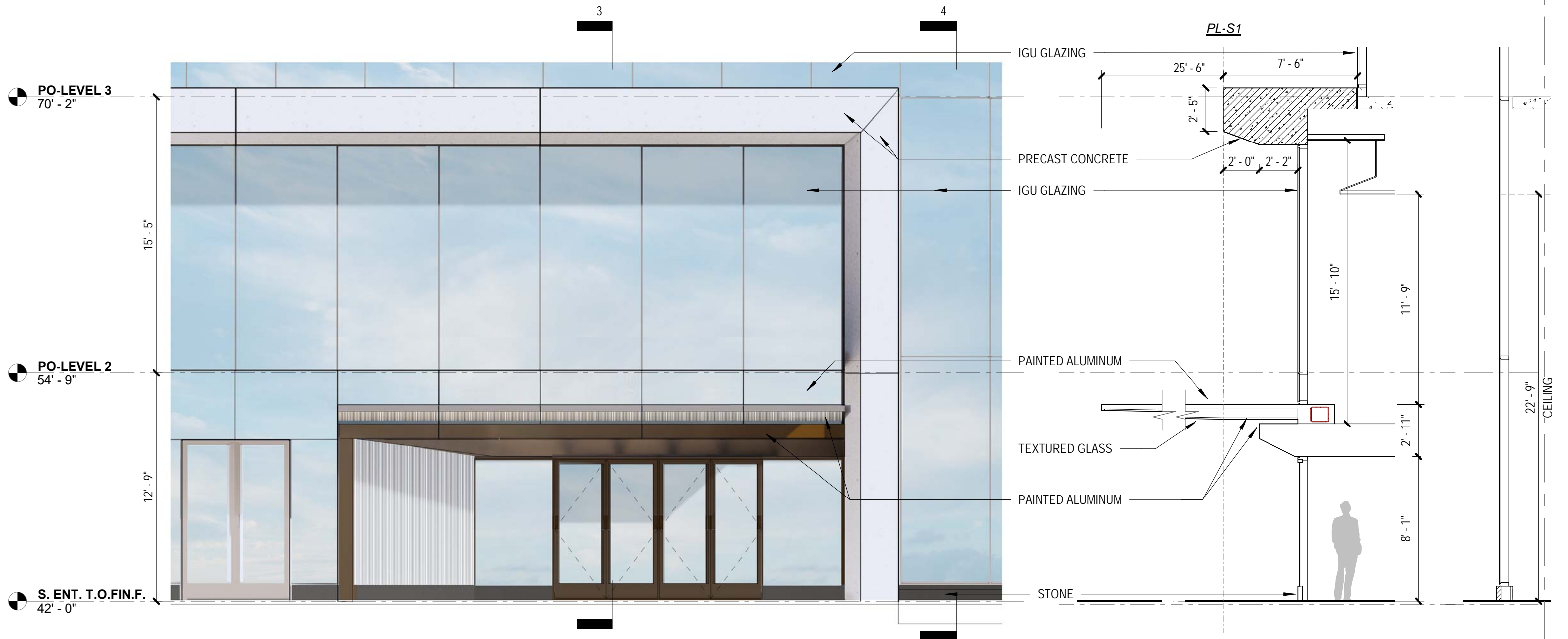
# 5-0: CCIII & CCIV Wall Systems



# Exterior Details - Podium North Lobby

PUD Stage II Filing: Capitol Crossing III LLC and Capitol Crossing IV LLC: Square 566, Lots 861-862 (part of Record Lot 50)

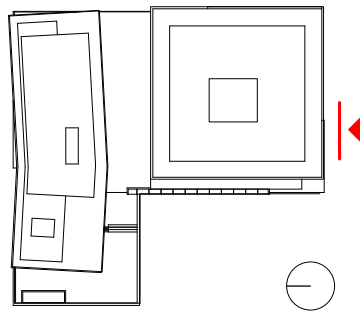
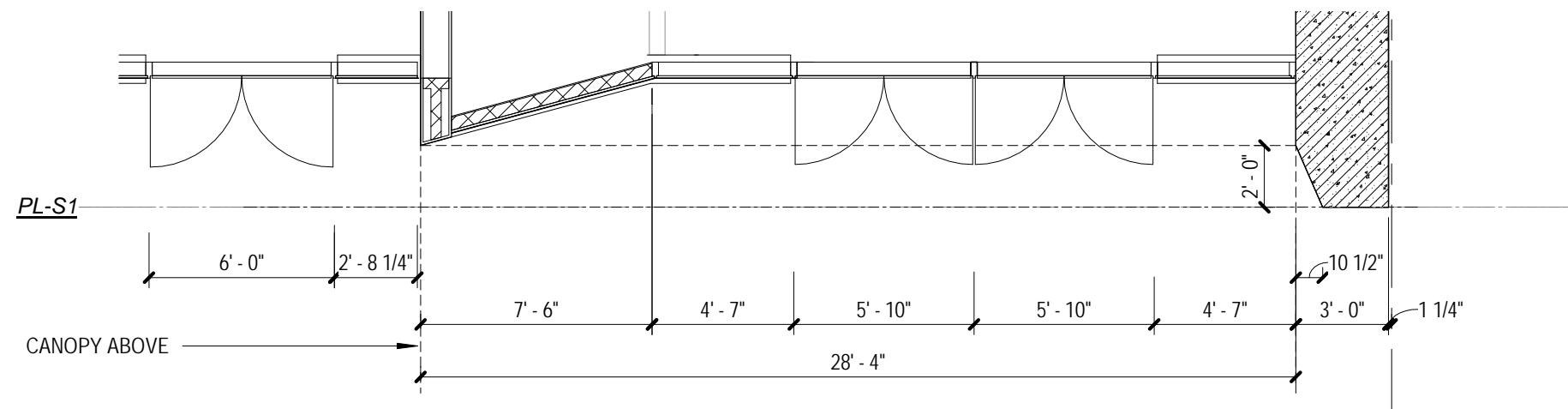
NOTE: ALL WINDOW GLAZING SYSTEM DETAILS AND SYSTEMS CONNECTIONS INDICATED ARE PRELIMINARY. ALL FACADE MATERIALS AND PROFILES ARE PRELIMINARY. FINAL WINDOW GLAZING SYSTEMS DETAILS AND CONNECTIONS AND MATERIALS MAY VARY



1. ELEVATION

3. SECTION

4. SECTION

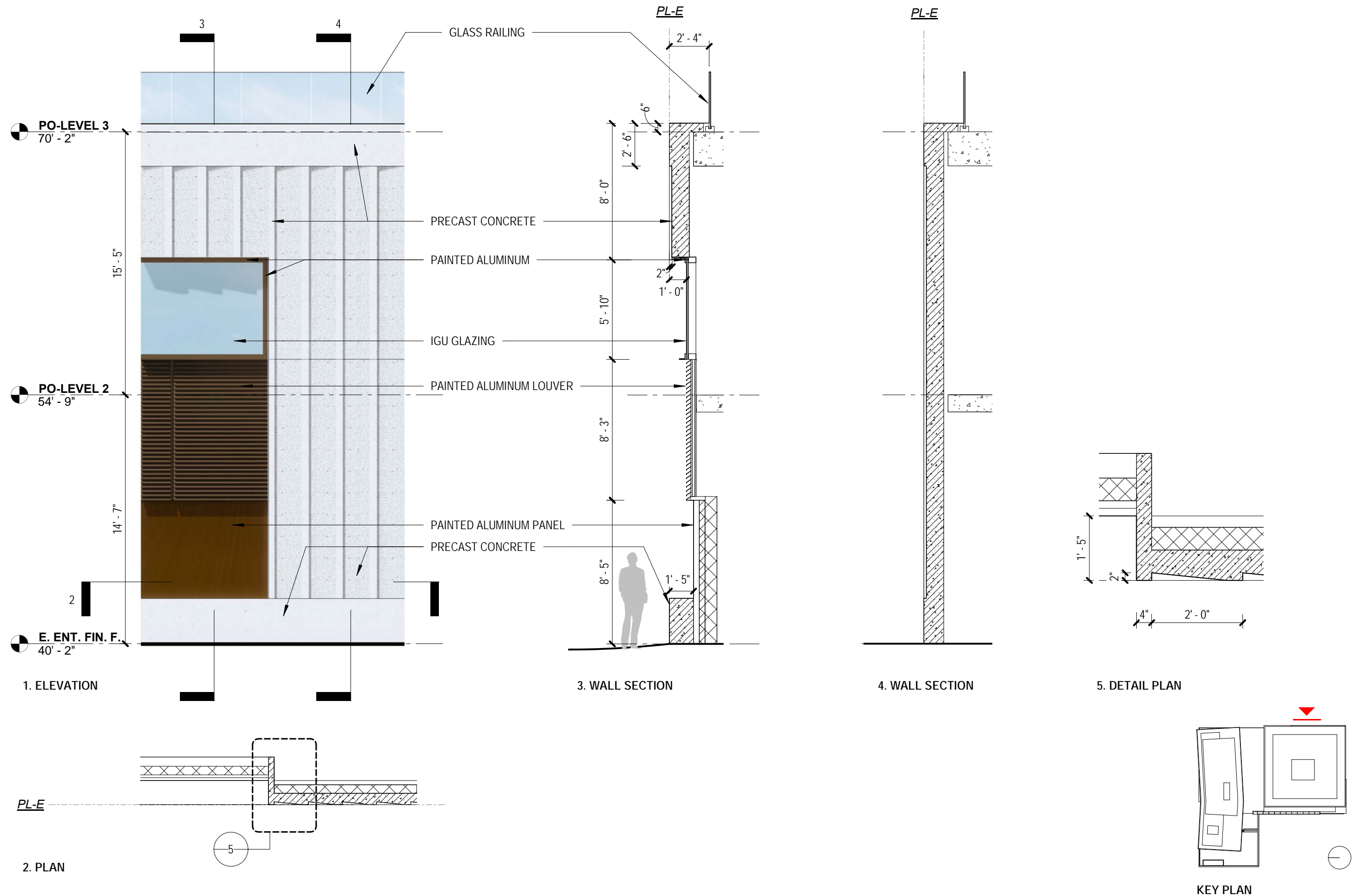


KEY PLAN

# Exterior Details - Podium South Lobby

PUD Stage II Filing: Capitol Crossing III LLC and Capitol Crossing IV LLC: Square 566, Lots 861-862 (part of Record Lot 50)

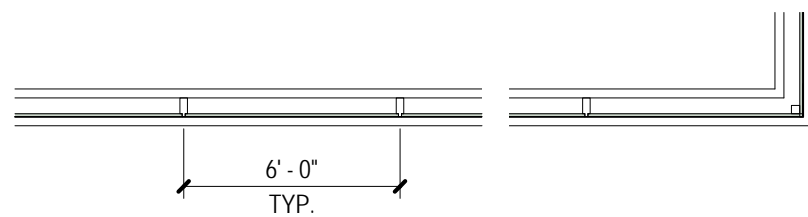
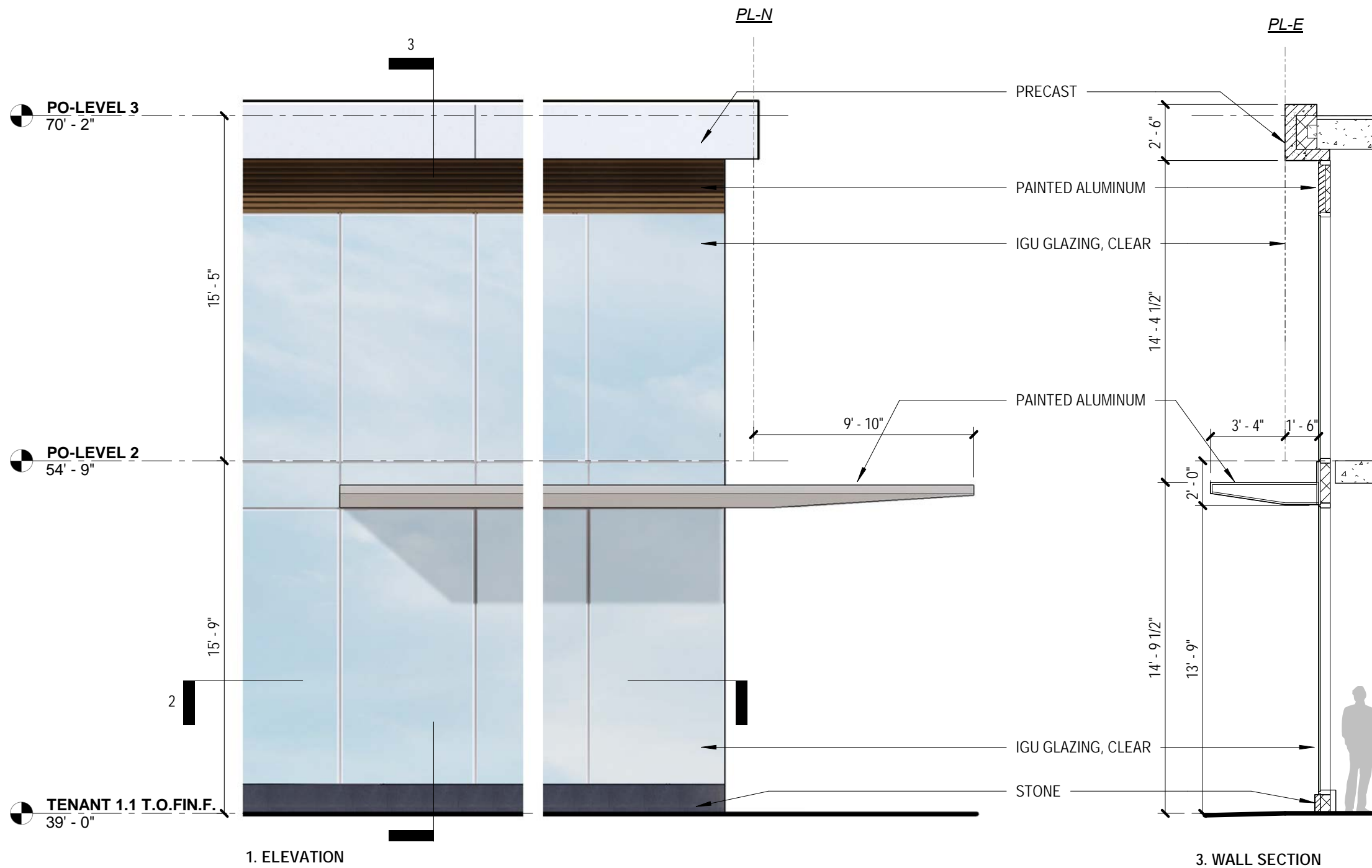
NOTE: ALL WINDOW GLAZING SYSTEM DETAILS AND SYSTEMS CONNECTIONS INDICATED ARE PRELIMINARY. ALL FACADE MATERIALS AND PROFILES ARE PRELIMINARY. FINAL WINDOW GLAZING SYSTEMS DETAILS AND CONNECTIONS AND MATERIALS MAY VARY



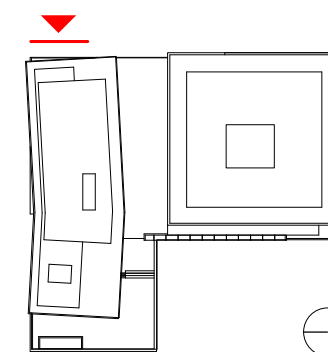
# Exterior Details - Podium East - 2nd Ave (South)

PUD Stage II Filing: Capitol Crossing III LLC and Capitol Crossing IV LLC: Square 566, Lots 861-862 (part of Record Lot 50)

NOTE: ALL WINDOW GLAZING SYSTEM DETAILS AND SYSTEMS CONNECTIONS INDICATED ARE PRELIMINARY. ALL FACADE MATERIALS AND PROFILES ARE PRELIMINARY. FINAL WINDOW GLAZING SYSTEMS DETAILS AND CONNECTIONS AND MATERIALS MAY VARY



2. PLAN

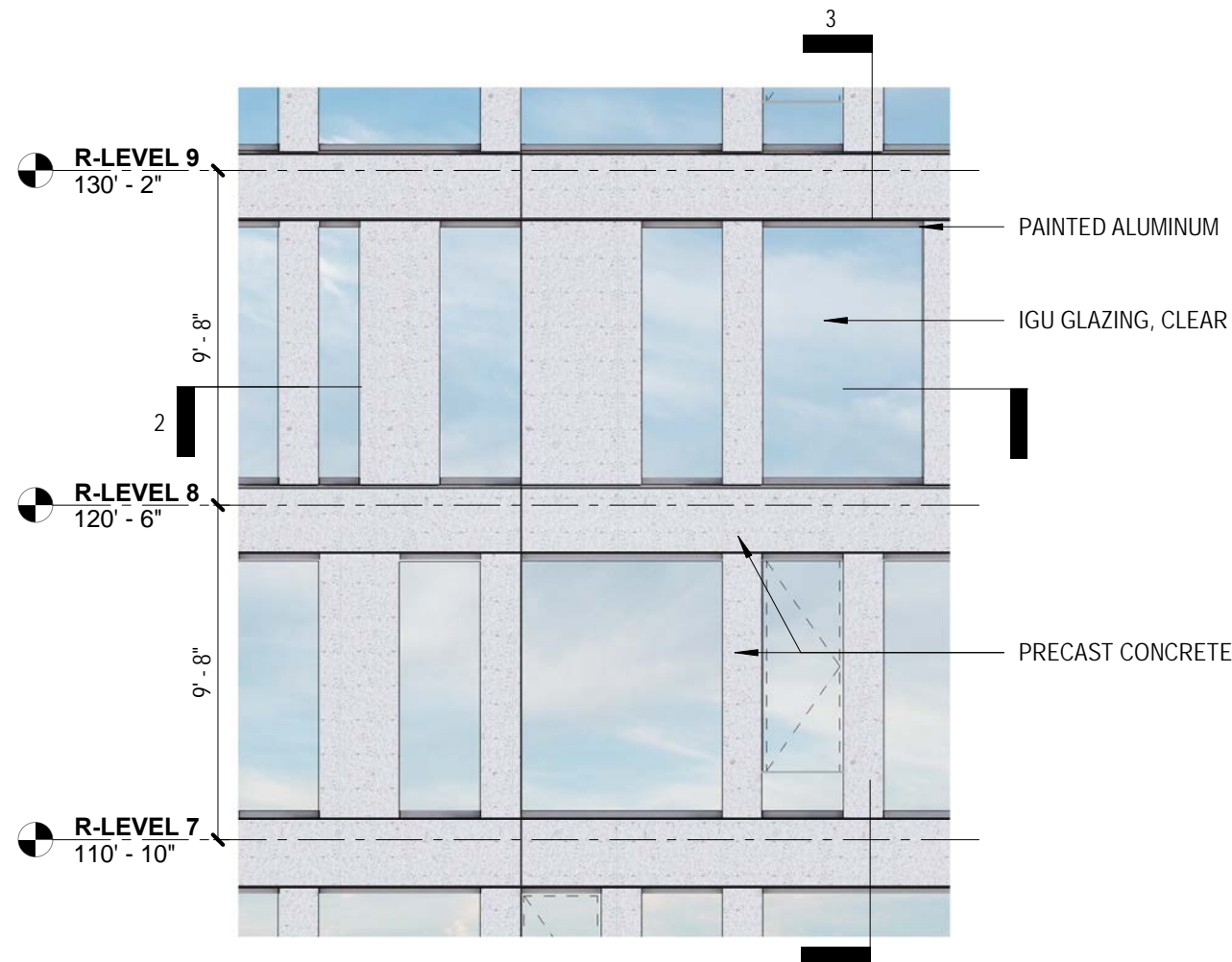


KEY PLAN

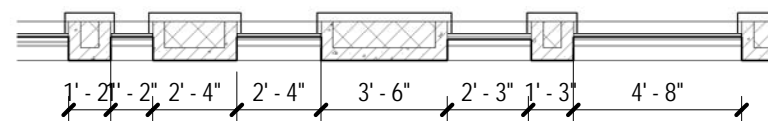
# Exterior Details - Podium East - 2nd Ave (North)

PUD Stage II Filing: Capitol Crossing III LLC and Capitol Crossing IV LLC: Square 566, Lots 861-862 (part of Record Lot 50)

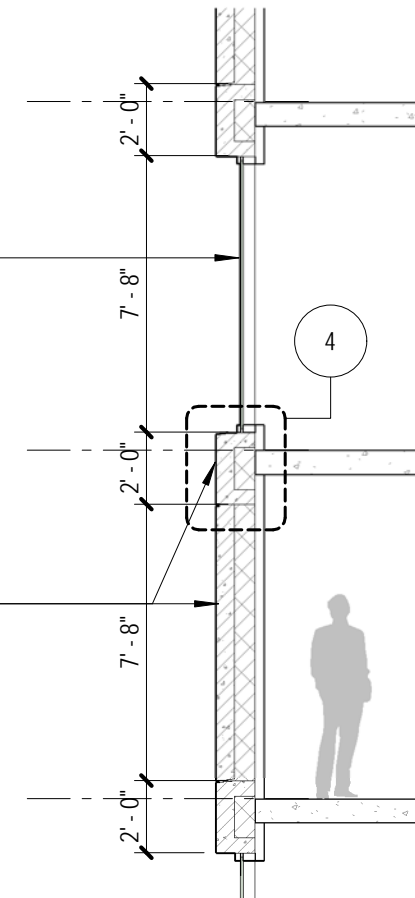
NOTE: ALL WINDOW GLAZING SYSTEM DETAILS AND SYSTEMS CONNECTIONS INDICATED ARE PRELIMINARY. ALL FACADE MATERIALS AND PROFILES ARE PRELIMINARY. FINAL WINDOW GLAZING SYSTEMS DETAILS AND CONNECTIONS AND MATERIALS MAY VARY



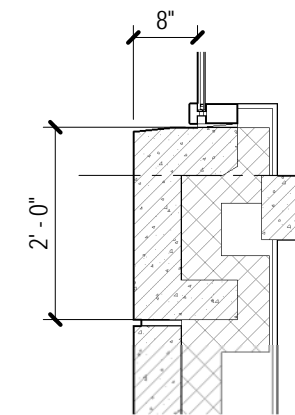
1. ELEVATION



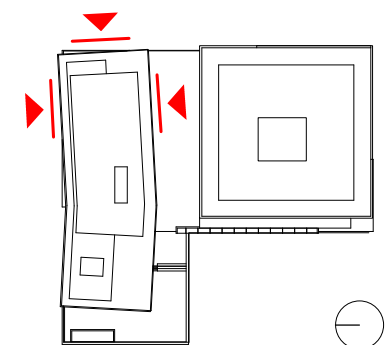
2. PLAN



3. WALL SECTION



4. SECTION DETAIL

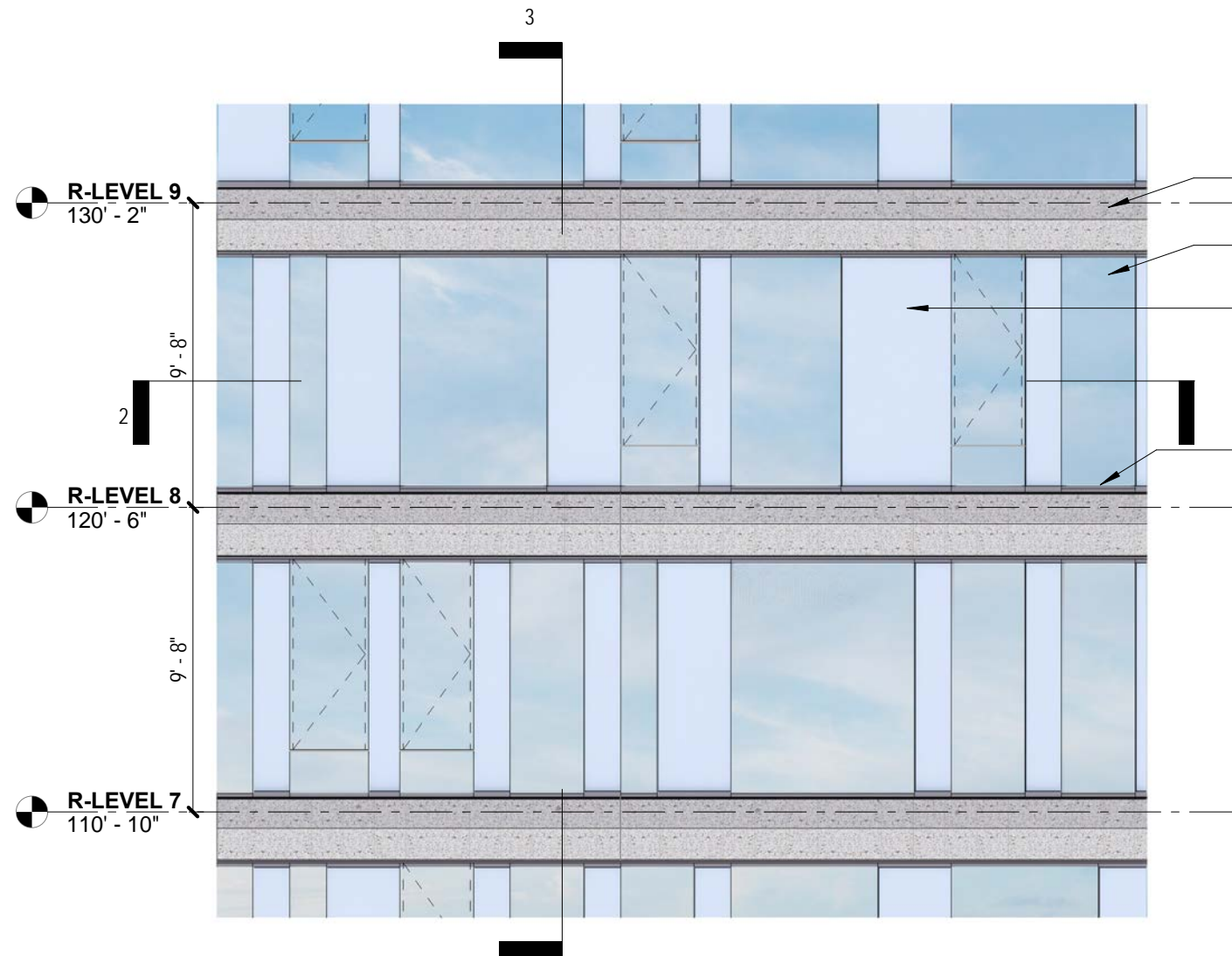


KEY PLAN

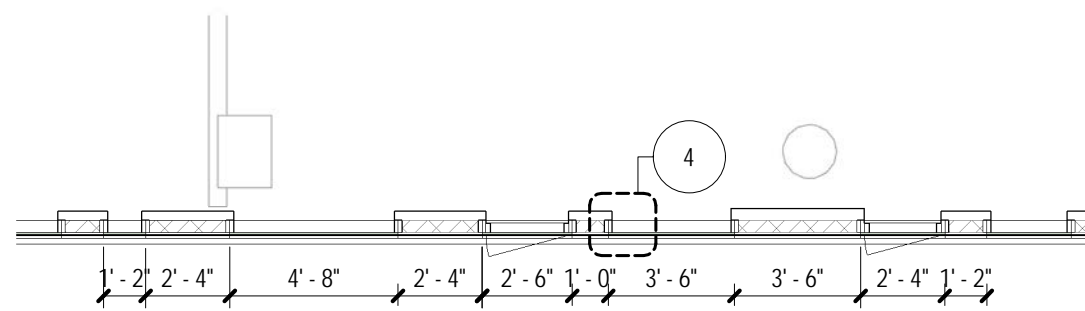
# Exterior Details - Residential - Wall Type 1

PUD Stage II Filing: Capitol Crossing III LLC and Capitol Crossing IV LLC: Square 566, Lots 861-862 (part of Record Lot 50)

NOTE: ALL WINDOW GLAZING SYSTEM DETAILS AND SYSTEMS CONNECTIONS INDICATED ARE PRELIMINARY. ALL FACADE MATERIALS AND PROFILES ARE PRELIMINARY. FINAL WINDOW GLAZING SYSTEMS DETAILS AND CONNECTIONS AND MATERIALS MAY VARY

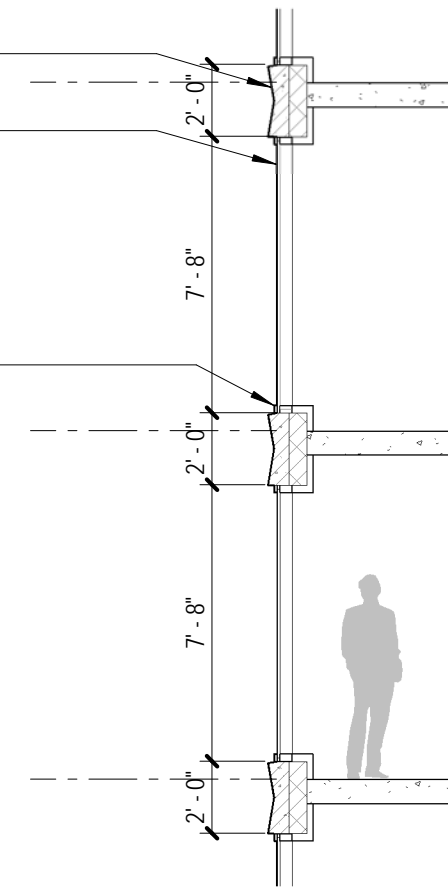


1. ELEVATION

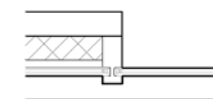


2. PLAN

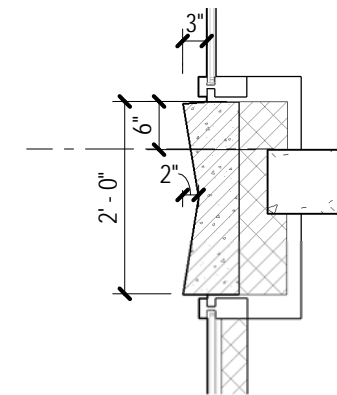
- PRECAST CONCRETE
- IGU GLASS, CLEAR
- IGU GLASS, ACID-ETCH WITH SHADOWBOX BACK PANEL
- PAINTED ALUMINUM



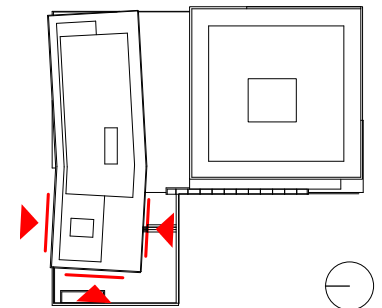
3. WALL SECTION



4. DETAIL - PLAN



5. DETAIL - SECTION

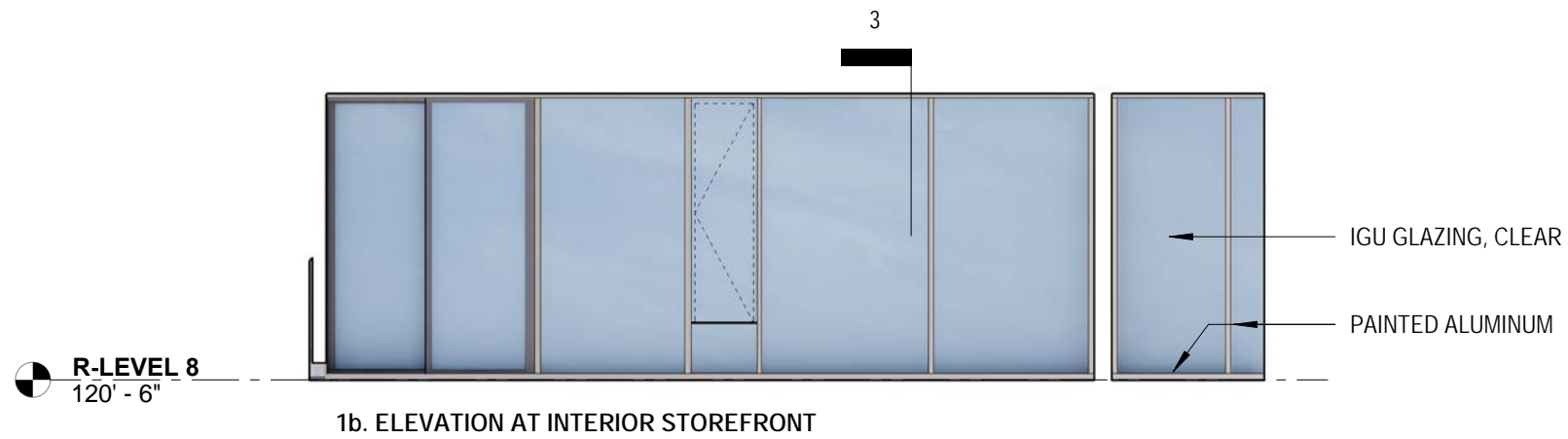


KEY PLAN

## Exterior Details - Residential - Wall Type 2

PUD Stage II Filing: Capitol Crossing III LLC and Capitol Crossing IV LLC: Square 566, Lots 861-862 (part of Record Lot 50)

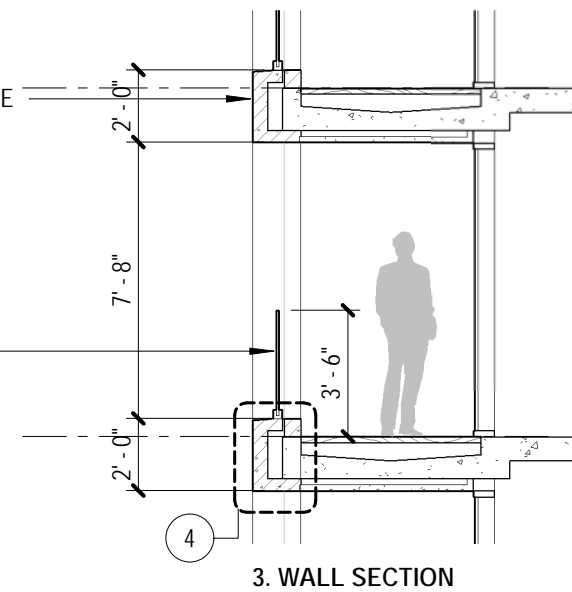
NOTE: ALL WINDOW GLAZING SYSTEM DETAILS AND SYSTEMS CONNECTIONS INDICATED ARE PRELIMINARY. ALL FACADE MATERIALS AND PROFILES ARE PRELIMINARY. FINAL WINDOW GLAZING SYSTEMS DETAILS AND CONNECTIONS AND MATERIALS MAY VARY



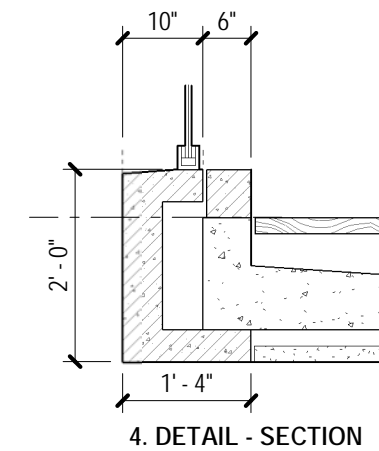
1b. ELEVATION AT INTERIOR STOREFRONT



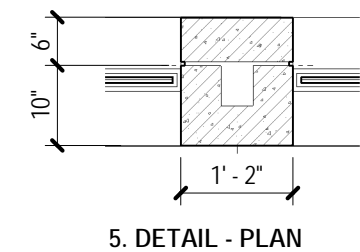
1a. ELEVATION AT BUILDING FACADE



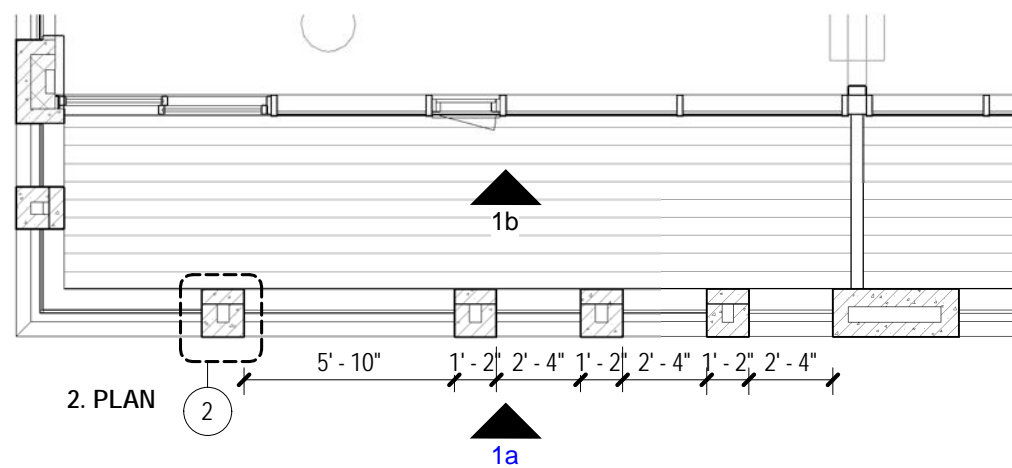
3. WALL SECTION



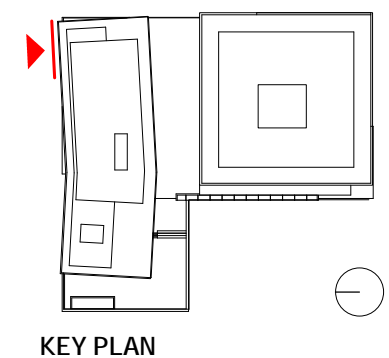
4. DETAIL - SECTION



5. DETAIL - PLAN



2. PLAN

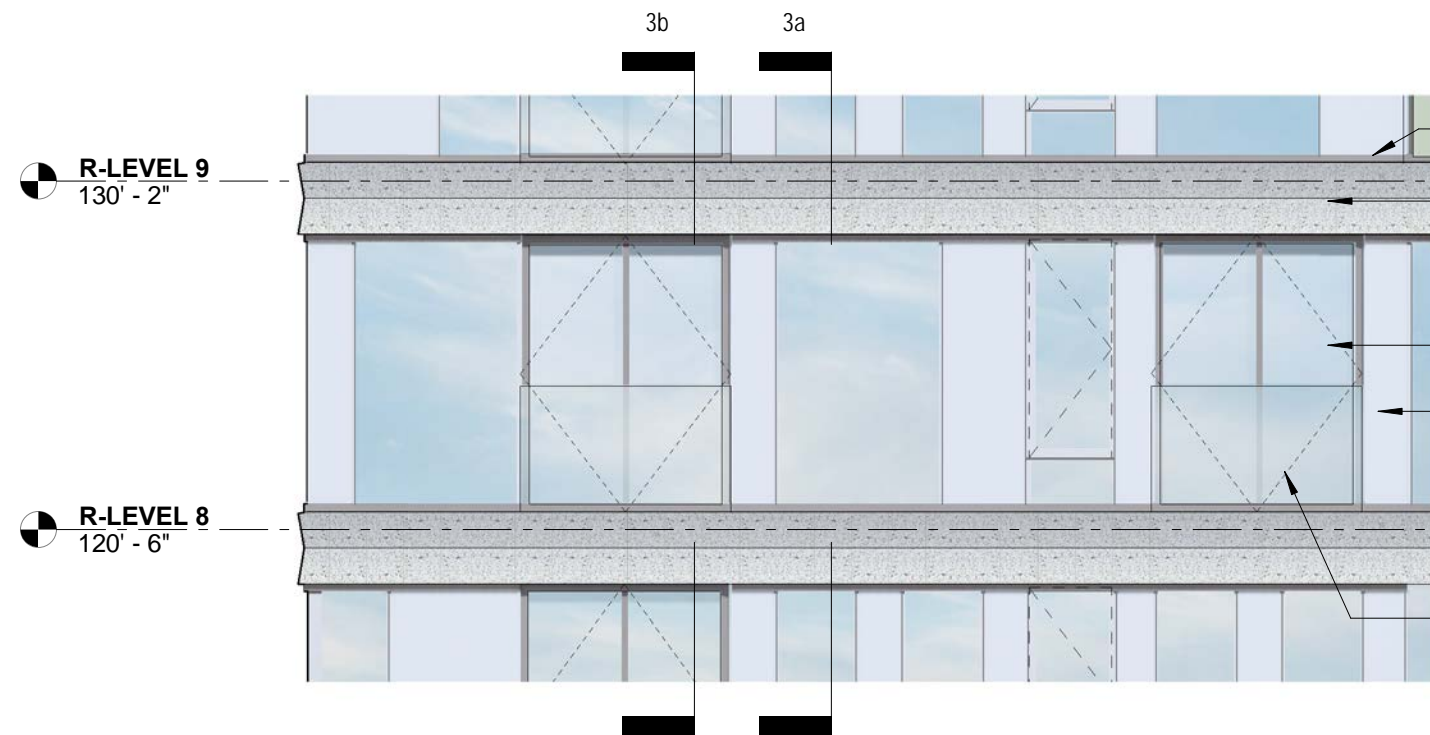


# Exterior Details - Residential - Wall Type 1 with Balcony

PUD Stage II Filing: Capitol Crossing III LLC and Capitol Crossing IV LLC: Square 566, Lots 861-862 (part of Record Lot 50)

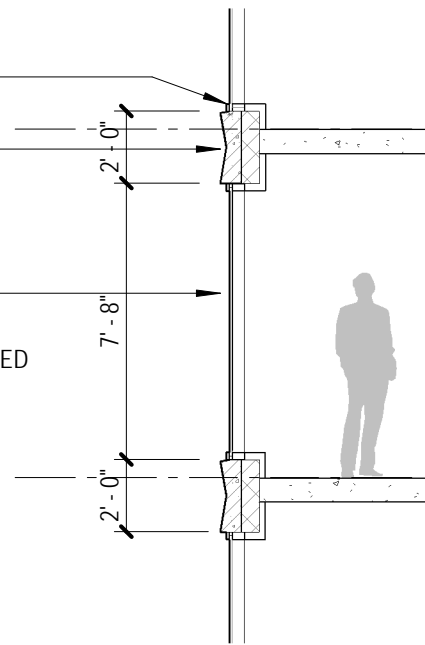
NOTE: ALL WINDOW GLAZING SYSTEM DETAILS AND SYSTEMS CONNECTIONS INDICATED ARE PRELIMINARY. ALL FACADE MATERIALS AND PROFILES ARE PRELIMINARY. FINAL WINDOW GLAZING SYSTEMS DETAILS AND CONNECTIONS AND MATERIALS MAY VARY



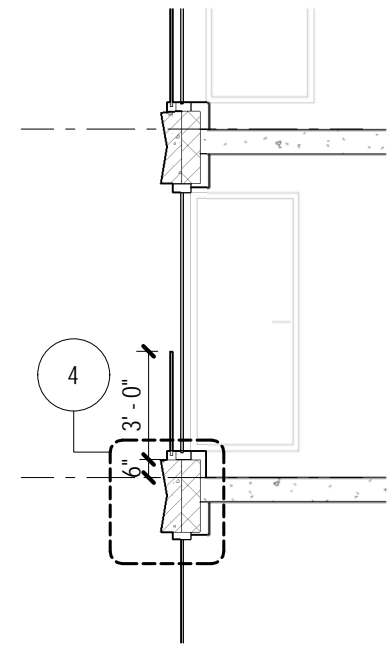


1. ELEVATION AT BUILDING FACADE

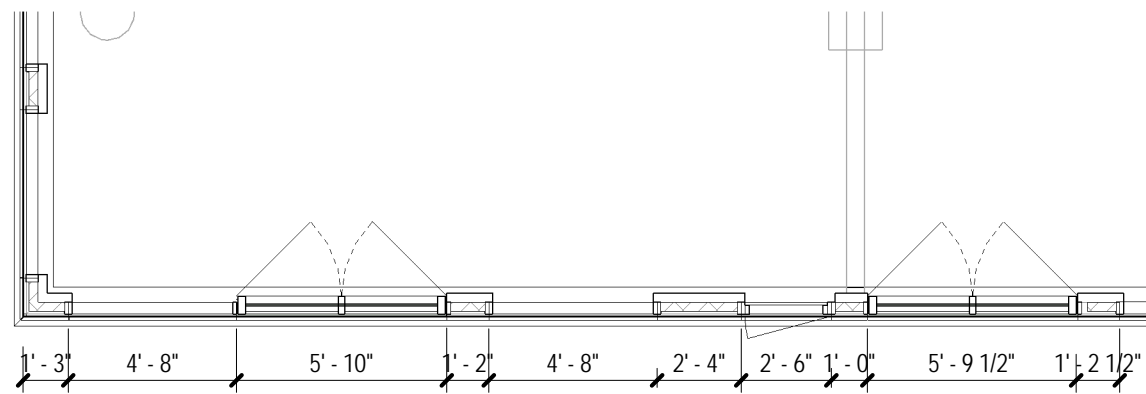
GLAZING, CLEAR  
 PRECAST CONCRETE  
 IGU GLAZING, CLEAR  
 IGU GLAZING, ACID-ETCHED  
 GLAZING, CLEAR



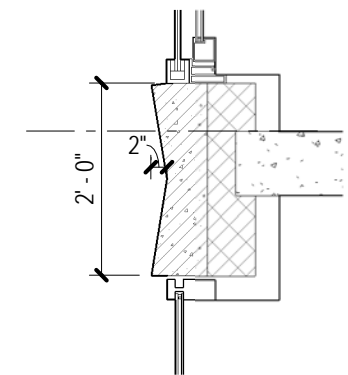
3a.. WALL SECTION



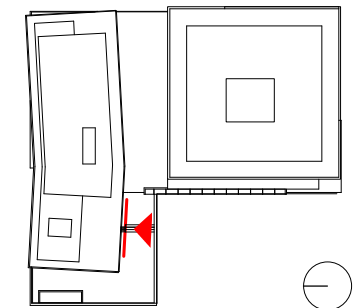
3b. WALL SECTION



2. PLAN



4. DETAIL - SECTION

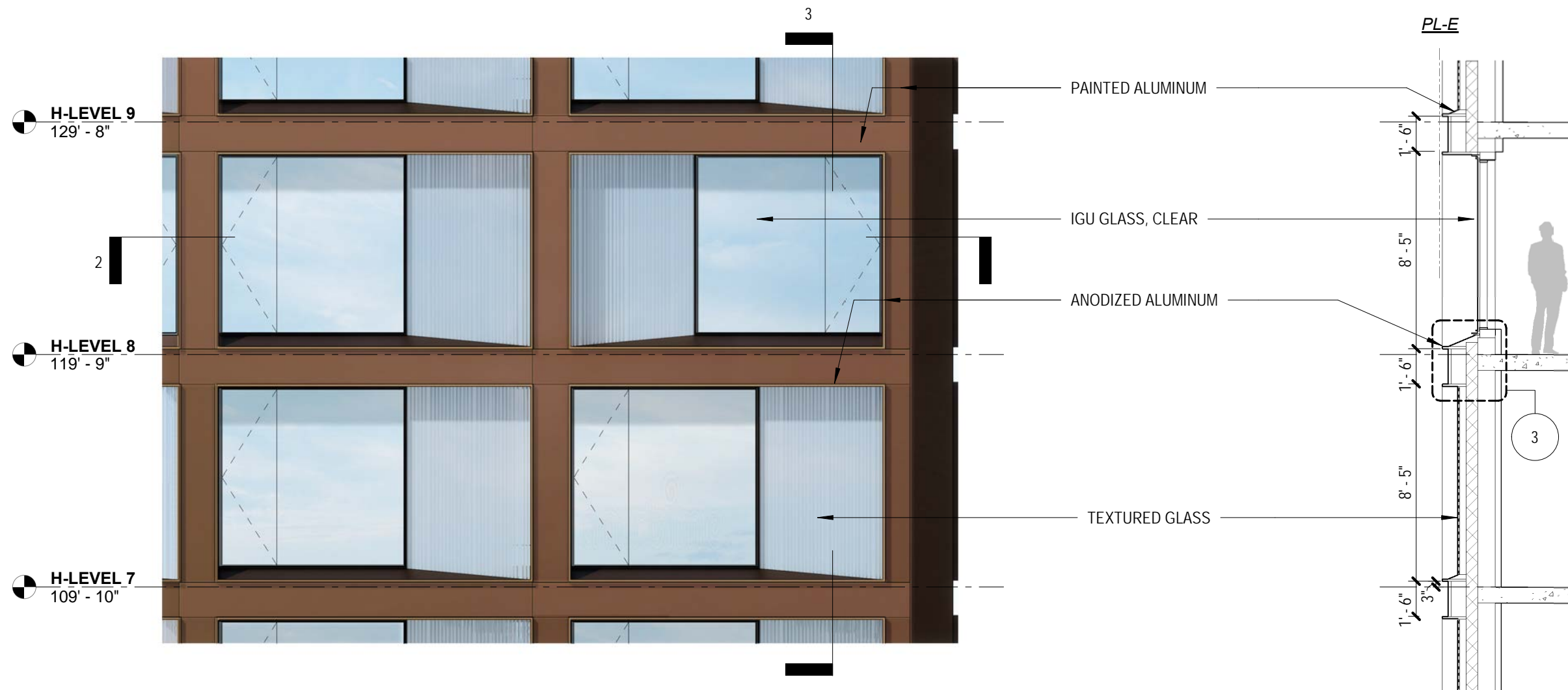


KEY PLAN

# Exterior Details - Residential - Wall Type 1 with Juliet Balcony

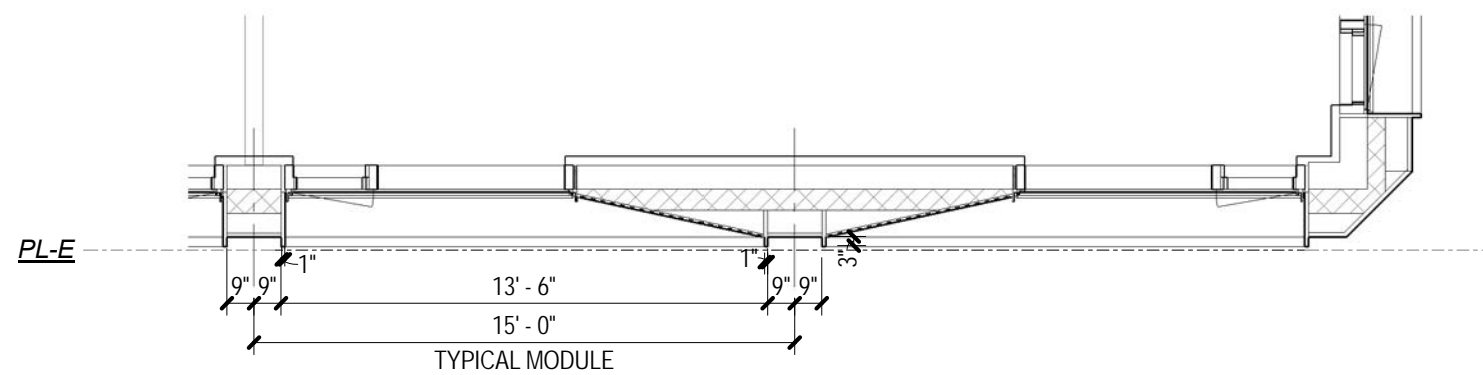
PUD Stage II Filing: Capitol Crossing III LLC and Capitol Crossing IV LLC: Square 566, Lots 861-862 (part of Record Lot 50)

NOTE: ALL WINDOW GLAZING SYSTEM DETAILS AND SYSTEMS CONNECTIONS INDICATED ARE PRELIMINARY. ALL FACADE MATERIALS AND PROFILES ARE PRELIMINARY. FINAL WINDOW GLAZING SYSTEMS DETAILS AND CONNECTIONS AND MATERIALS MAY VARY

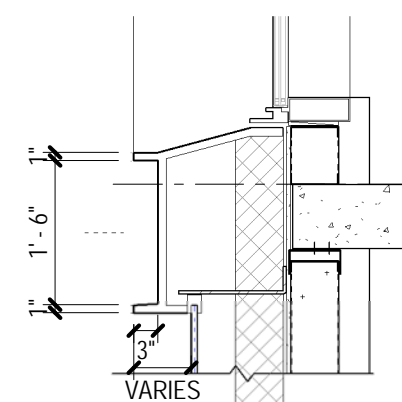


1. ELEVATION

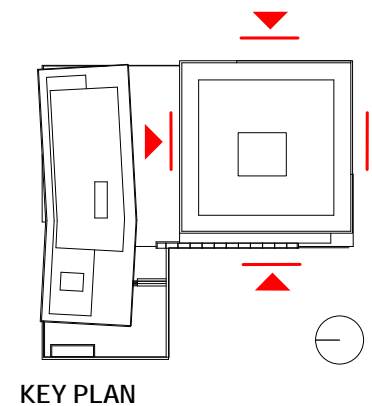
3. WALL SECTION



2. PLAN



3. SECTION DETAIL

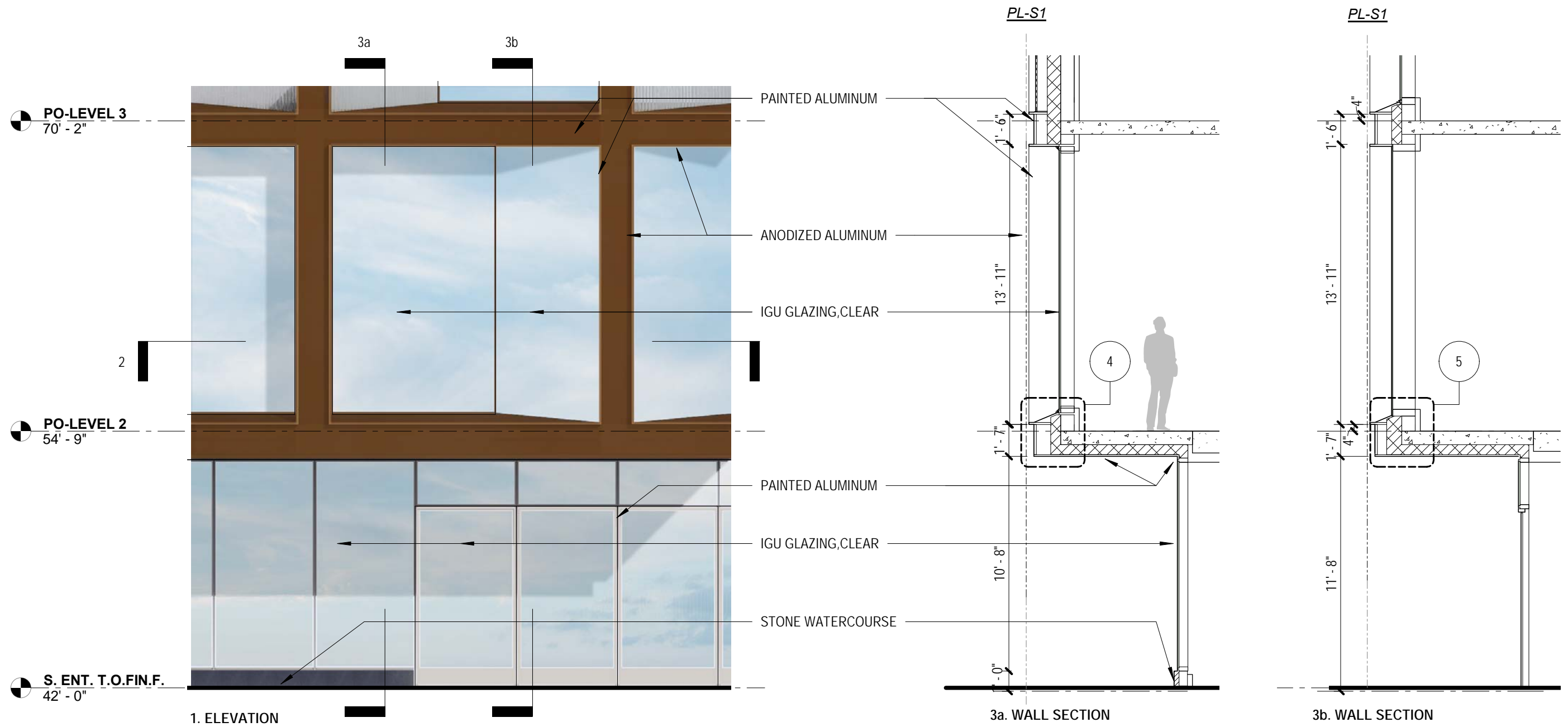


KEY PLAN

# Exterior Details - Hotel - Wall Type 1 (Typical)

PUD Stage II Filing: Capitol Crossing III LLC and Capitol Crossing IV LLC: Square 566, Lots 861-862 (part of Record Lot 50)

NOTE: ALL WINDOW GLAZING SYSTEM DETAILS AND SYSTEMS CONNECTIONS INDICATED ARE PRELIMINARY. ALL FACADE MATERIALS AND PROFILES ARE PRELIMINARY. FINAL WINDOW GLAZING SYSTEMS DETAILS AND CONNECTIONS AND MATERIALS MAY VARY

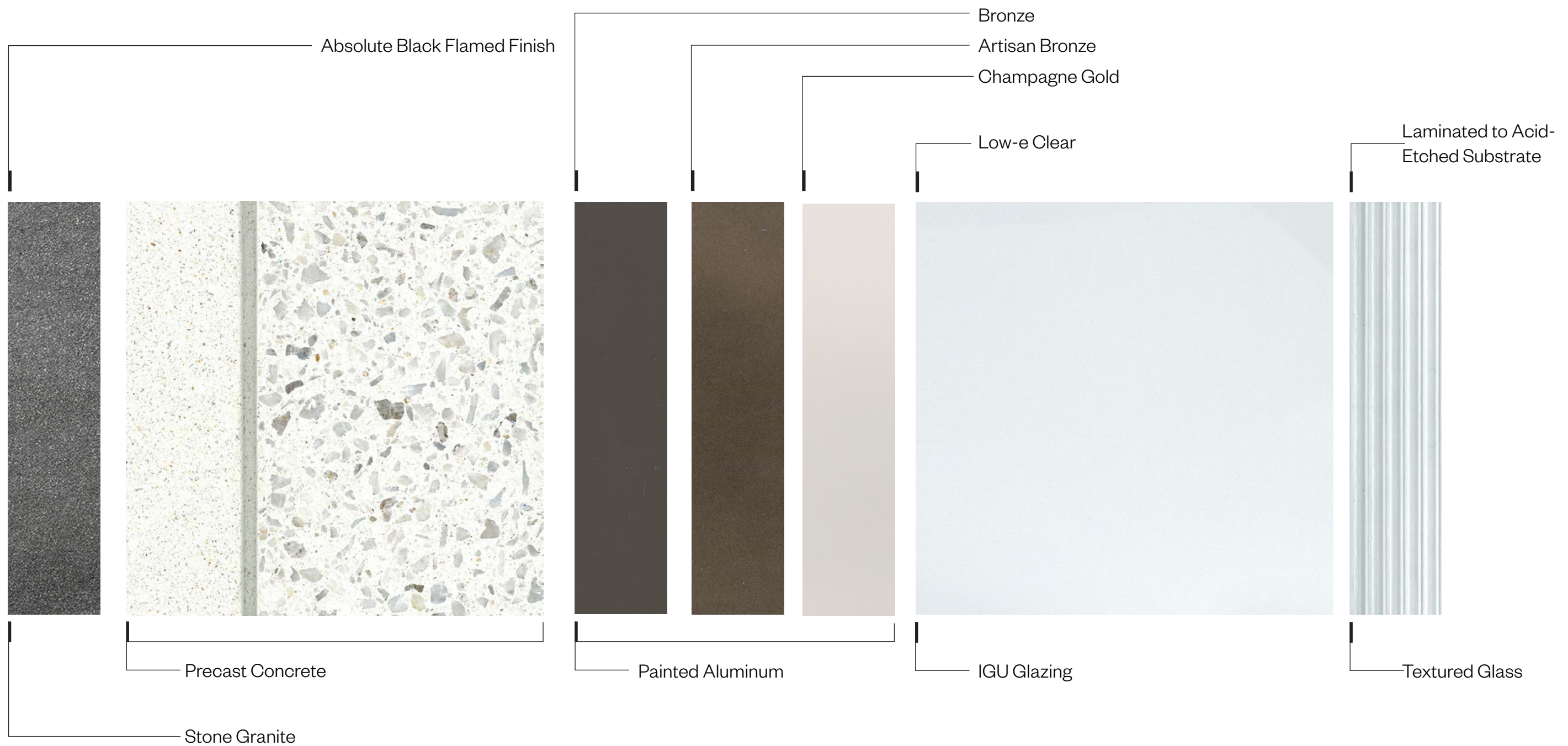


# Exterior Details - Hotel - Wall Type 1 (L2 & Podium)

PUD Stage II Filing: Capitol Crossing III LLC and Capitol Crossing IV LLC: Square 566, Lots 861-862 (part of Record Lot 50)

NOTE: ALL WINDOW GLAZING SYSTEM DETAILS AND SYSTEMS CONNECTIONS INDICATED ARE PRELIMINARY. ALL FACADE MATERIALS AND PROFILES ARE PRELIMINARY. FINAL WINDOW GLAZING SYSTEMS DETAILS AND CONNECTIONS AND MATERIALS MAY VARY

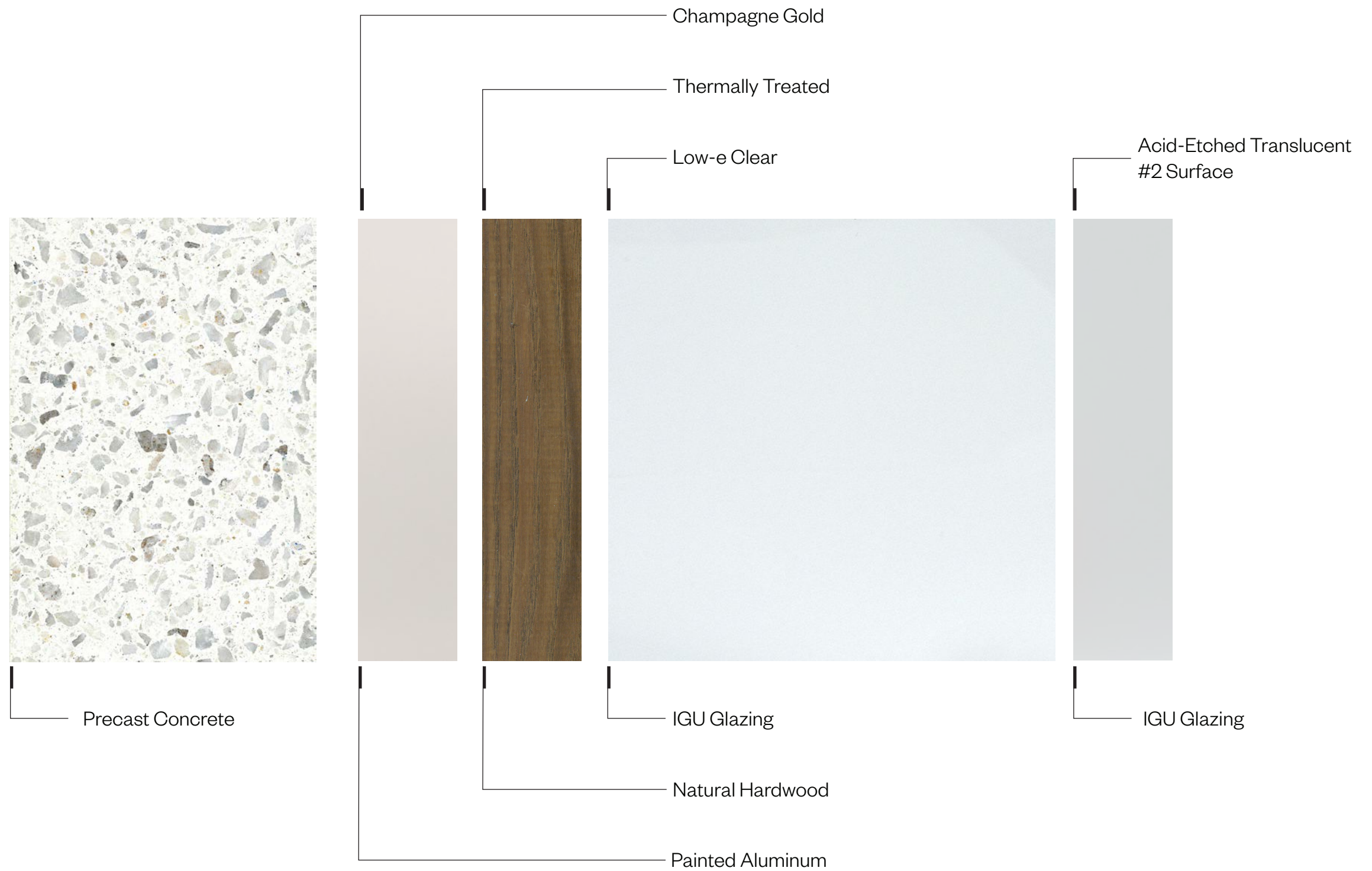
## 6-0: CCIII & CCIV Building Materials



# Building Materials - Podium

PUD Stage II Filing: Capitol Crossing III LLC and Capitol Crossing IV LLC: Square 566, Lots 861-862 (part of Record Lot 50)

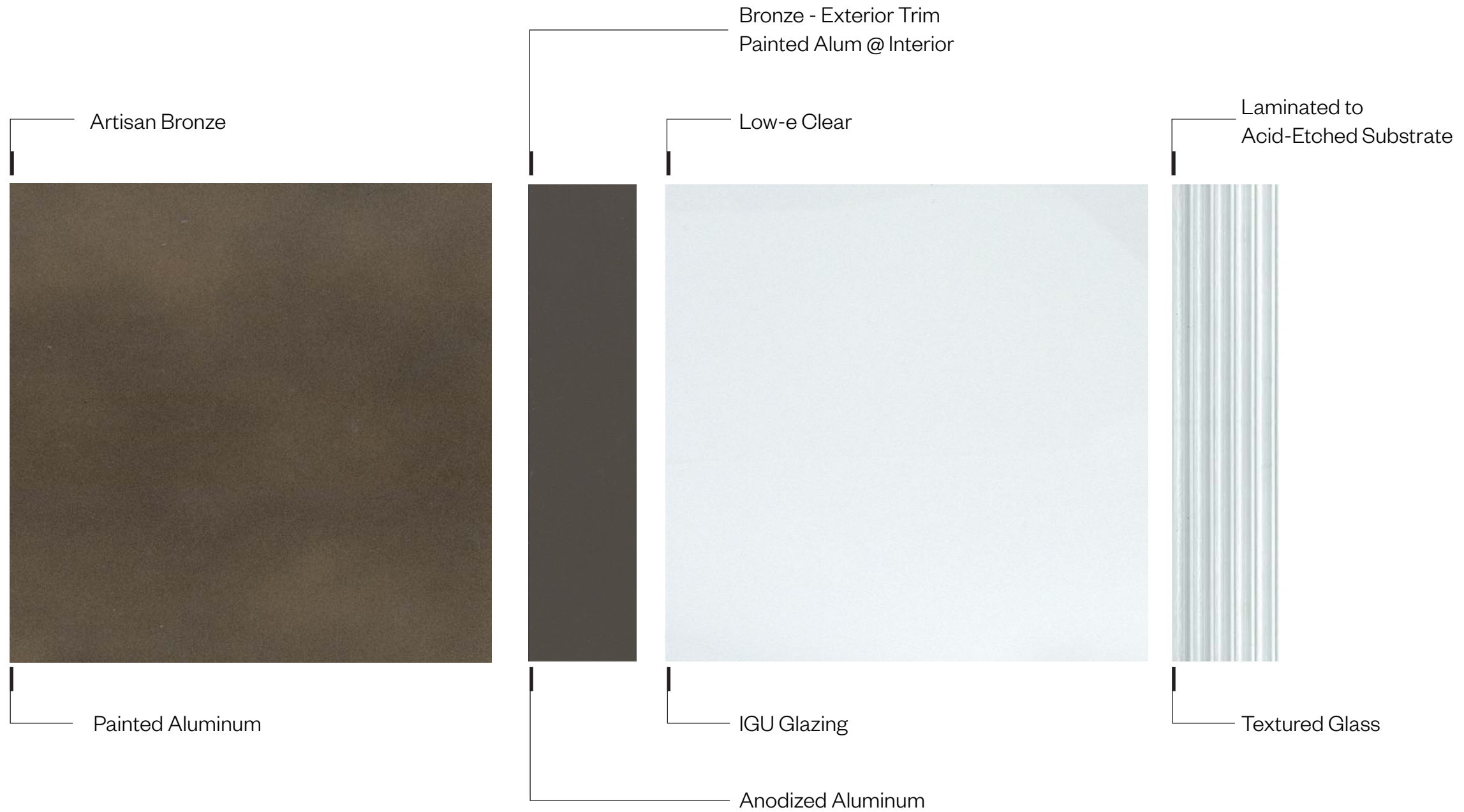
NOTE: ALL MATERIALS AND COLORS SHOWN ARE PRELIMINARY. FINAL MATERIALS AND COLOR MAY VARY.



## Building Materials - Residential

PUD Stage II Filing: Capitol Crossing III LLC and Capitol Crossing IV LLC: Square 566, Lots 861-862 (part of Record Lot 50)

NOTE: ALL MATERIALS AND COLORS SHOWN ARE PRELIMINARY. FINAL MATERIALS AND COLOR MAY VARY.



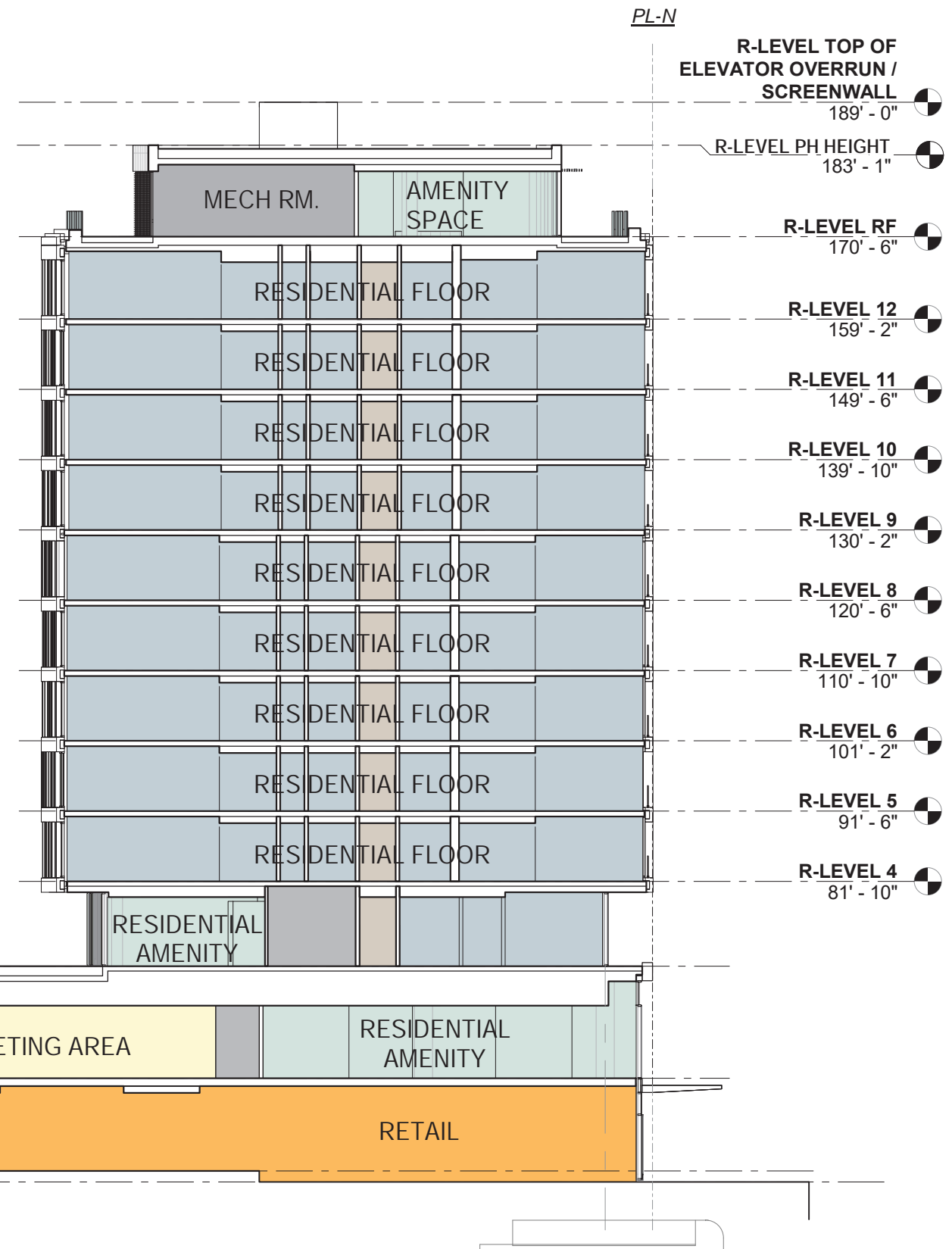
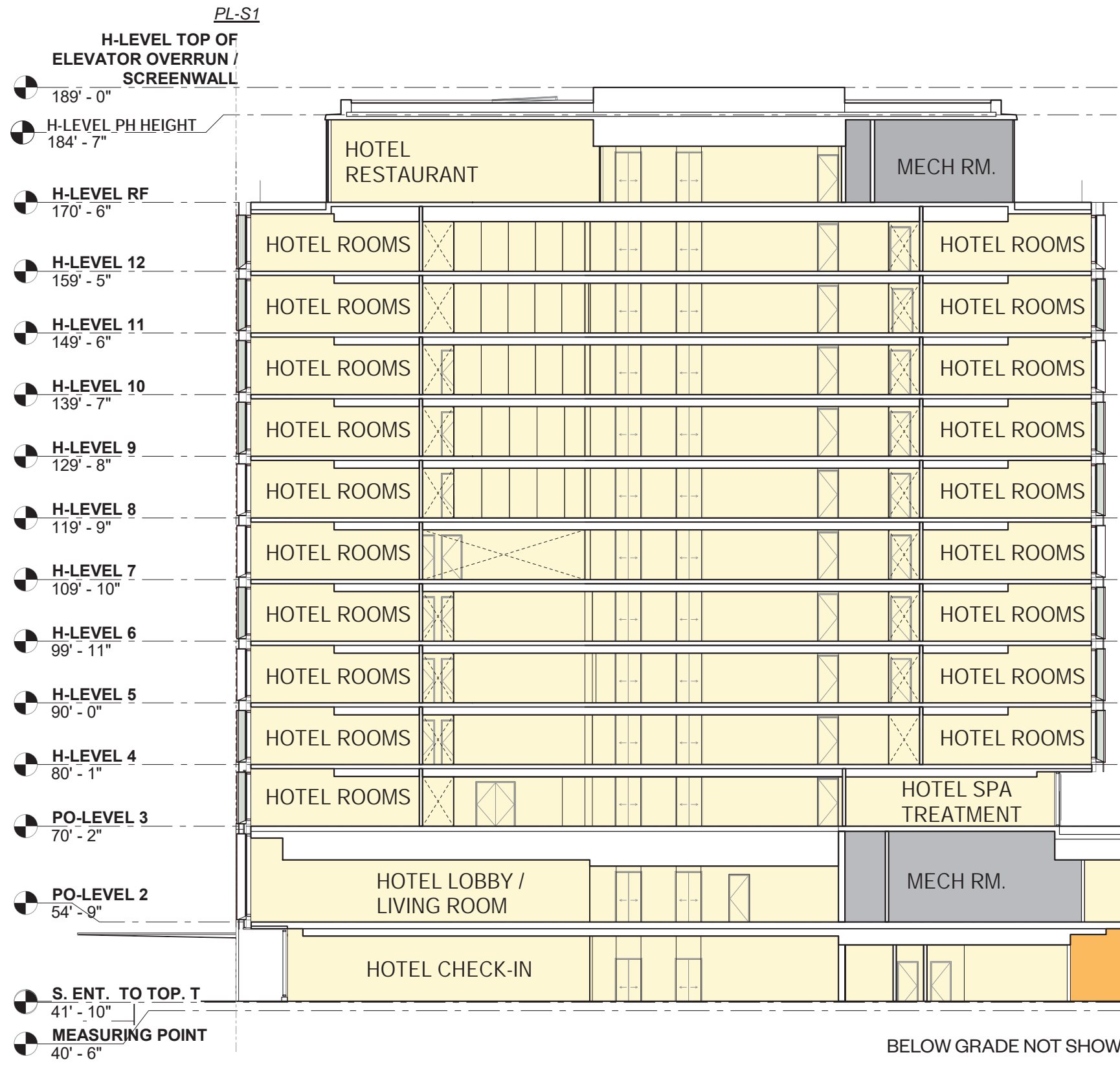
## Building Materials - Hotel

PUD Stage II Filing: Capitol Crossing III LLC and Capitol Crossing IV LLC: Square 566, Lots 861-862 (part of Record Lot 50)

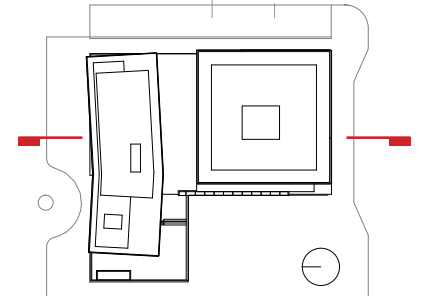
NOTE: ALL MATERIALS AND COLORS SHOWN ARE PRELIMINARY. FINAL MATERIALS AND COLOR MAY VARY.

## 7-0: CCIII & CCIV Building Sections





NOTE:  
BELOW GRADE SUBMITTED AND APPROVED OF PUD  
STAGE 1 OMITTED FOR CLARITY

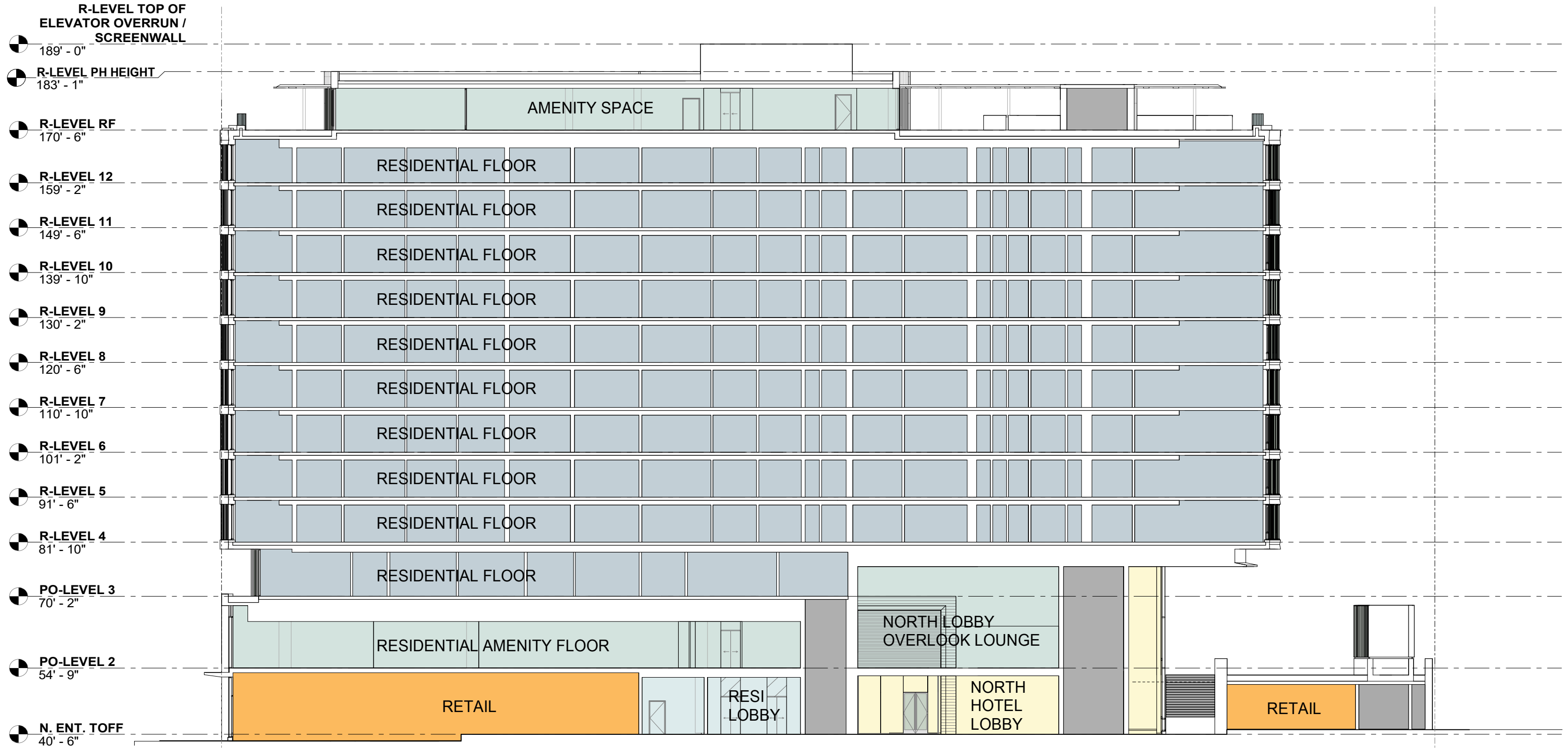


# Residential & Hotel North-South Section

PUD Stage II Filing: Capitol Crossing III LLC and Capitol Crossing IV LLC: Square 566, Lots 861-862 (part of Record Lot 50)

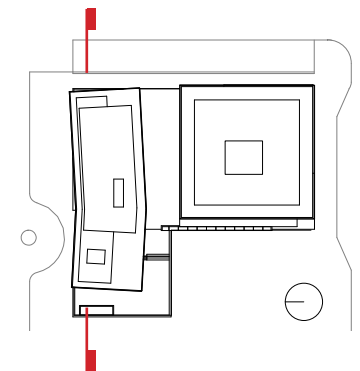
PL-E

PL-W2



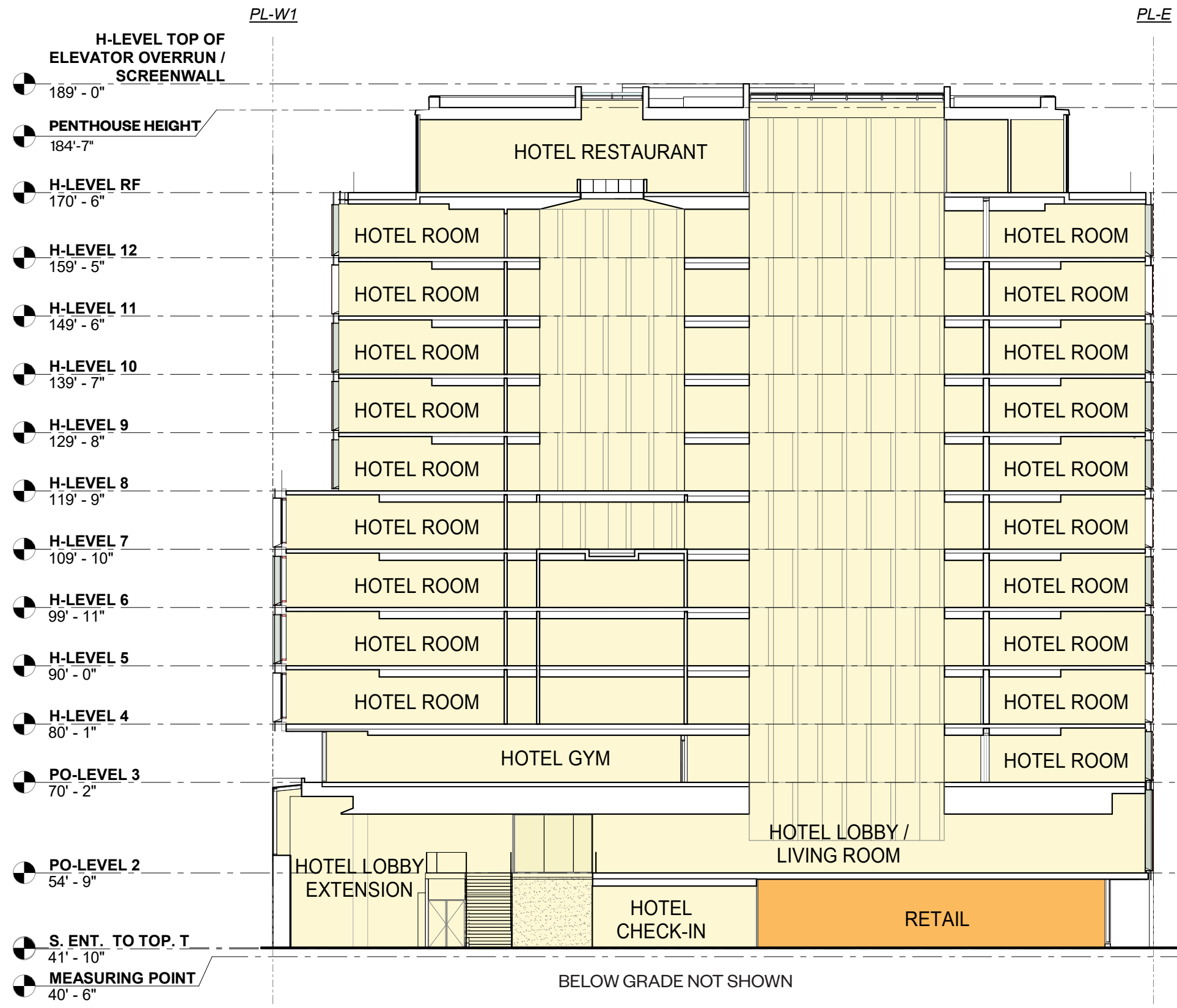
BELOW GRADE NOT SHOWN

NOTE:  
BELOW GRADE SUBMITTED AND APPROVED OF PUD  
STAGE 1 OMITTED FOR CLARITY

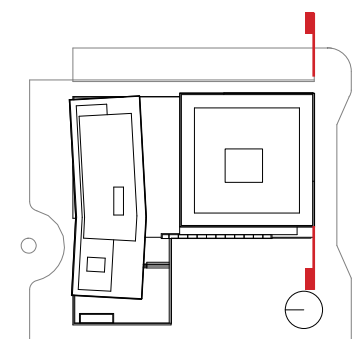


# Residential & Hotel East-West Section

PUD Stage II Filing: Capitol Crossing III LLC and Capitol Crossing IV LLC: Square 566, Lots 861-862 (part of Record Lot 50)

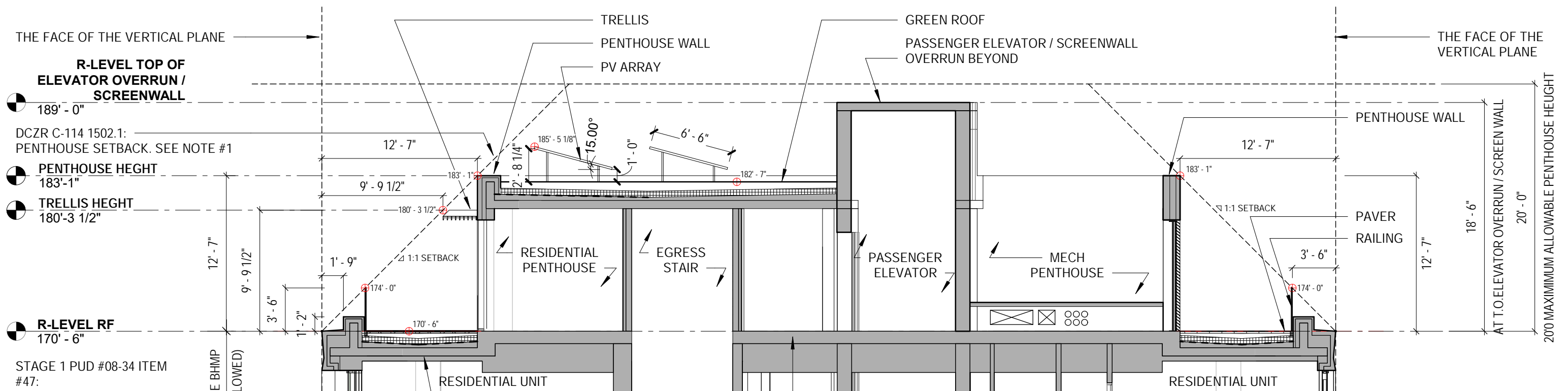


NOTE:  
BELOW GRADE SUBMITTED AND APPROVED OF PUD  
STAGE 1 OMITTED FOR CLARITY

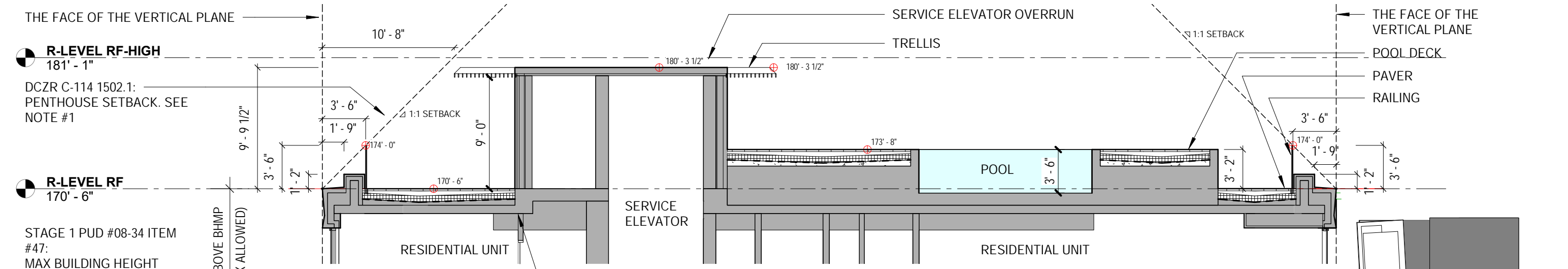


# Hotel East-West Section

PUD Stage II Filing: Capitol Crossing III LLC and Capitol Crossing IV LLC: Square 566, Lots 861-862 (part of Record Lot 50)



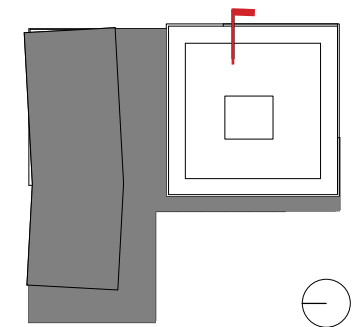
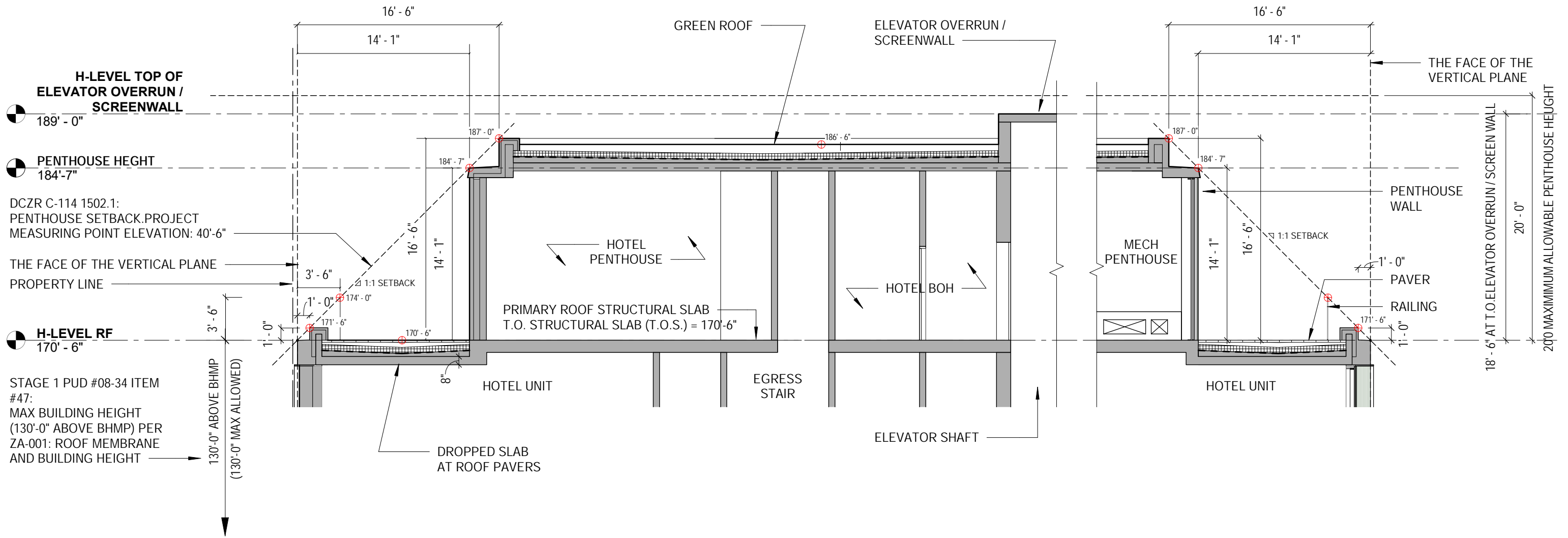
**SECTION 2**



**SECTION 1**

**Enlarged Section - Residential Penthouse**

PUD Stage II Filing: Capitol Crossing III LLC and Capitol Crossing IV LLC: Square 566, Lots 861-862 (part of Record Lot 50)



# Enlarged Section - Hotel Roof Setback

PUD Stage II Filing: Capitol Crossing III LLC and Capitol Crossing IV LLC: Square 566, Lots 861-862 (part of Record Lot 50)