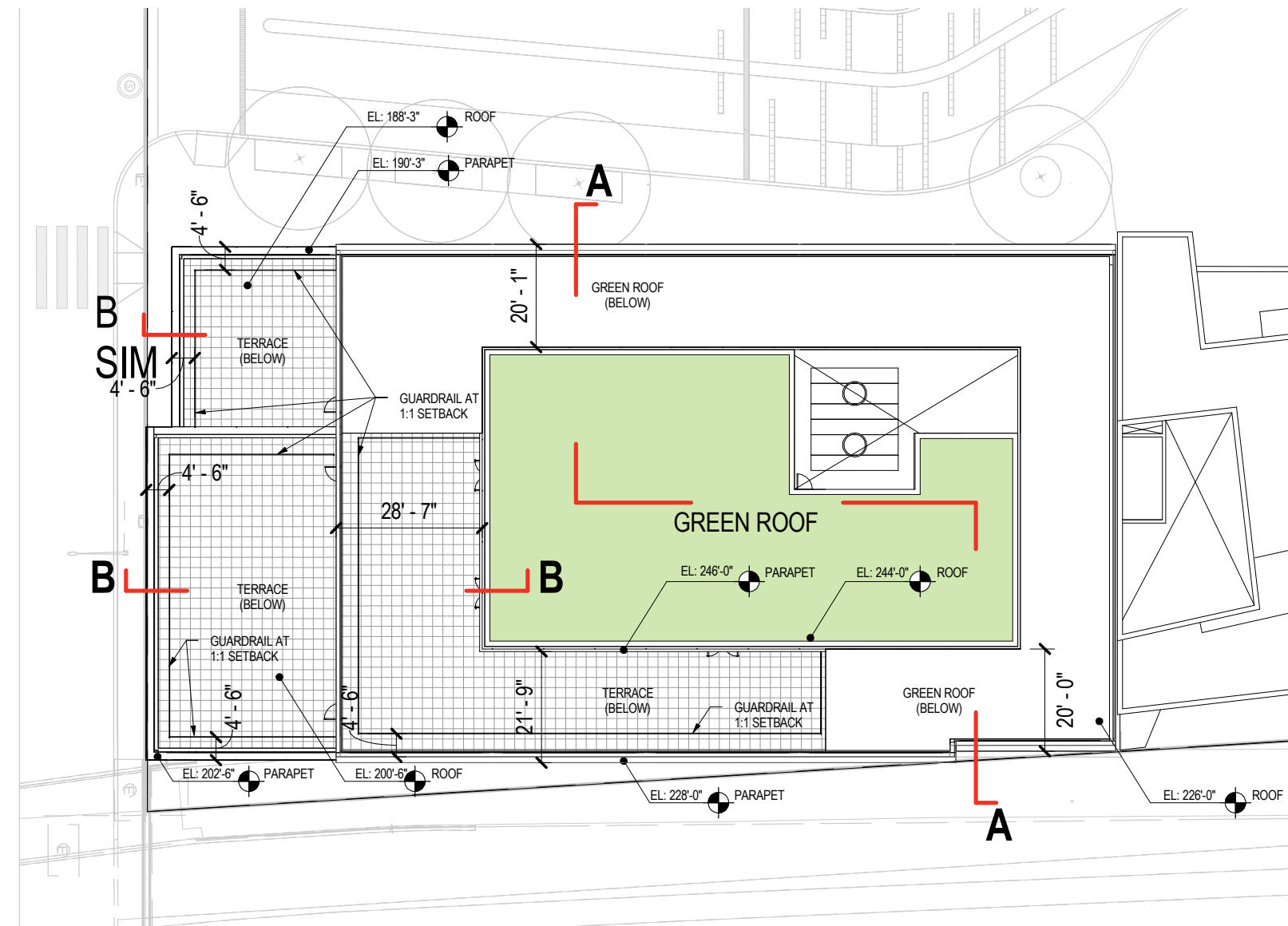
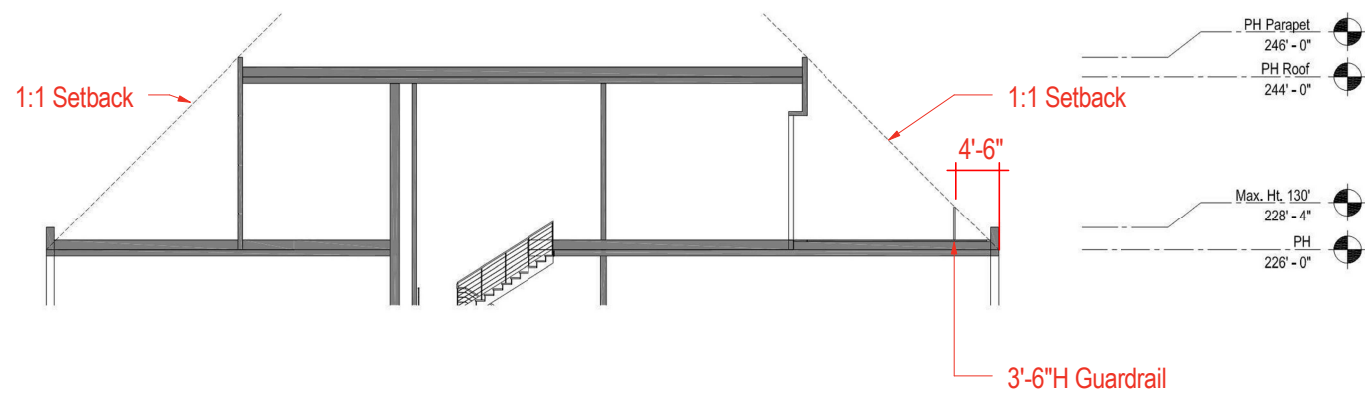


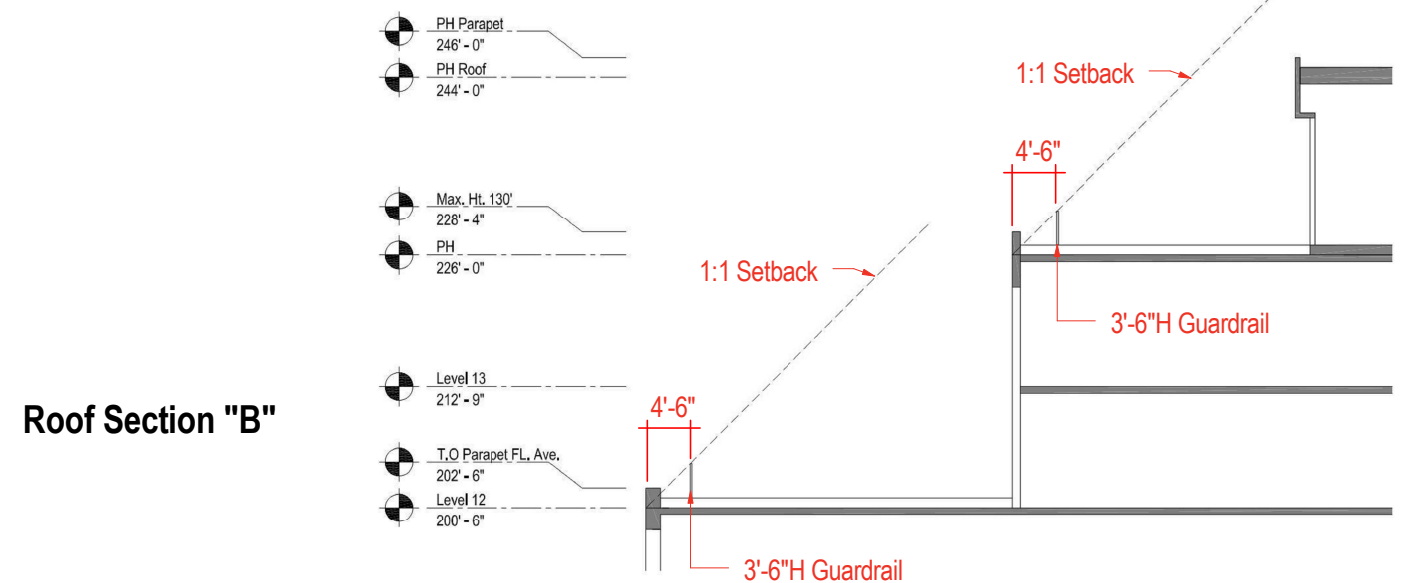
Roof View



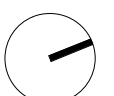
Roof Plan

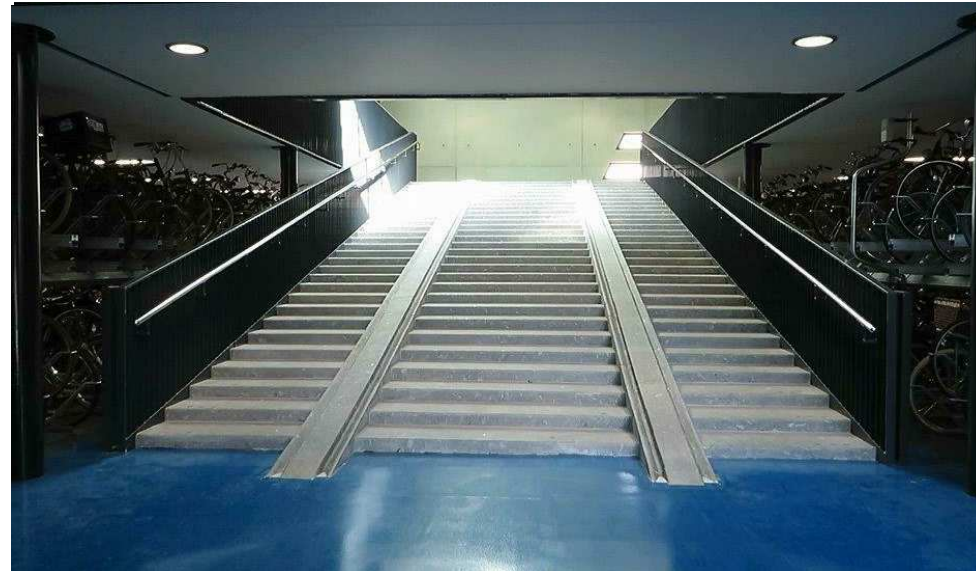


Roof Section "A"



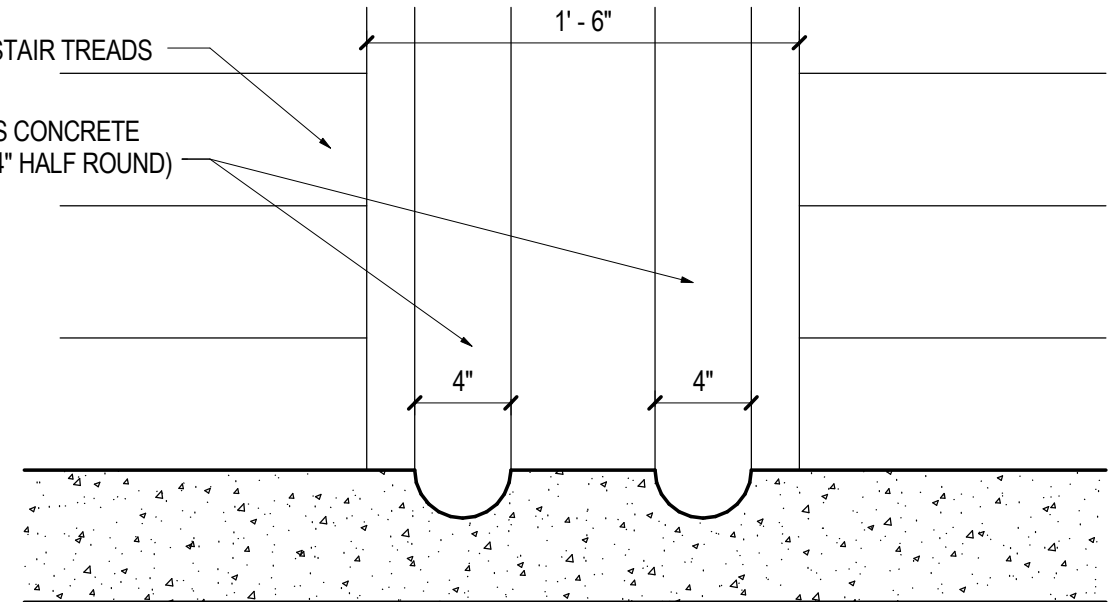
Roof Section "B"





CONCRETE STAIR TREADS

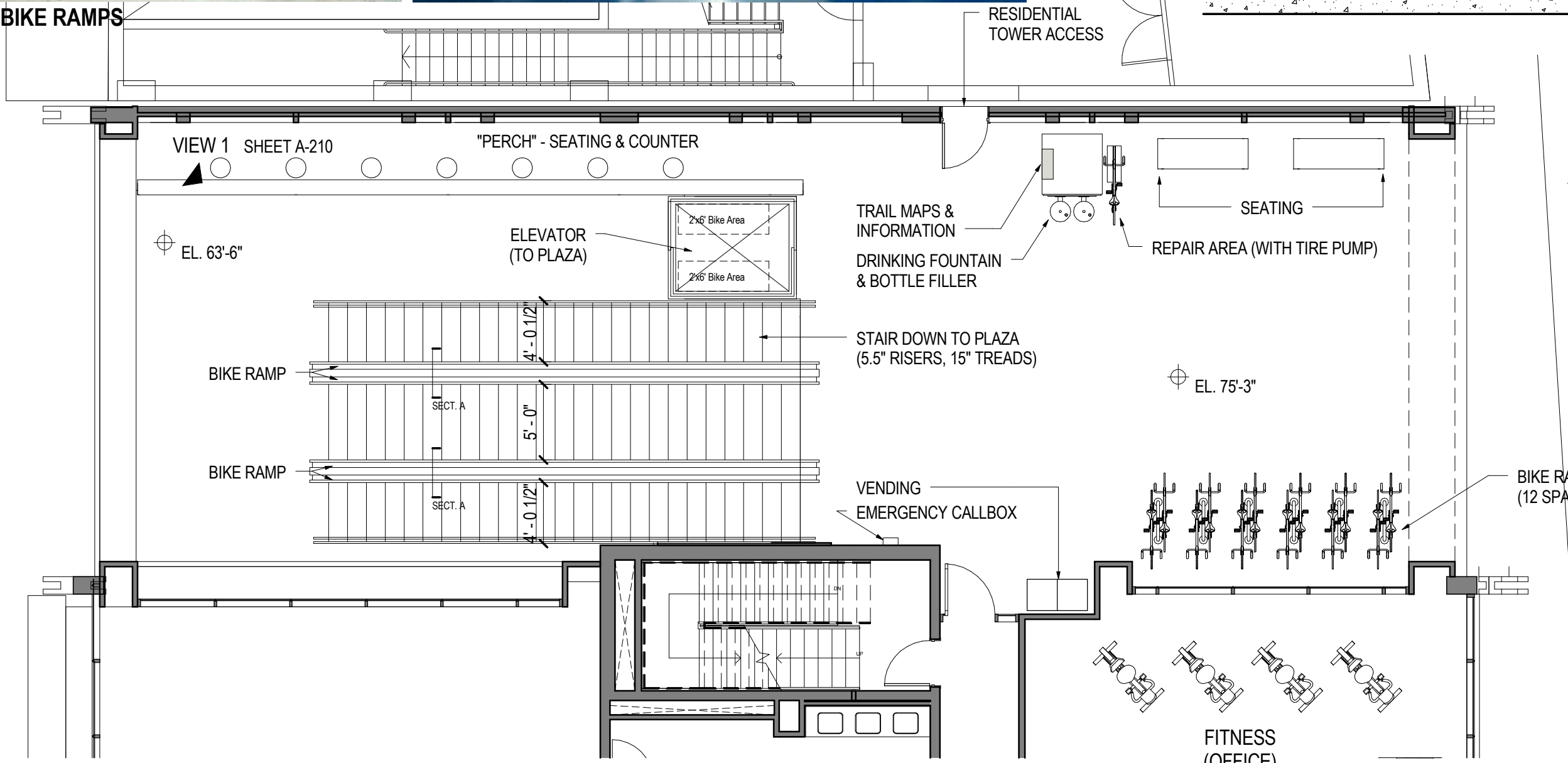
CONTINUOUS CONCRETE BIKE RAMP (4" HALF ROUND)



SECTION A - TYP. BIKE RAMP

EXAMPLE BIKE RAMPS

RESIDENTIAL TOWER ACCESS



VIEW 1 SHEET A-210

"PERCH" - SEATING & COUNTER

ELEVATOR (TO PLAZA)

TRAIL MAPS & INFORMATION

DRINKING FOUNTAIN & BOTTLE FILLER

SEATING

REPAIR AREA (WITH TIRE PUMP)

STAIR DOWN TO PLAZA (5.5" RISERS, 15" TREADS)

EL. 75'-3"

BIKE RAMP

SECT. A

BIKE RAMP

SECT. A

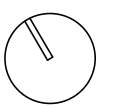
VENDING
EMERGENCY CALLBOX

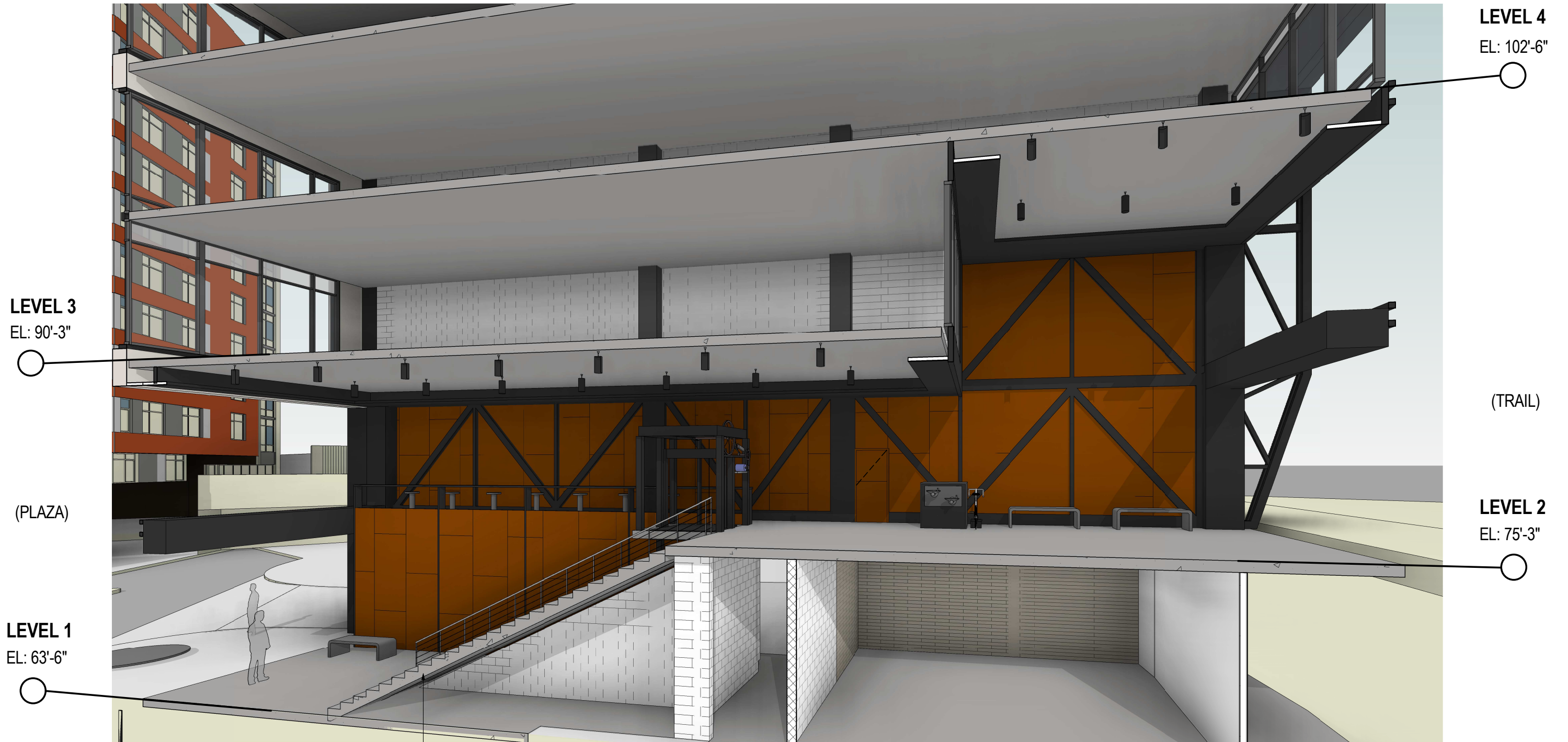
BIKE RACKS (12 SPACES)

FITNESS (OFFICE)

VIEW 4 SHEET A-212

VIEW 2 SHEET A-211





LEVEL 3
EL: 90'-3"

LEVEL 4
EL: 102'-6"

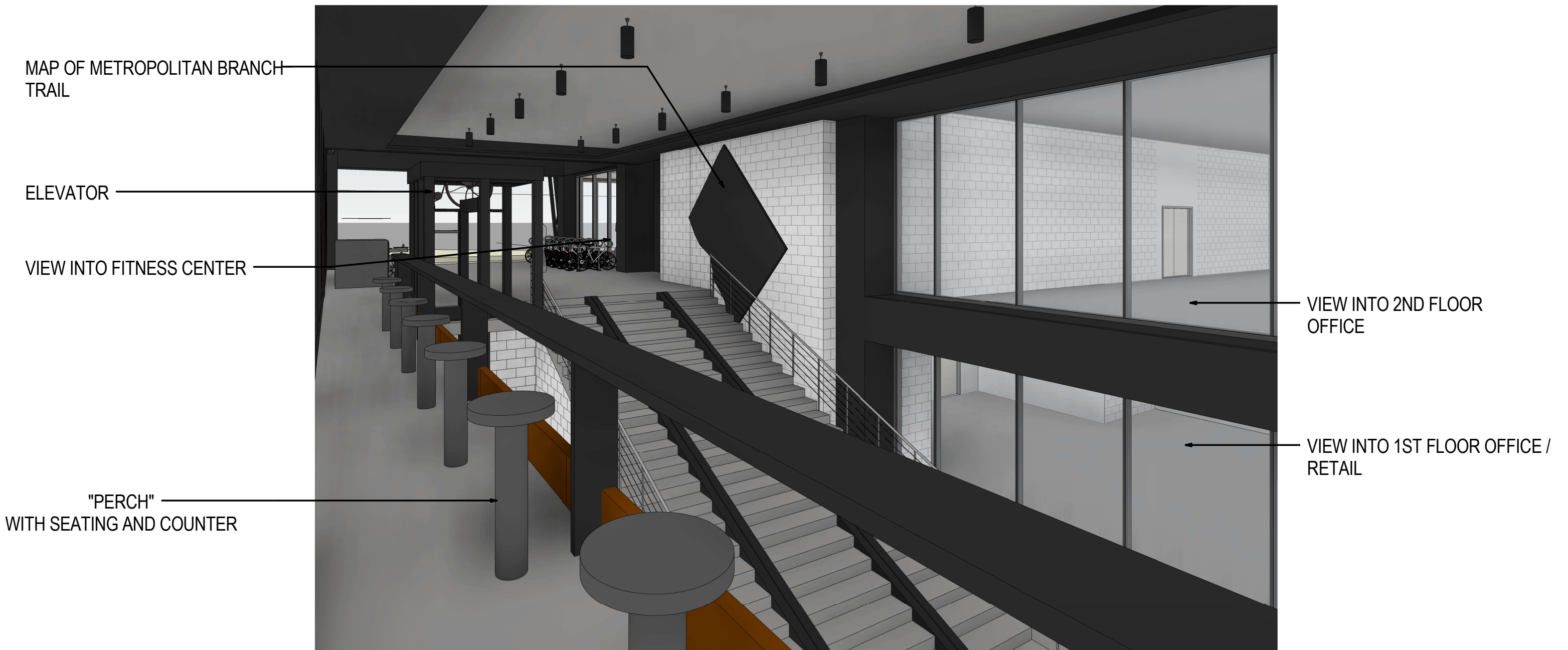
(PLAZA)

(TRAIL)

LEVEL 1
EL: 63'-6"

LEVEL 2
EL: 75'-3"

Stairs shown at 5.5" risers and 15" treads



VIEW 1 - "PERCH"