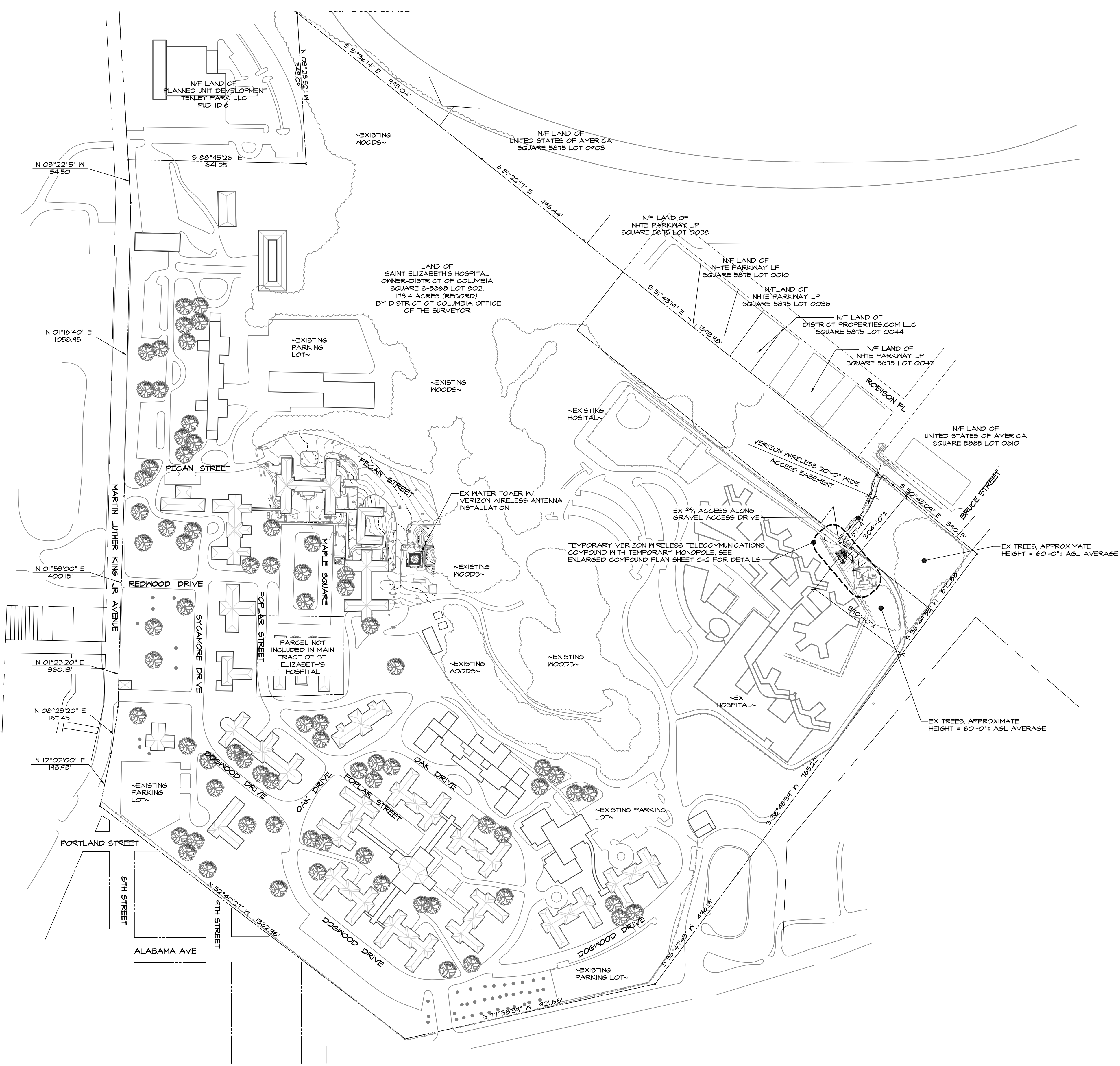


VICINITY MAP
SCALE: 1" = 1500'

SITE



SITE NOTES:

1. APPLICANT: VERIZON WIRELESS
7600 MONTELEK ROAD
FLOOR 2, SOUTH NETWORK
LAUREL, MD 20723
TEL: (301) 512-2000
FAX: (301) 512-2186
2. PROPERTY OWNER: M.S. DIAMOND
LAW OFFICES OF M. GREGG DIAMOND, P.C.
7500 WOODMONT AVENUE, SUITE 402
BETHESDA, MARYLAND 20814-5874
(240) 346-5874
3. SITE DATA: 55L 50605/802
ADDRESS: 2700 MARTIN LUTHER KING JR AVENUE
WASHINGTON, D.C. 20022
EXISTING USE: HOSPITAL/TELECOMMUNICATIONS
4. ZONING: UNZONED
5. TOTAL DISTURBED AREA OUTSIDE EXISTING COMPOUND = 1500 S.F.
6. THIS PROJECT CONSISTS OF INSTALLING ONE CELL-SITE ON WHEELS (COW) AND ONE (1) 150'-0" TEMPORARY MONOPOLE STRUCTURE WITHIN A TEMPORARY 48'-6" x 32'-6" FENCED COMPOUND. NINE (9) PANEL ANTENNAS WILL BE INSTALLED TO THE TEMPORARY MONOPOLE STRUCTURE AT A RAD CENTER OF APPROXIMATELY 148'-0" ABOVE GRADE LEVEL FOR THE RECEPTION OF VERIZON WIRELESS TELECOMMUNICATIONS.
7. THE STRUCTURE WILL NOT SUPPORT LIGHTS OR SIGNS UNLESS REQUIRED FOR AIRCRAFT WARNING OR OTHER SAFETY RECORDS.
8. THE APPLICANT WILL PROVIDE A CERTIFICATION FROM A REGISTERED ENGINEER THAT THE STRUCTURE WILL MEET THE APPLICABLE DESIGN STANDARDS FOR WIND LOADS, OF THE ELECTRONIC INDUSTRIES ASSOCIATES (EIA).
9. IF THE ANTENNAS ARE NO LONGER USED FOR TELECOMMUNICATIONS PURPOSES FOR A CONTINUOUS PERIOD OF ONE (1) YEAR, THEY SHALL BE REMOVED BY THE ANTENNA OWNER AT OWNER'S EXPENSE.
10. NO WATER OR SANITARY UTILITIES ARE REQUIRED FOR THE OPERATION OF THIS FACILITY.
11. STORMWATER MANAGEMENT NOTE: NO STORMWATER MANAGEMENT IS REQUIRED FOR THIS SITE.
12. BOUNDARY SHOWN PER COUNTY RECORDS. EXISTING SITE FEATURES SHOWN PER SURVEY BY DRH DESIGN GROUP, INC., APRIL 2010.
13. THIS PLAN PREPARED WITHOUT THE BENEFIT OF A TITLE REPORT. PLAN IS SUBJECT TO EASEMENTS AND RESTRICTIONS OF RECORD.
14. ALL DETAILS SHOWN ARE "STANDARD" OR "TYPICAL" FOR REFERENCE ONLY. FOR ACTUAL DETAILS, SEE ARCHITECTURAL, STRUCTURAL OR CONSTRUCTION PLANS BY OTHERS.
15. STRUCTURAL ANALYSIS/DESIGN TO BE PERFORMED BY OTHERS AT CLIENT AND/OR OWNER'S DISCRETION PRIOR TO COMMENCEMENT OF ANY WORK.

GENERAL NOTES:

1. CONTRACTOR SHALL NOTIFY "MISS UTILITY" (811) 48 HOURS PRIOR TO DOING ANY EXCAVATION IN THIS AREA. CONTRACTOR SHALL CONTACT A SUBSURFACE UTILITY LOCATOR FOR LOCATION OF EXISTING UTILITIES PRIOR TO COMMENCEMENT OF ANY CONSTRUCTION ACTIVITIES. CONTRACTOR SHALL VERIFY EXISTING UTILITY LOCATIONS BY TEST PIT AS NECESSARY. LOCATION OF UTILITIES SHOWN ON THIS PLAN ARE APPROXIMATE AND FOR PLANNING PURPOSES ONLY. THE CONTRACTOR SHALL DETERMINE THE EXACT LOCATION OF ALL EXISTING UTILITIES BEFORE COMMENCING WORK, AND AGREES TO BE FULLY RESPONSIBLE FOR ANY AND ALL DAMAGES WHICH MIGHT BE OCCASIONED BY THE CONTRACTOR'S FAILURE TO EXACTLY LOCATE AND PRESERVE ANY AND ALL UNDERGROUND UTILITIES. DAMAGE TO UTILITIES OR PROPERTY OF OTHER BY THE CONTRACTOR DURING CONSTRUCTION SHALL BE REPAIRED TO PRECONSTRUCTION CONDITIONS BY THE CONTRACTOR.
2. ALL WORK SHALL BE COMPLETED IN ACCORDANCE WITH ALL STATE AND LOCAL CODES AND ORDINANCES, THE LATEST EDITION THEREOF.
3. ANY PERMITS WHICH MUST BE OBTAINED SHALL BE THE CONTRACTOR'S RESPONSIBILITY. CONTRACTOR SHALL SECURE ALL NECESSARY PERMITS FROM ALL APPLICABLE GOVERNMENTAL AGENCIES. THE CONTRACTOR SHALL BE RESPONSIBLE FOR ABIDING BY ALL CONDITIONS AND REQUIREMENTS OF THE PERMITS.
4. CONTRACTOR SHALL COORDINATE ALL UTILITY CONNECTIONS WITH APPROPRIATE UTILITY OWNERS.
5. THESE PLANS ARE NOT FOR RECORDATION OR CONVEYANCE.
6. EXISTING PAVEMENT AND OTHER SURFACES DISTURBED BY CONTRACTOR (WHICH ARE NOT TO BE REMOVED) SHALL BE REPAIRED TO PRECONSTRUCTION CONDITIONS BY THE CONTRACTOR.

SITE PLAN
SCALE: 1" = 200'-0"

MORRIS & RITCHIE ASSOCIATES, INC.
Civil / Structural Engineers
1220-C East Joppa Road, Suite 505
Towson, Maryland 21286
410-821-1890
410-821-1748 Fax

verizon
ST ELIZABETH RELOCATION
2700 MLK JR BOULEVARD SE
WASHINGTON, DC 20022 (DISTRICT OF COLUMBIA)

REVISIONS:

NO.	DESCRIPTION	DATE
1	ZONING DWGS	3/9/18
2	VzW COMMENTS	4/13/18
3	OP COMMENTS	05/21/18

DESIGNED BY:	RJD
DRAWN BY:	AJJ
PROJECT NO:	10427.2540
DATE:	02/05/2018
SCALE:	AS NOTED

TITLE:
Site Plan

SHEET:
C-1

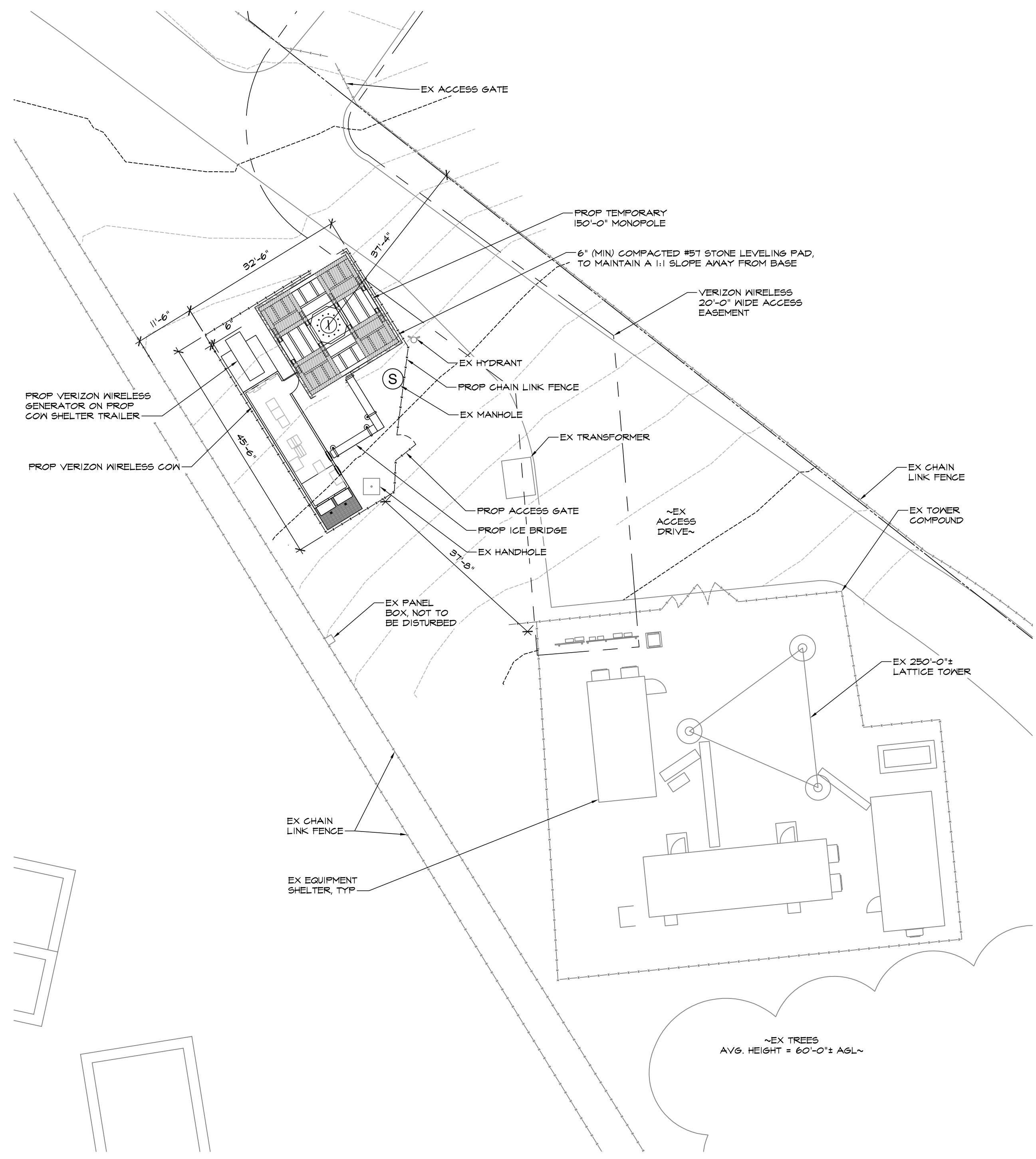


Know what's below. Call before you dig.

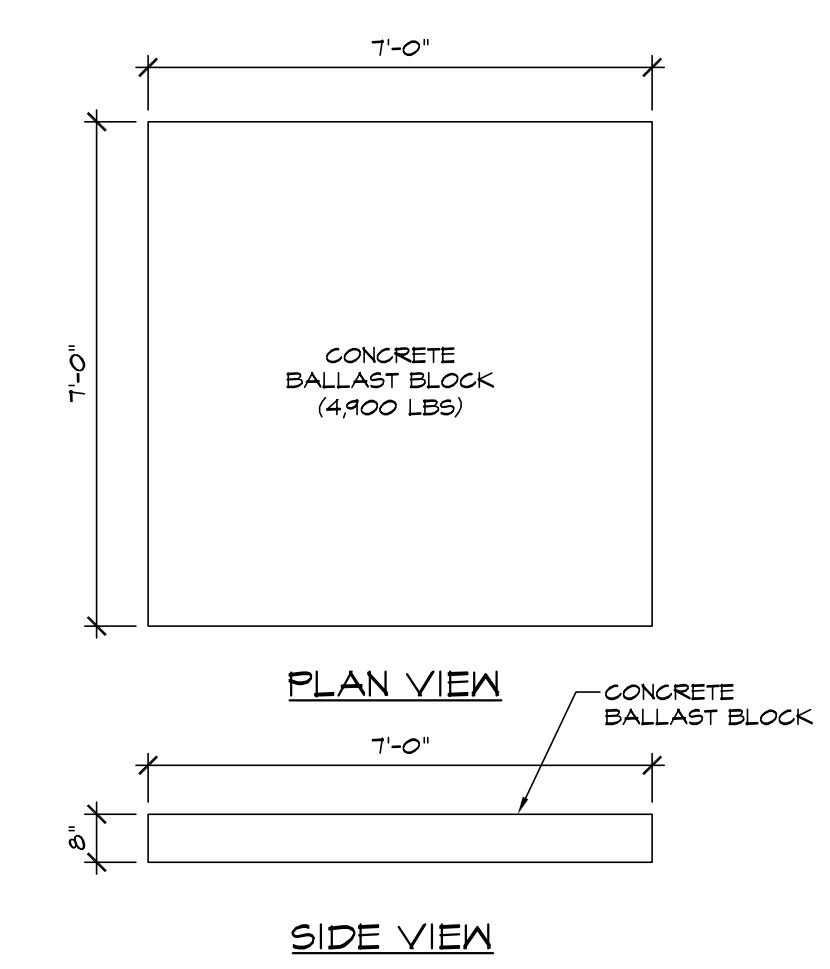
PROTECT YOURSELF. GIVE THREE WORKING DAYS' NOTICE.
THIS DRAWING DOES NOT INCLUDE NECESSARY COMPONENTS FOR CONSTRUCTION SAFETY. ALL CONSTRUCTION MUST BE DONE IN COMPLIANCE WITH THE OCCUPATIONAL SAFETY AND HEALTH ACT OF 1970 AND ALL RULES AND REGULATIONS THERE TO APPURTENANT.

STRUCTURAL CERTIFICATION
STRUCTURAL PLANS CERTIFIED AS PROVIDED IN SECTION 1061A1 OF THE D.C. CONSTRUCTION CODES SUPPLEMENT AS AMENDED TO DATE

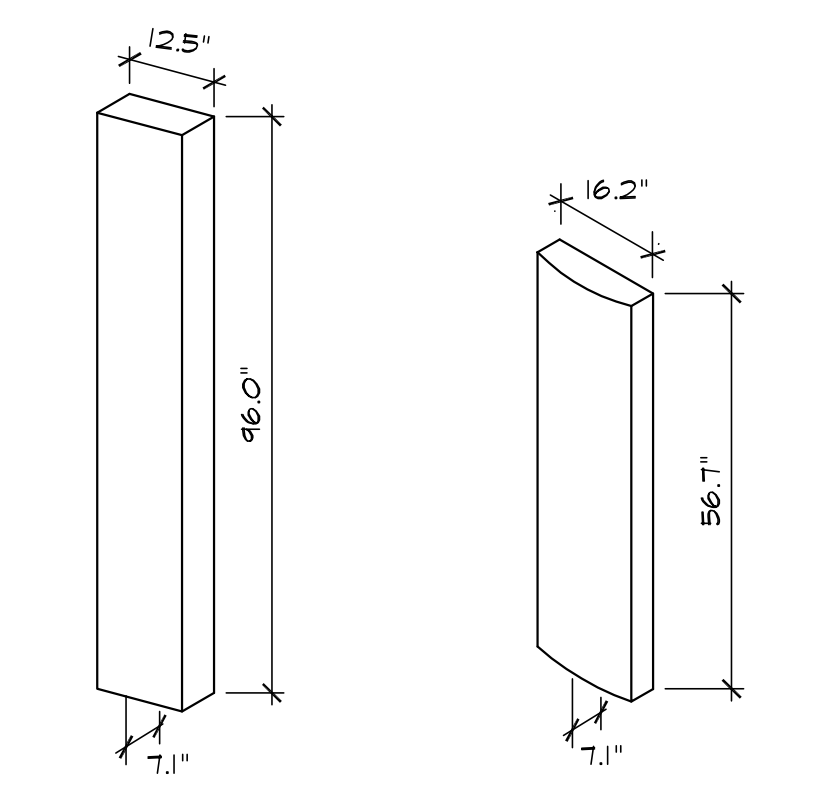
A B C D E F G H J K L M N P Q R



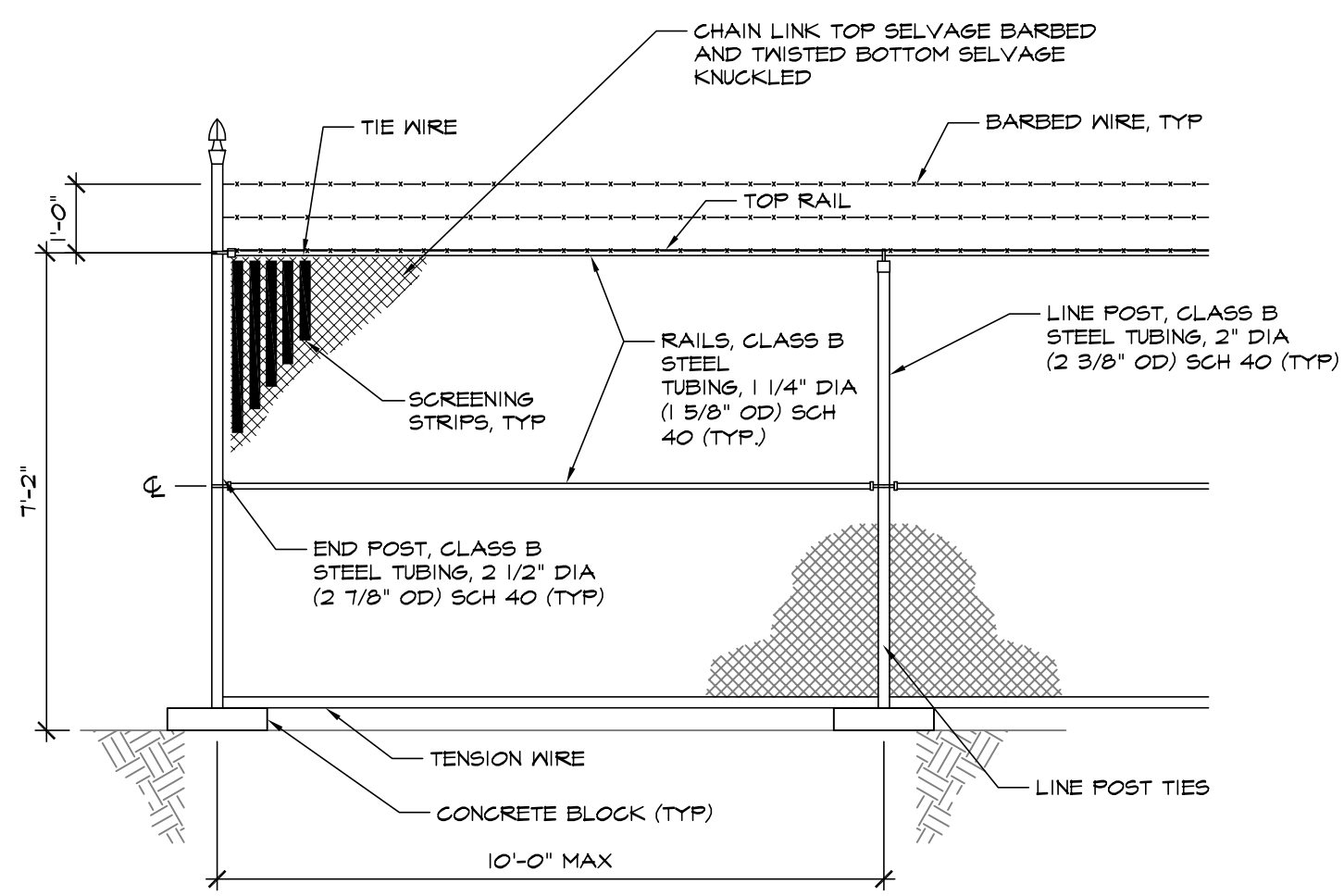
ENLARGED COMPOUND LAYOUT
SCALE: 1" = 15'-0"



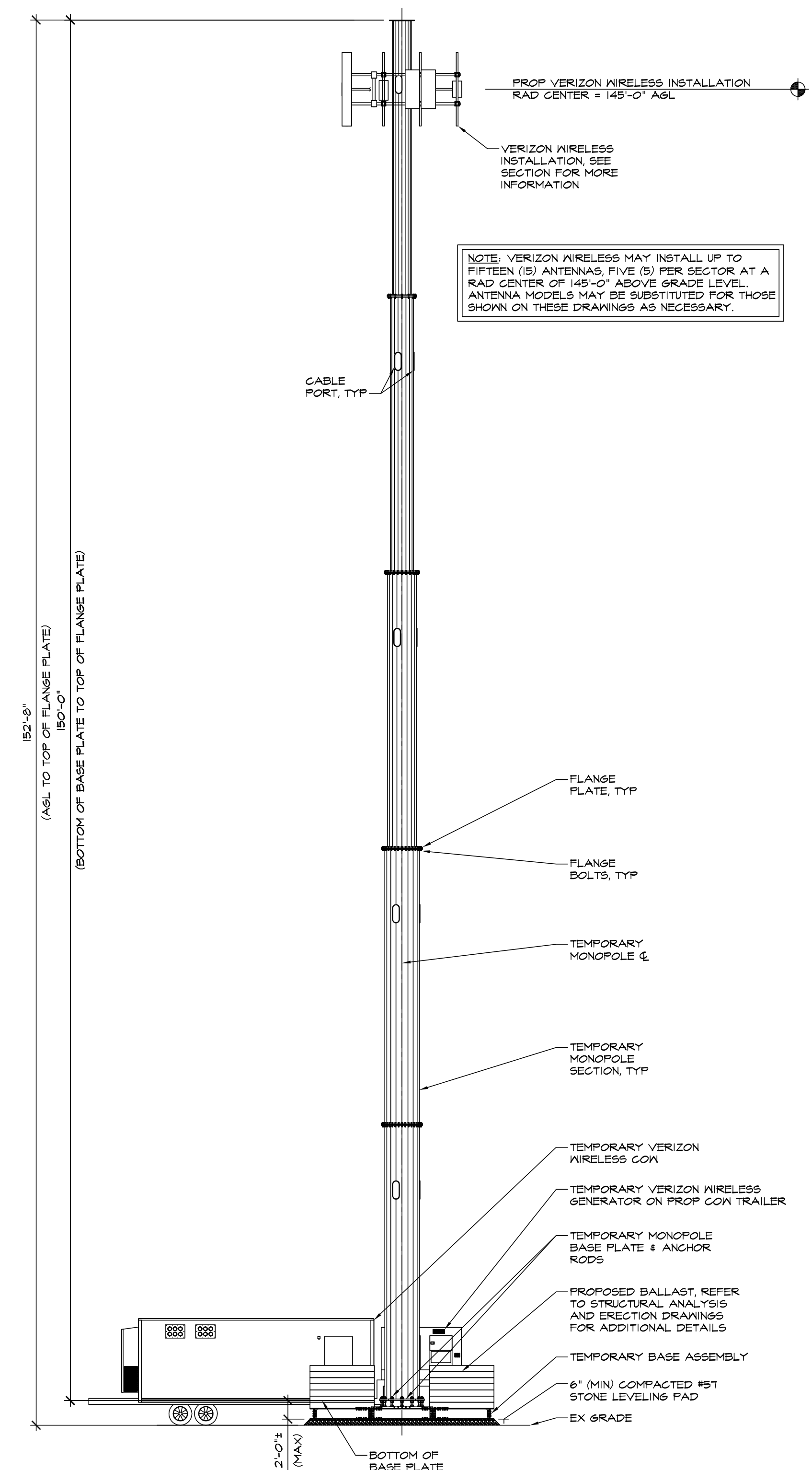
TYP BALLAST BLOCK DETAIL
SCALE: 3/8" = 1'-0"



VERIZON WIRELESS ANTENNA DETAILS
NOT TO SCALE



CHAIN LINK FENCE DETAIL
SCALE: 3/8" = 1'-0"



TEMPORARY MONOPOLE ELEVATION
SCALE: 1" = 10'-0"

NOTE: VERIZON WIRELESS MAY INSTALL UP TO FIFTEEN (15) ANTENNAS, FIVE (5) PER SECTOR AT A RAD CENTER OF 145'-0" ABOVE GRADE LEVEL. ANTENNA MODELS MAY BE SUBSTITUTED FOR THOSE SHOWN ON THESE DRAWINGS AS NECESSARY.



MORRIS & RITCHIE ASSOCIATES, INC.
Civil / Structural Engineers
1220-C East Joppa Road, Suite 505
Towson, Maryland 21286
410-821-1890
410-821-1748 Fax



verizon
ST ELIZABETH RELOCATION
2700 MLK JR BOULEVARD SE
WASHINGTON, DC 20032 (DISTRICT OF COLUMBIA)

REVISIONS:

NO.	DESCRIPTION	DATE
1	ZONING DWGS	3/9/18
2	VZW COMMENTS	4/13/18
3	OP COMMENTS	05/21/18

DESIGNED BY: RJD
DRAWN BY: ALL
PROJECT NO: 10427.2340
DATE: 02/05/2018
SCALE: AS NOTED

TITLE:
Site Details

SHEET:
C-2



Know what's below.
Call before you dig.

PROTECT YOURSELF. GIVE THREE WORKING DAYS NOTICE.
THIS DRAWING DOES NOT INCLUDE NECESSARY COMPONENTS FOR CONSTRUCTION SAFETY. ALL CONSTRUCTION MUST BE DONE IN COMPLIANCE WITH THE OCCUPATIONAL SAFETY AND HEALTH ACT OF 1970 AND ALL RULES AND REGULATIONS THERE TO APPURTENANT.

STRUCTURAL CERTIFICATION
STRUCTURAL PLANS CERTIFIED AS PROVIDED IN SECTION 106.141 OF THE D.C. CONSTRUCTION CODES SUPPLEMENT AS AMENDED TO DATE