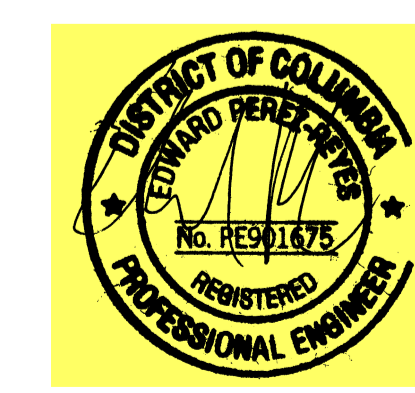
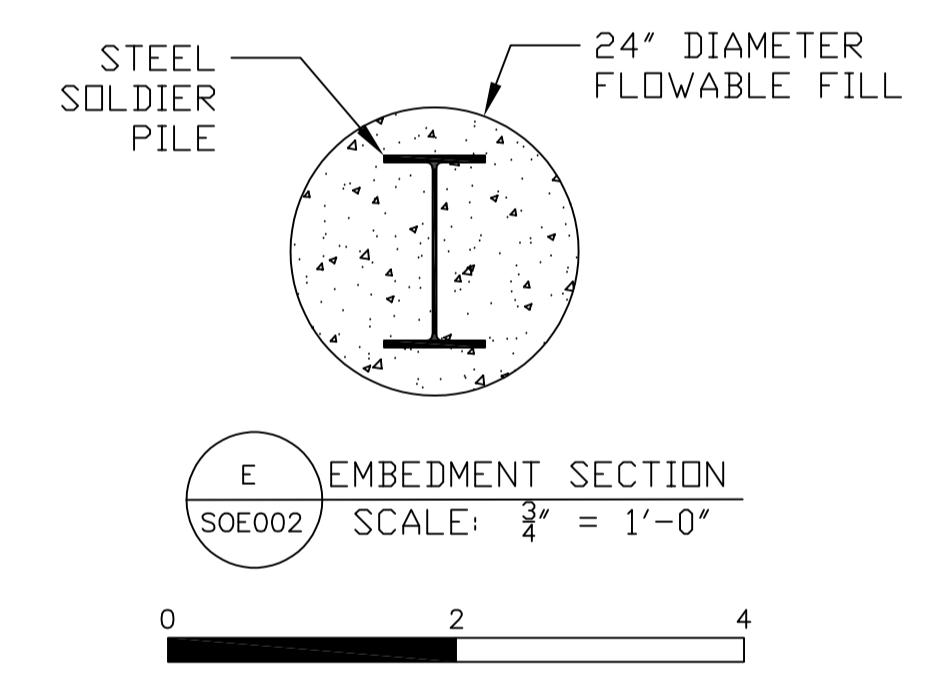
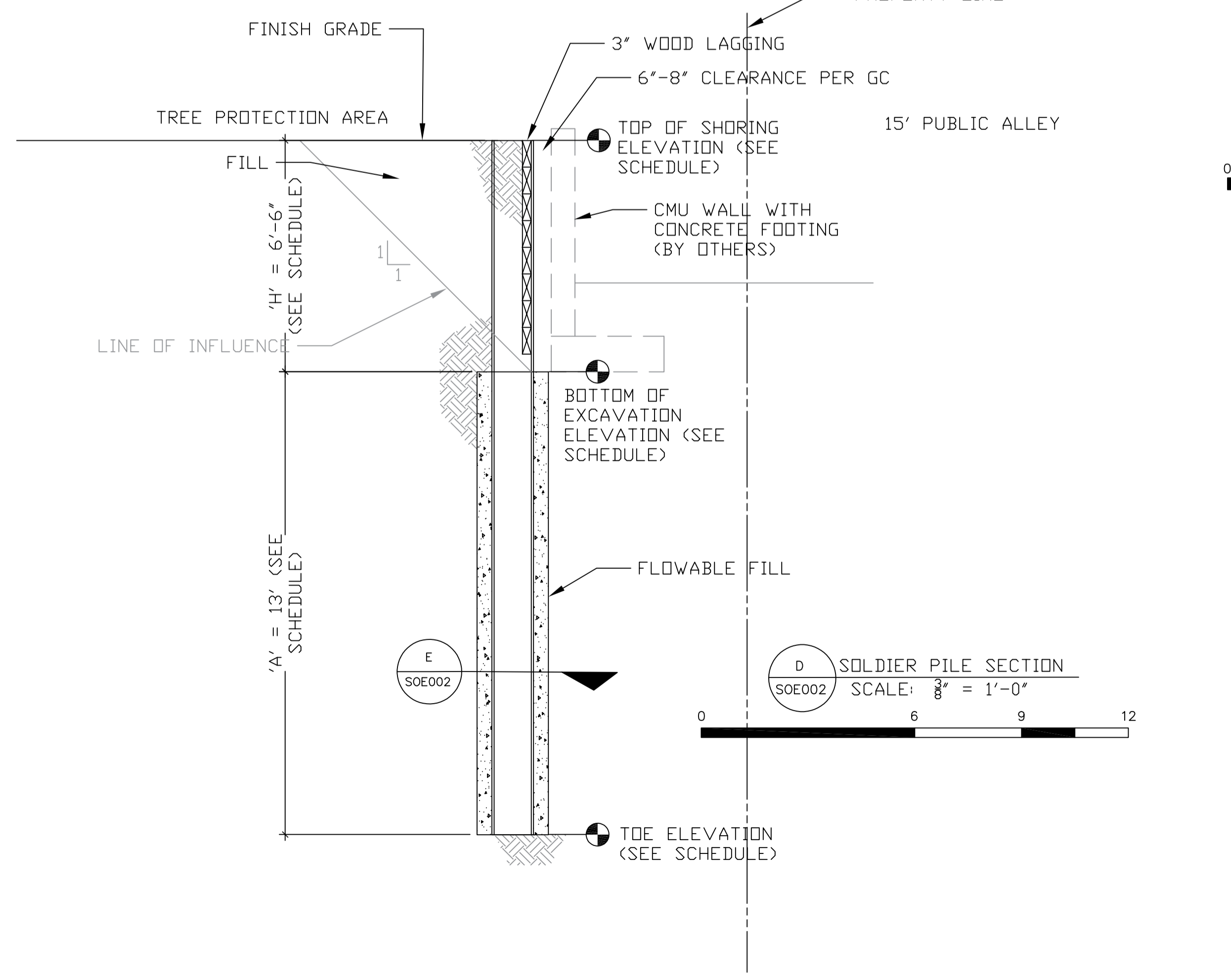
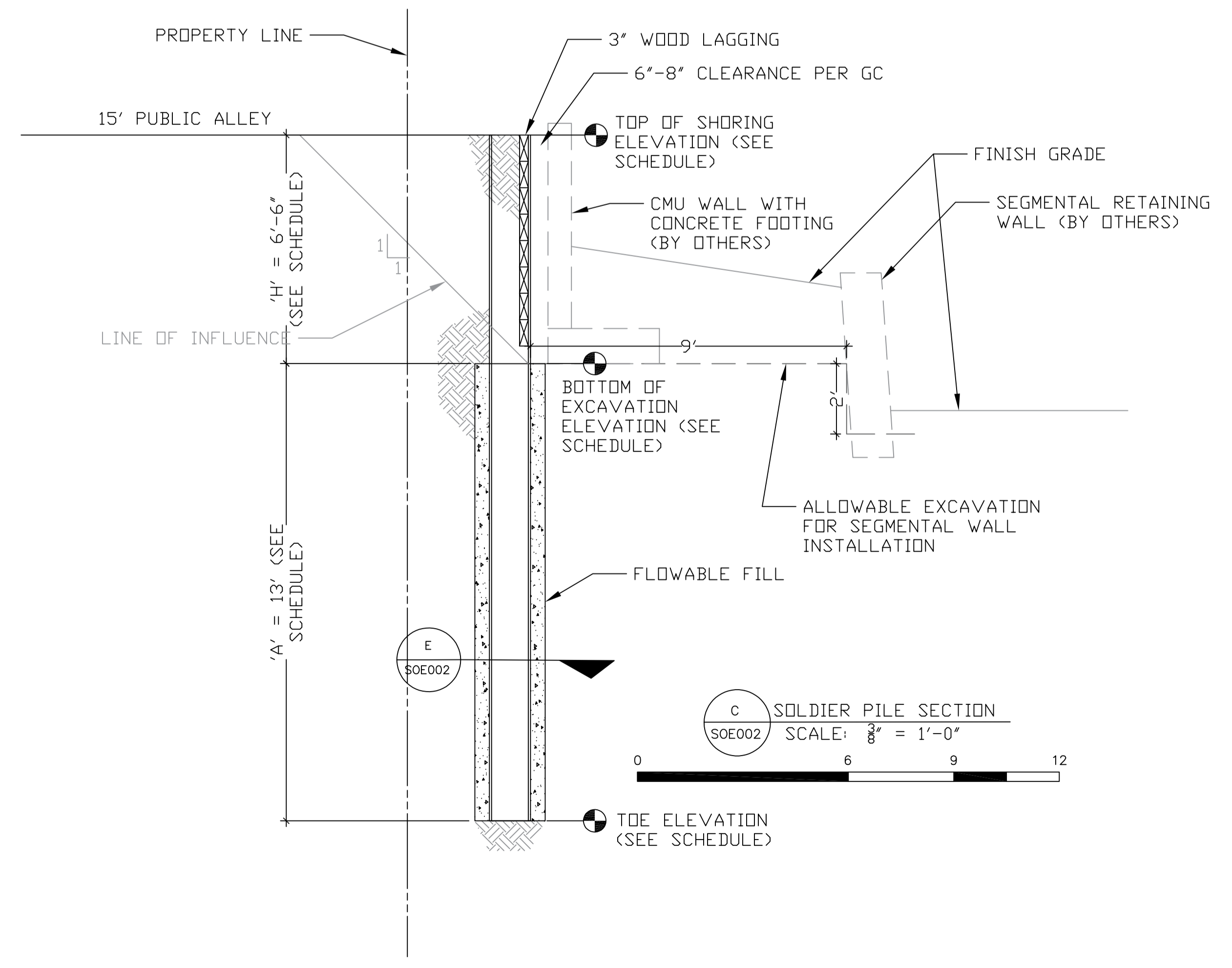
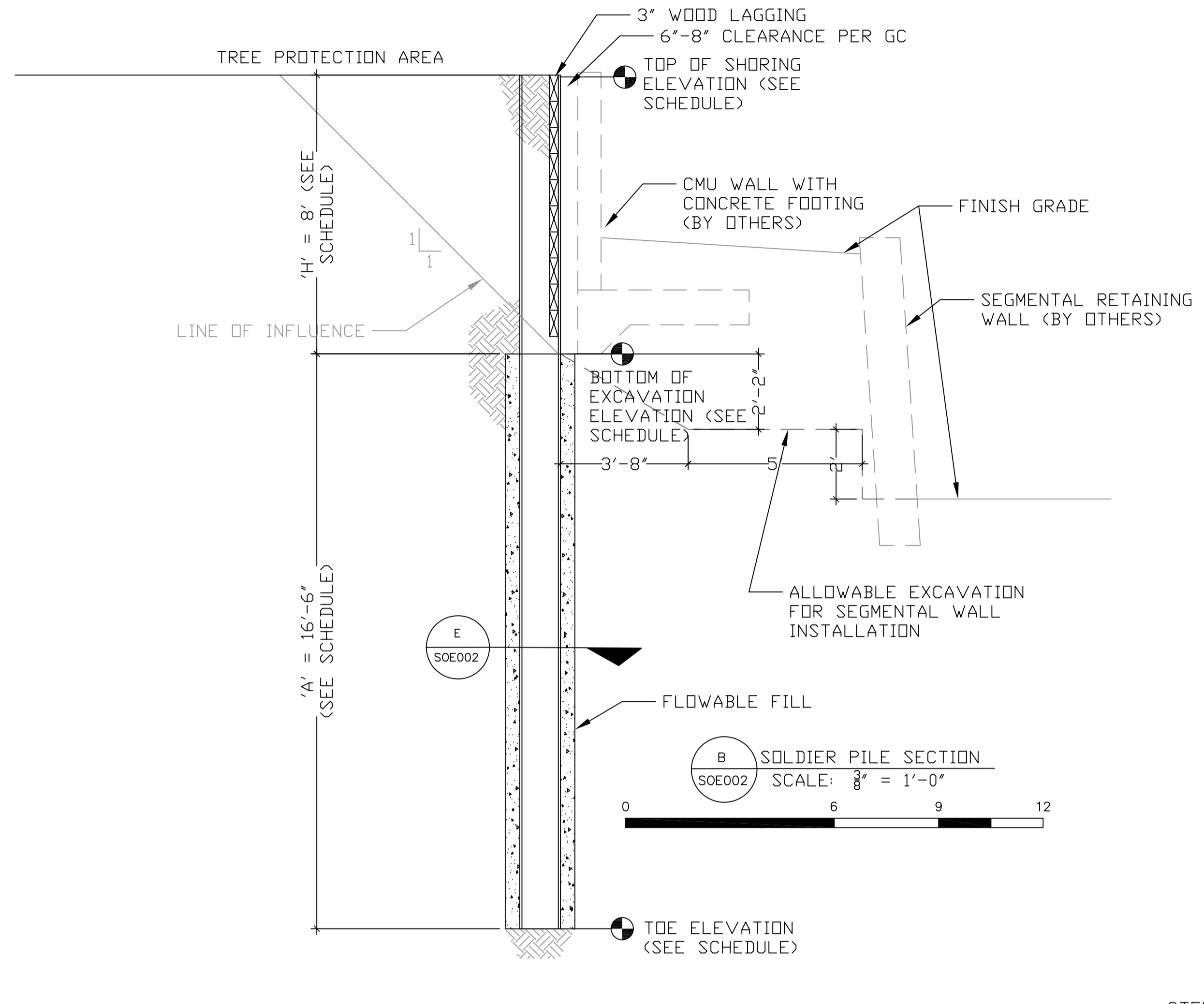
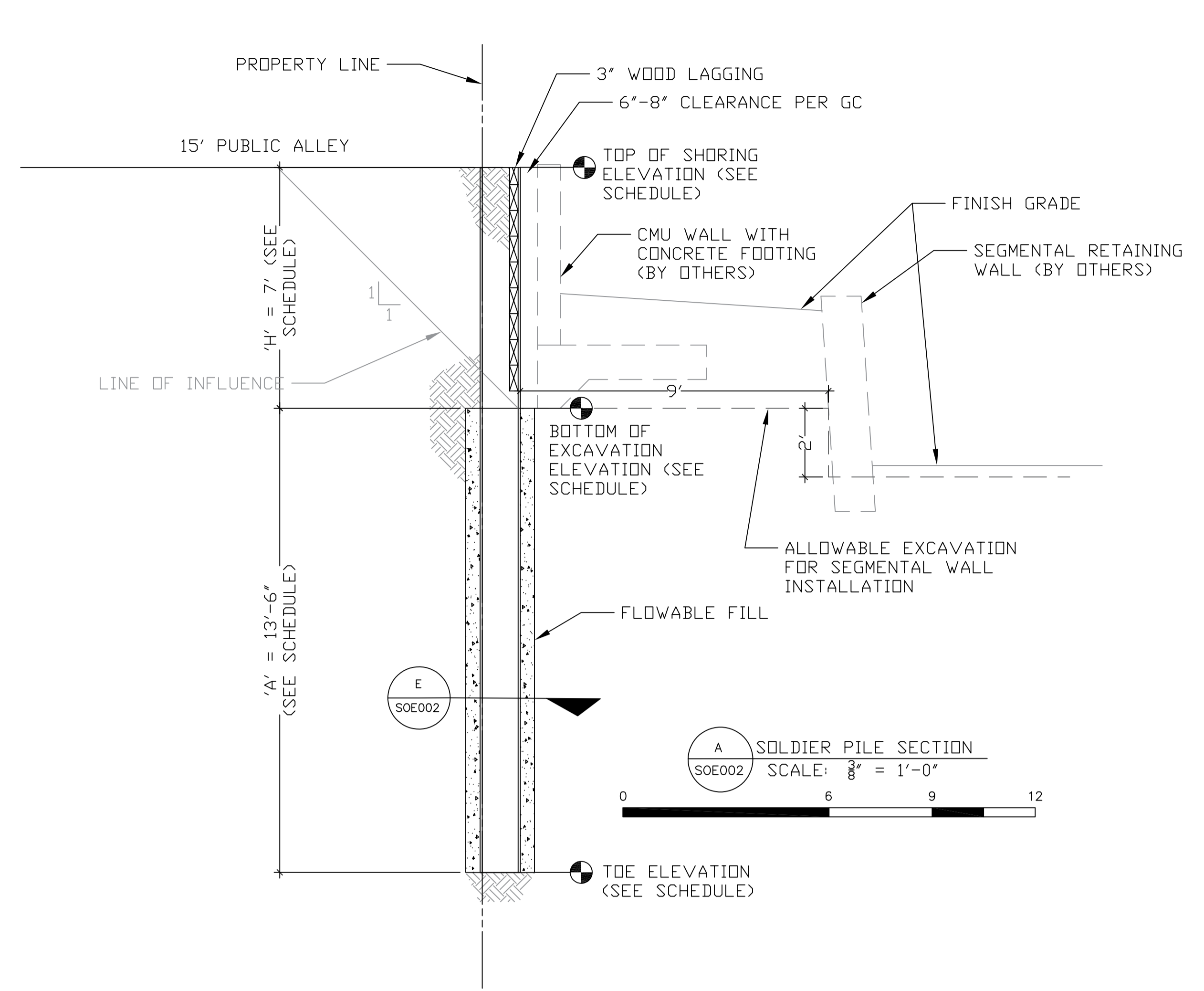


These plans are conditionally approved as submitted or noted during plan review and are subject to field inspection. Approved plans must be kept on site and are needed for all inspections. No changes or modifications to these plans. Changes require a revision permit with the revised plans. Trade Permits are required for trade work. e.g. Electrical or Plumbing

HPRB Review - Timothy Dennee - 04-09-2024
 Zoning Review - Ernesto Warren - 04-09-2024
 Structural Review - Tong Li - 04-09-2024
 DOEE SE-SW Review - Saba Gharavi - 04-09-2024

AFW ENGINEERING, INC
 Ph: (301) 316-5650
 4600 Beech Way
 Temple Hills, MD 20748



SHEETING & SHORING

Sheet Title: SECTIONS
 Project: MARET ATHLETIC FIELDS
 5901 UTAH AVE, NW
 WASHINGTON, DC 20015

Date: 02-02-24
 Engineer: E.P.R
 Drawn By: L.R.E.
 Scale: AS SHOWN

Sheet No. SOE002
 Board: District of Columbia
 File No. CASE NO. 21100
 EXHIBIT NO. 21F

APPROVED FOR WORK TO BE PERFORMED BY ATLAS FOUNDATIONS OF WASHINGTON, LLC
 BY: [Signature]
 COPYRIGHT BY AFW ENGINEERING, INC AND NOT TO BE COPIED OR REPRODUCED WITHOUT WRITTEN PERMISSION.